

# SILVERCREST®



## COMPUTERISED SEWING MACHINE SCNM 100 A1

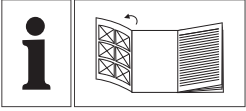
EN

### SEWING MACHINE

Operating and safety instructions

# IAN 413627\_2204

EN



EN

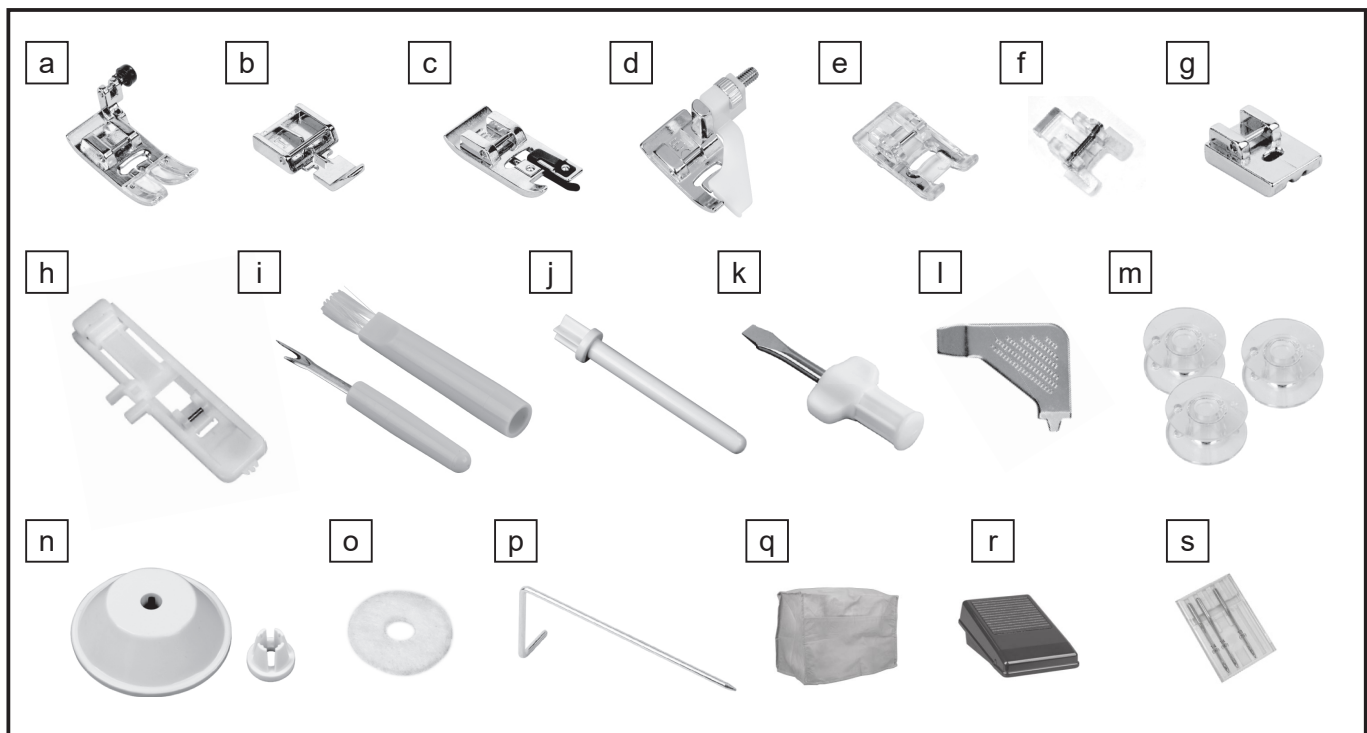
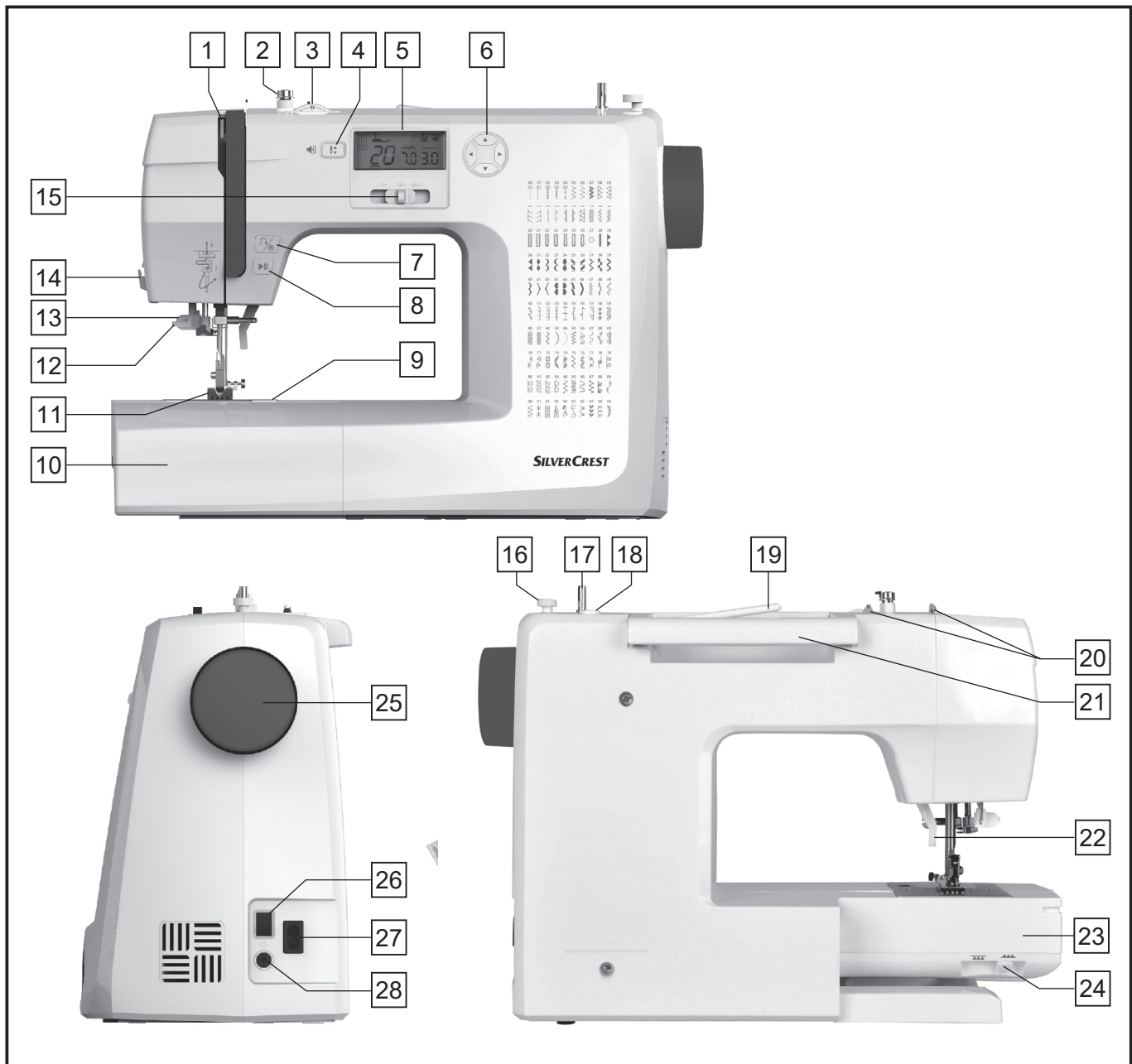
Before reading, unfold the page containing the illustrations and familiarise yourself with all functions of the device.

---

Further helpful hints for using your Silvercrest sewing machine can be found under the following link or QR code.

<http://scnm100a1.sewing.guide>







**Introduction**

Description of the user .....	8
Explanation of the safety instructions .....	8
Intended use .....	8
Package contents and accessories .....	9
Package contents .....	9
Accessory set .....	9
Optional accessories .....	9
Description of parts .....	9
LCD screen .....	10
Operation buttons .....	10
Technical data .....	12
Explanation of the graphic symbols .....	12

**Safety instructions**

Safety at the workplace .....	13
Electrical safety .....	14
Safety of persons .....	14
Careful handling and use of the device .....	14
Safety instructions for service .....	15
Safety instructions for all applications .....	15
General .....	15
Accessories .....	15
Before use .....	16
During use .....	16
After use .....	16

**Before starting up**

Selection of an installation site .....	17
Connecting the sewing machine to the power supply .....	17
Installing the sewing table .....	17
Inserting the needle .....	18
Attaching and removing the presser foot holder .....	18
Attaching and removing the presser foot .....	19
Inserting the edge/quilt guide .....	19

**Starting up**

Matching the needle, fabric and thread .....	20
Using the two-step presser foot lever .....	21
Raising or lowering the feed dog .....	21
Operating speed of the sewing machine .....	22
Winding the lower thread .....	22
Inserting the bobbin with the lower thread .....	24
Threading the upper thread .....	25
Bringing up the lower thread .....	28

**Sewing basics**

Thread tension .....	29
Basic settings .....	29
Normal thread tension for straight stitch sewing .....	29
Loose thread tension for straight stitch sewing .....	29
Tight thread tension for straight stitch sewing .....	29
Normal thread tension for zig zag and decorative sewing .....	29
Stitch chart .....	30
Selecting stitch .....	30

# Table of contents

Altering the stitch length and width .....	31
Altering the stitch length .....	31
Altering the stitch width .....	31
Straight stitch .....	32
Zigzag stitch .....	33
Starting to sew .....	34
Useful skills .....	36
Sewing thick fabrics .....	36
Reverse sewing .....	36
Sewing curves .....	36
Sewing curves with a zigzag stitch .....	36
Sewing corners .....	37
Sewing stretch fabrics .....	37
Sewing thin fabrics .....	37
Sewing heavy fabric .....	38

## Sewing applications

Sewing stretch fabrics .....	39
Straight stretch stitch .....	39
Zigzag stretch stitch .....	39
Sewing elastic band to fabric .....	40
Overcasting .....	41
Sewing overcasting stitch with the all-purpose presser foot: .....	41
Sewing overcasting stitch with the overcasting foot: .....	41
Blind hem .....	42
Sewing buttonholes .....	43
Sewing a buttonhole on non-stretch fabrics: .....	44
Sewing a buttonhole on stretch fabrics: .....	45
Reinforcing seams .....	46
Button sewing .....	47
Zipper sewing .....	48
Centered zipper sewing: .....	48
Concealed zipper sewing on one side: .....	49
Concealed zipper .....	50
Satin stitch sewing .....	51
Gathering .....	51
Smocking .....	52
Quilting, sewing pieces of fabric together and sewing patchwork .....	53
Quilting: .....	53
Sewing pieces of fabric together: .....	53
Sewing patchwork: .....	54
Applique .....	55
Fagoting .....	55
Scallop stitch .....	56
Scallop hem .....	56

## Maintenance

Clean the machine surface .....	57
Cleaning the looper, bobbin case and feed dog .....	57
Storage .....	57

## Warning function

Signal tones .....	58
--------------------	----

## Troubleshooting

Troubleshooting guide .....	59
-----------------------------	----

## Environment, Disposal, Conformity

Disposal of electrical devices.....	60
Disposal of the packaging.....	60
Notices of conformity.....	60

## Notes on warranty and service

Warranty of Crown Technics GmbH.....	61
Warranty conditions.....	61
Warranty period and statutory claims for defects.....	61
Scope of warranty.....	61
Handling the warranty claims.....	61
Service number.....	62
Manufacturer .....	62

## Index

Index .....	63
-------------	----

# Introduction

Congratulations on the purchase of your new sewing machine.

You have chosen a high-quality device. The operating and safety instructions are part of this sewing machine. It contains important instructions for safety, use and disposal. Before using the device, familiarize yourself with all operating and safety instructions. Use the device only as described and for the specified areas of application. Hand over all documents when passing the unit on to third parties.


## Description of the user

---


These operating and safety instructions are intended for the user of the sewing machine SCNM 100 A1.

## Explanation of the safety instructions

---

 **DANGER** indicates a hazardous situation which, if not avoided, will result in immediate death or serious injury.

 **WARNING** indicates a hazardous situation which, if not avoided, could result in death or serious injury.

 **CAUTION** indicates a hazardous situation which, if not avoided, may result in minor or moderate injury.

**NOTE** indicates information that is important but not related to potentially dangerous situations.

## Intended use

---

The sewing machine is **intended**:

- for use as a movable device.
- for sewing typical household textiles.
- only for private household use.

The sewing machine is **not intended**:

- to be installed at a fixed location
- for outdoors
- for the processing of other materials (e.g. leather, canvas, sailcloth and similar heavy fabrics).
- for commercial or industrial use.



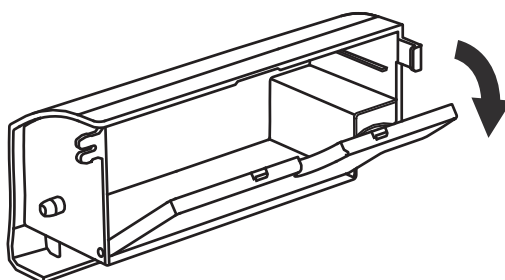
## Package contents and accessories

### ❖ Package contents

- 1 Sewing machine
- 1 Power cord
- 1 Foot controller
- 1 User manual
- 1 Accessory set
- 1 Dust cover

### ❖ Accessory set

The inside space of the sewing table (10) is used as an accessory box. The included accessories can be found inside the snap-in compartment.



- |   |  |
|---|--|
| a | All-purpose presser foot (T) (already installed) |
| b | Zipper foot (I)                                  |
| c | Overcasting foot (E)                             |
| d | Blind hem foot (F)                               |
| e | Satin stitch foot (A)                            |
| f | Button sewing foot (H)                           |
| g | Concealed zipper foot                            |
| h | Buttonhole foot (D)                              |
| i | Seam ripper/brush                                |
| i | Second spool pin                                 |

- |   |   |
|---|---|
| k | Screwdriver   |
| l | L-Screwdriver   |
| m | Bobbins (4x) (1x already installed)   |
| n | Spool pin cap (small & large)   |
| o | Felt cushion  |
| p | Edge/quilt guide  |
| q | Dust cover  |
| r | Foot controller   |
| s | Needles: 3x single needles (90/No. 14)<br>(1 already installed), 1x single needle (75/No. 11) |

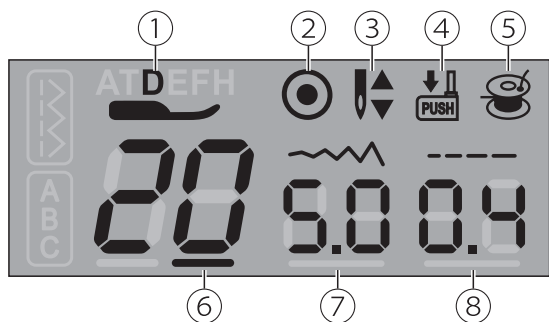
### ❖ Optional accessories

In our accessories shop [www.sewingguide.shop](http://www.sewingguide.shop) you will find information about accessories that you can reorder.

## Description of parts

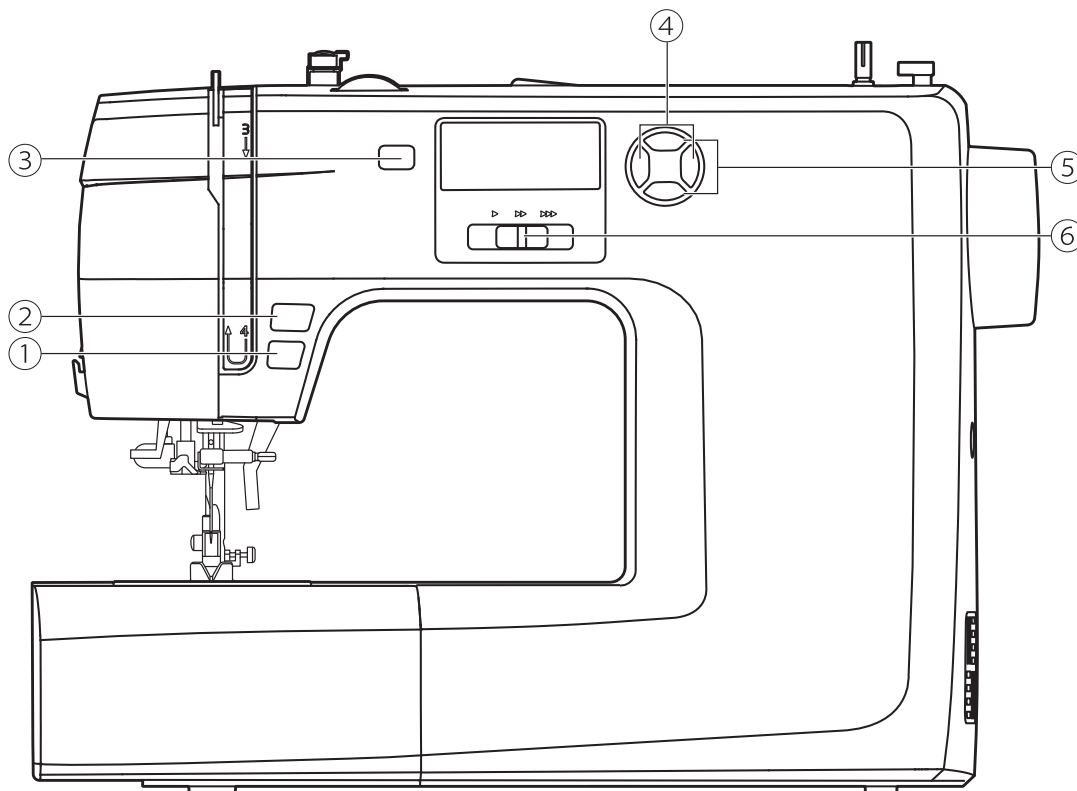
- |    |                                 |    |                             |
|----|---------------------------------|----|-----------------------------|
| 1  | Thread take-up lever            | 15 | Speed adjustment slider     |
| 2  | Bobbin thread guide             | 16 | Bobbin winder stopper       |
| 3  | Thread tension dial             | 17 | Bobbin winder spindle       |
| 4  | Needle up/down position button  | 18 | Hole for second spool pin   |
| 5  | LCD screen                      | 19 | Horizontal spool pin        |
| 6  | Operation buttons               | 20 | Upper thread guide          |
| 7  | Reverse sewing/Auto-lock button | 21 | Handle                      |
| 8  | Start/Stop button               | 22 | Two-step presser foot lever |
| 9  | Needle plate                    | 23 | Free arm                    |
| 10 | Sewing table and accessory box  | 24 | Feed dog lever              |
| 11 | Presser foot                    | 25 | Handwheel                   |
| 12 | Needle threader                 | 26 | Main power switch           |
| 13 | Buttonhole lever                | 27 | Power cord socket           |
| 14 | Thread cutter                   | 28 | Foot controller socket      |

**LCD screen**



- ① Recommended presser foot
- ② Auto-Lock button
- ③ Needle up/down position button
- ④ Buttonhole lever
- ⑤ Winding the lower thread
- ⑥ Stitch number
- ⑦ Stitch width
- ⑧ Stitch length

**Operation buttons**



**① Start/Stop button**

Press the Start/Stop button to start sewing.

Press the Start/Stop button again to stop the sewing machine.

**NOTE**

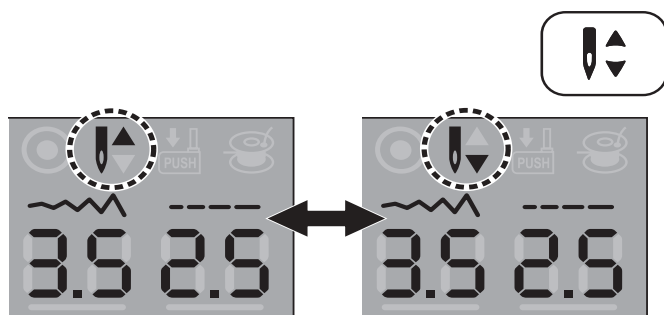
The sewing machine sews slowly at the beginning of the sewing. The sewing speed can be adjusted via the speed adjustment slider. This allows you to operate the sewing machine without a foot controller.



**② Reverse sewing/Auto-lock button**

If reverse sewing button is pressed when stitches 00-05 are selected, the sewing machine sews backwards at low speed. The device sews forward again after releasing the reverse sewing button.

While the stitch number 06-19 or 29-99 is selected, the device will immediately sew 3 locking stitches and then stop automatically when the reverse sewing button is pressed.



### ③ Needle up/down position button

a. Use the Needle up/down position button to decide whether the needle should stop at the highest or lowest position (in the fabric) when stopping sewing.

#### NOTE

If you press the Needle up/down position button during sewing, the sewing machine stops automatically.

Press the Needle up/down position button so that the arrow points upwards; then the device stops with the needle in the highest position.

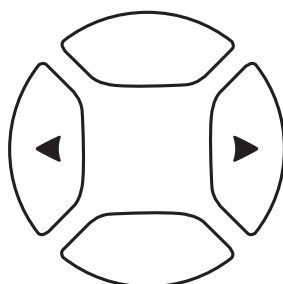
Press the Needle up/down position button so that the arrow points downwards; then the device stops with the needle in the lowest position.



b. Switching the buzzer off/on:

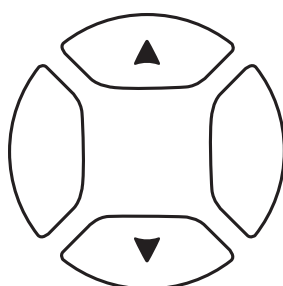
Press the Needle up/down position button for about 3 seconds until the device beeps to confirm that the sound has been turned off.

Press the Needle up/down position button for about 3 seconds until the device signals with two short beeps that the sound is on.



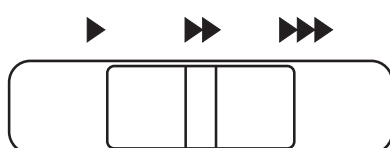
### ④ Cursor buttons

Use the right/left button to move the cursor in the LCD screen to the item you want to change (stitch number, stitch length or stitch width).



### ⑤ Value setting buttons

Use the up/down button to change the values of the stitch number, stitch length and stitch width fields in the LCD screen.



### ⑥ Speed adjustment slider

The sewing speed can be adjusted with the speed adjustment slider.


Slide the lever to the right to increase the sewing speed.

Slide the lever to the left to reduce the sewing speed.



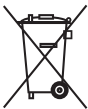




#### NOTE









The sewing speed can also be adjusted with the foot controller. The speed adjustment slider also limits the maximum sewing speed that can be achieved via the foot controller.

## Technical data

Rated voltage		100-240V~ / 50-60 Hz
Power rating	- Total	70 watts
Dimensions	- Handle folded in	approx. 398 x 289 x 181 mm (WxHxD)
Cable length	- Power cord	approx. 1.98 m
	- Foot controller connection cable	approx. 1.47 m
Weight	- Sewing machine	approx. 5.58 kg
Material		Aluminium / plastic
Operating elements	- Main power switch	available
	- Foot controller for sewing speed	available
Display elements	- Sewing light	available
Looper system		CB Looper
Needle system		130/705H
Radio interference suppression		According to EU directive
TÜV SÜD approved		Yes
Product guarantee		3 years
Protection class		II 

## Explanation of the graphic symbols

Symbol	Description
	Read the user manual before use.
	The device complies with the European safety requirements.
	Do not dispose of the device in household waste.
	Double insulation (no earth conductor required).
	This device has been certified by TÜV Rheinland.
	Proven safety. Device has been tested by an accredited institute for compliance with the generally recognised rules of technology.
	Store and transport with this side up.

Symbol	Description
	This device is fragile. Handle with care.
	This recycling symbol marks, for example, an item or material parts as valuable for recycling. Observe the labelling of the packaging materials when separating waste. These are marked with abbreviations (a) and numbers (b) with the following meaning: 1-7 Plastics / 20-22: Paper and cardboard / 80-98: Composite materials. Recycling helps to reduce the consumption of raw materials and to protect the environment.
	This symbol reminds you to dispose of the packaging in an environmentally friendly way.
	The materials and components of this device can be recycled.
	Can be disposed of (completely empty) in the separate collection for packaging.
	Risk of suffocation
	To avoid the risk of suffocation, keep this plastic bag away from babies and young children. Do not use this bag in cots, beds, prams or playpens. The bag is not a toy.
	Read the user manual before use.

## Safety instructions

Read all the safety instructions and information before using the sewing machine.

- Failure to comply with the safety instructions and information may cause electric shock, fire and/or serious injury.
- Keep all safety instructions and information in a suitable place near the appliance for future reference.
- Also hand over the user manual when passing on the device to third parties.
- The term "device" used in the safety instructions refers to the sewing machine (with power cord and foot controller).

## Safety at the workplace

- This sewing machine is intended for household use only.
- Be sure to use the sewing machine in the temperature range from 5°C to 40°C. If the temperature is excessively low, the sewing machine can fail to operate normally.
- Do not install the device at an altitude of more than 2000 meters above sea level.
- Do not use the device if it is wet or in humid environment. Always use the device only in dry rooms.
- Place the sewing machine on a stable, flat, dry and stable work surface.
- Keep your work area clean and well lit. Disorder or unlit work areas can lead to accidents.
- Install the power cord so that there is no tripping hazard.
- Keep children and other persons away while using the device. You may lose control of the device if distracted.

### **Electrical safety**

---

- Only use the original power cord supplied with the sewing machine. Other power cords may damage the device. Do not use the supplied power cord with other devices.
- Make sure that the mains voltage corresponds to the voltage indicated on the labelling of the device (devices labelled 230V or 240V can also be operated with 220V).
- The connection plug of the device must fit into the socket. The plug must not be modified in any way. Unmodified plugs and matching sockets reduce the risk of electric shock.
- Avoid body contact with grounded surfaces such as pipes, heaters, cookers and refrigerators. There is an increased risk of electric shock if your body is grounded.
- Keep the unit away from rain or wet conditions. The ingress of water into the device increases the risk of electric shock.
- Do not misuse the power cord to pull the plug out of the socket. When unplugging, grab the plug and not the power cord.
- Keep the power cord away from heat, oil, sharp edges or moving parts of the device. Damaged or tangled power cord increases the risk of electric shock.

### **Safety of persons**

---

- Be careful, pay attention to what you are doing and use common sense when working with the device. Do not use the device when you are tired or under the influence of drugs, alcohol or medication. A moment of carelessness when using the device can lead to serious injury.
- Avoid unintentional starting up. Make sure the device is switched off before connecting it to the power supply, picking it up or carrying it. If you connect the device to the power supply when it is switched on, this can lead to accidents.
- Wear appropriate clothing. Do not wear loose clothing or jewelry. Keep your hair, clothing and gloves away from moving parts. Loose clothing, jewelry or long hair can be caught by moving parts.

### **Careful handling and use of the device**

---

- Do not overload the device. Use the designated sewing machine for your sewing work. With a suitable sewing machine you will work better and safer in the specified power range.
- Do not use a device whose switch is defective. A device that can no longer be switched on or off is dangerous and must be repaired.
- Never place anything on the foot controller.
- Unplug the device from the wall socket before making any adjustments to the device, changing accessories or putting the device away. This precaution prevents the device from starting unintentionally.
- Keep the unused device out of the reach of children. Do not allow persons who are not familiar with the device or have not read these instructions to use the device. Sewing machines are dangerous when used by inexperienced people.
- Maintain the device with care. Check whether moving parts of the device function properly and are not jammed, whether parts are broken or damaged in such a way that the function of the device is impaired. Have damaged parts repaired before using the device. Many accidents are caused by poorly maintained sewing machines.

 **DANGER! DANGER OF LIFE AND ACCIDENT FOR TODDLERS AND CHILDREN!** Cleaning and user maintenance must not be carried out by children without supervision.

- Use the device, accessories or insertion tools (e.g. needles, bobbins, etc.) according to these instructions. Take into account the working conditions and the activity to be carried out. Use of the device for applications other than those for which it is intended may lead to dangerous situations.

## Safety instructions for service

---

- Have the device repaired only by qualified personnel and only with original spare parts. This ensures maintaining the safety of the unit.
- If the LED lamp is damaged or defective, it must be replaced by the manufacturer or its customer services to avoid hazards.
- The device may only be used with a specific foot controller and/or power cord in order to avoid hazards. If the foot controller and/or power cord is damaged or defective, it must be replaced by the manufacturer, its customer services or a similarly qualified person.

## Safety instructions for all applications


---

- This sewing machine is to be used for sewing household textiles. Observe all warnings, instructions, illustrations and data provided with the device. Failure to observe the following instructions may result in electric shock, fire and/or serious injury.
- This device is not intended for processing other materials (e.g. leather, canvas, sailcloth and similar heavy fabrics). Applications for which this device is not designed pose a risk; there is a danger of injury.
- Do not use any accessories that are not specifically intended and recommended for this device by the manufacturer. Just because you can attach the accessory to your device does not guarantee safe use.
- Keep other people at a safe distance from your work area.
- Keep the power cord away from moving accessories.

## General

---

- This device can be used by children aged from 8 years and above and persons with reduced physical, sensory or mental capabilities or lack of experience and knowledge if they have been given supervision or instruction concerning use of the device in a safe way and understand the hazards involved. Children must not play with the device. Cleaning and user maintenance shall not be made by children without supervision.

 **DANGER! DANGER OF LIFE AND ACCIDENTS FOR TODDLERS AND CHILDREN!** Never leave children unattended with the packaging material. The packaging material poses a choking hazard. Children often underestimate the dangers. Always keep children away from the packaging material. This device is not a toy.

- Always disconnect the power plug before making any changes to the settings or changing accessories.
- Never operate the device if the ventilation openings are blocked. Keep the ventilation openings of the device and foot controller free of lint, dust and fabric waste.
- Always turn off the device when performing adjustments or work in the area of the needle, such as threading or changing needle, threading or changing bobbin, changing the presser foot and so on.

## Accessories

---

- Crown Technics GmbH can only guarantee the proper functioning of the device if the appropriate accessories are used.
- Only use the original power cord supplied with the sewing machine. Other power cords may damage the device. Do not use the supplied power cord with other devices.

### **Before use**

---

Obtaining practical information is recommended before using the device for the first time. If you are not familiar with the operation of sewing machines, we recommend that you attend an introductory course. Always check that the mains voltage matches the voltage indicated on the labelling of the device.

### **During use**

---

1. Check the power cord for damage before use. If the power cord is damaged, replace it with an original cord that is only available from the manufacturer or its customer services.
2. Never leave the device unattended when it is switched on. Unplug the device if you leave it unattended to avoid injury from accidental switch-on.
3. Keep body parts, hair, clothing and gloves away from moving parts. Make sure that you do not come into contact with the running needle.
4. Do not continue to use worn needles.
5. If the power cord is damaged or cut during work, do not touch the power cord but disconnect the power plug immediately.
6. Do not continue to use the device if the power cord is damaged; replace it with a new original power cord. Other power cords may damage the device.
7. In the event of an electrical or mechanical malfunction, switch off the device immediately and disconnect the power plug.

### **After use**

---

When leaving the sewing machine, immediately disconnect the mains plug from the socket. Disconnect the mains plug from the socket before carrying out maintenance and cleaning work.



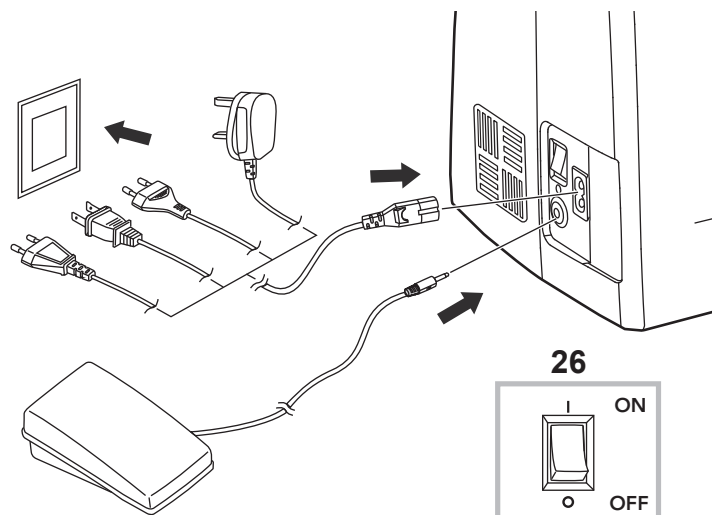
## Selection of an installation site

Avoid exposing the device to extremely dusty, dirty or greasy areas such as kitchens, garages or boiler rooms. Dust and grease can affect the operation.

Do not install in damp or wet rooms such as bathrooms. Always install the device in dry rooms only.

Do not install in areas where the temperature is below 5°C or above 40°C.

## Connecting the sewing machine to the power supply

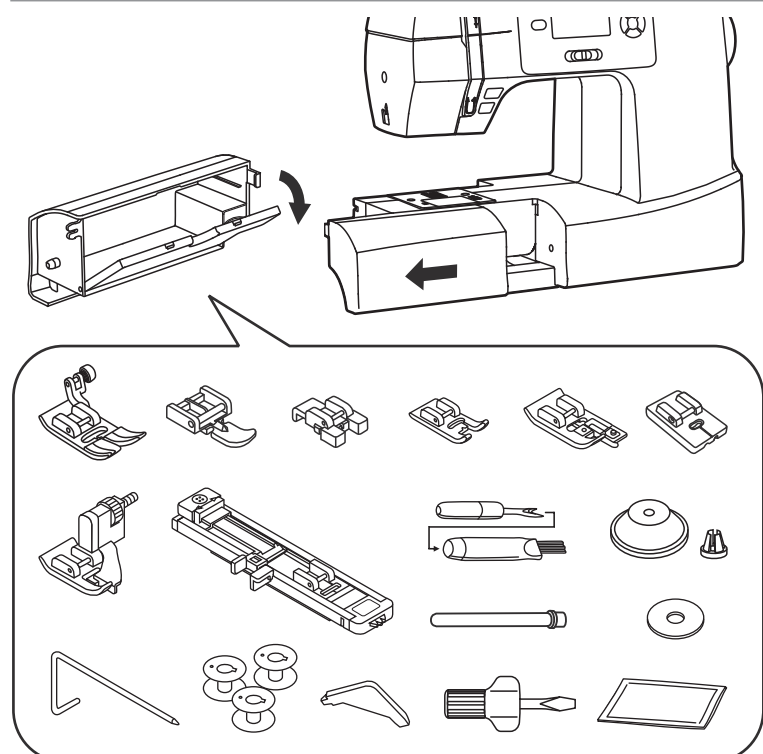


### Make sure that:

- the power cord is unplugged from the socket when the sewing machine is not in use.
- you contact a qualified electrician if you have any doubts about connecting the sewing machine to the power supply.
- the power plug is pulled out of the socket when you are not using the power supply.
- the sewing machine is only used with the appropriate ELECTRONIC foot controller (t) C-8001.

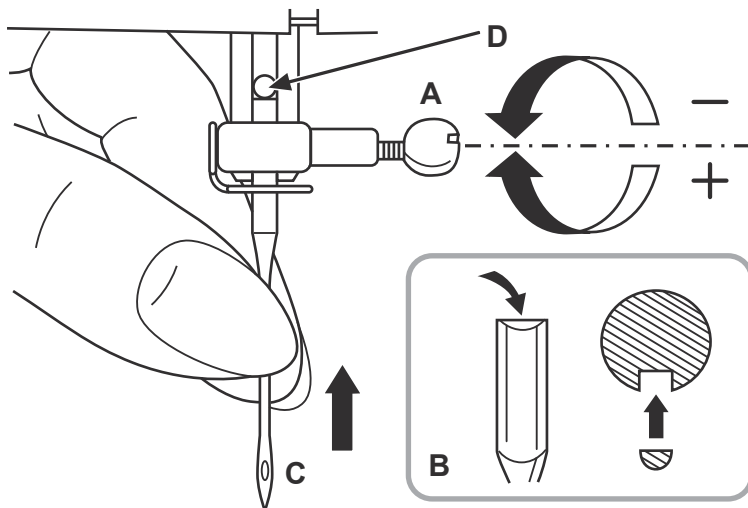
1. Connect the sewing machine into an electric outlet.
2. Turn on the device and the illumination by setting the main power switch (26) to the "I ON" position.

## Installing the sewing table



If you want to sew on the free arm (23), pull out the snap-in sewing table (10) in the direction of the arrow.

## Inserting the needle



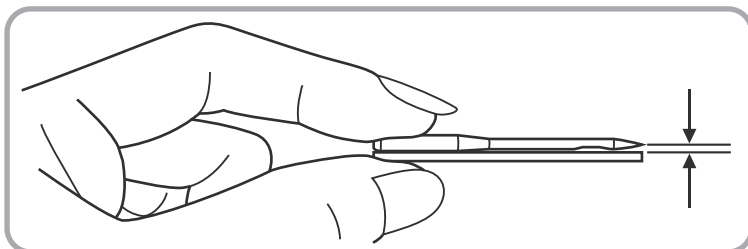
### **WARNING!**

Set the main power switch to the "0 OFF" position.

Change the needles regularly, especially at the first signs of problems when sewing.

### Insert the needle:

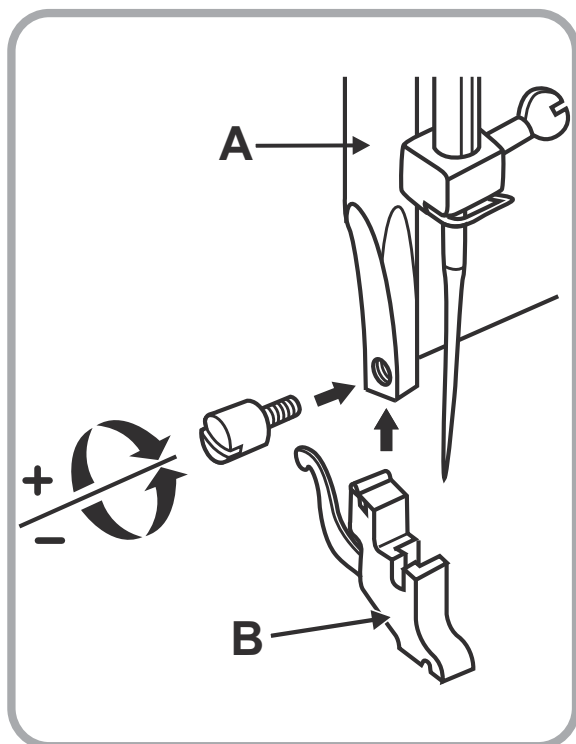
1. Loosen the needle clamp screw (A).
2. Insert the new needle with the flat side of the shaft facing backwards (B).
3. Insert the needle (C) up to the stop at the end of the shaft (D).
4. Tighten the needle clamp screw again.



### **NOTE**

Only use needles that are in perfect condition. Problems can occur with bent needles, blunt needles and damaged tips.

## Attaching and removing the presser foot holder



### **WARNING!**

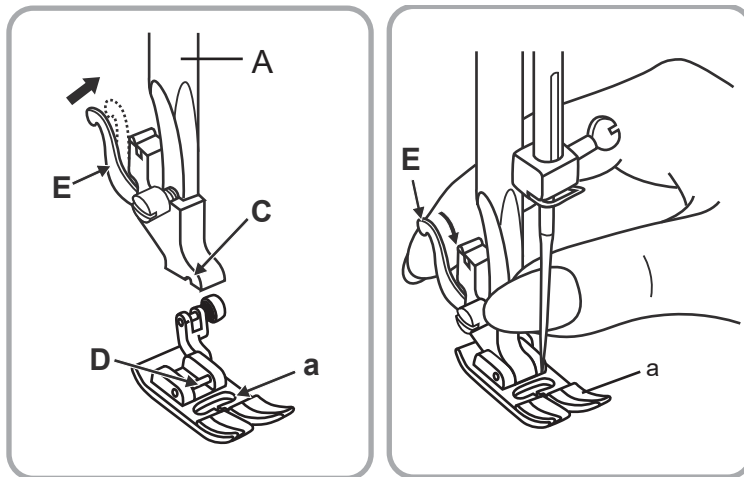
Set the main power switch to the "0 OFF" position.

### **NOTE**

The presser foot holder is pre-installed.

1. Attach the presser foot holder:  
Raise the presser foot bar (A) by lifting the two-step presser foot lever (22). Attach the presser foot holder (B) as illustrated.
2. Remove the presser foot holder:  
Raise the presser foot bar (A) by lifting the two-step presser foot lever (22). Loosen the screw and remove it. Pull the presser foot holder (B) down from the presser foot bar (A).

## Attaching and removing the presser foot



### **WARNING!**

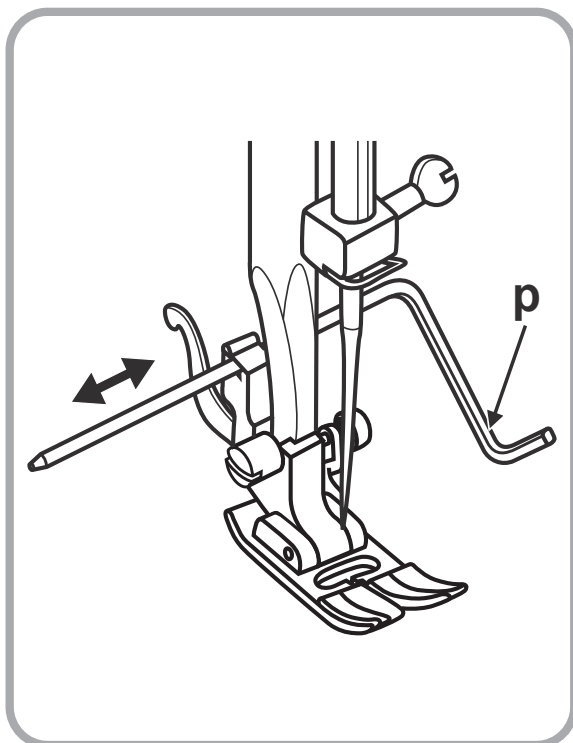
Set the main power switch to the "0 OFF" position.

### **NOTE**

All-purpose presser foot is already installed.

1. Attach the presser foot:  
Lower the presser foot bar (A) by lowering the two-step presser foot lever (22) until the indentation (C) is directly over the pin (D). Lower the presser foot bar (A) as far as it will go. The presser foot (a) will engage automatically.
2. Remove the presser foot:  
Raise the presser foot (a) by lifting the two-step presser foot lever (22). Carefully push the lever (E) forward. The presser foot (a) is released.

## Inserting the edge/quilt guide



### **WARNING!**

Set the main power switch to the "0 OFF" position.

### **NOTE**

Only insert the edge/quilt guide when you need it, for example for quilting, hemming, folding, etc.

Carefully insert the edge/quilt guide (p) as illustrated.

## Matching the needle, fabric and thread

### NOTE

Match needle size to thread size and weight of fabric. In general, fine threads and needles are used for sewing fine fabrics, and thicker threads are used for sewing heavy fabrics.

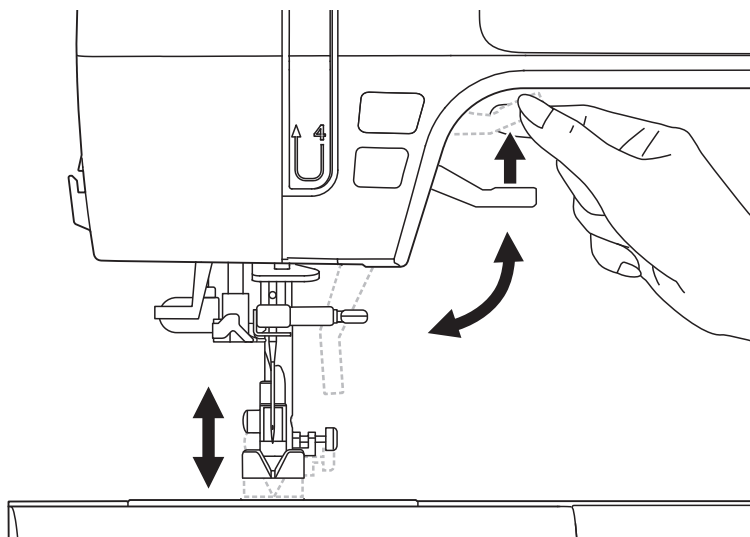
### Please note:

- Always test thread and needle size on a small piece of fabric which will be used for actual sewing.
- Use the same thread for needle (upper thread) and bobbin (lower thread).
- Use the stabilizer material for fine or stretchy fabrics, and select the correct presser foot.
- The tension of the upper thread must be set at 2-3 when sewing the lightweight fabrics, like silk and jersey etc.
- Use the pins to fix the fabrics first before sewing two or more pieces of fabrics together.

Needle, fabric and thread selection guide

Needle size	Fabrics	Thread
9-11 (65-75)	Lightweight fabrics: Thin cottons, voile, serge, silk, muslin, interlocks, cotton knits, jerseys, crepes, woven polyester, shirt and blouse fabrics.	Lightweight thread in cotton, nylon or polyester.
12 (80)	Medium weight fabrics: Cotton, satin, coarse muslin, canvas, double knits, light woolens.	Most threads sold are medium size and suitable for these fabrics and needle sizes. <ul style="list-style-type: none"> <li>• Use polyester threads on synthetic materials and cotton on natural woven fabrics for best results.</li> <li>• Always use the same thread on top and bottom.</li> </ul>
14 (90)	Medium weight fabrics: Cotton duck, woolen, heavier knits, terrycloth, denims.	
16 (100)	Heavy weight fabrics: Linen, woolen, linen and quilted fabrics, denim, upholstery (light to medium weight).	

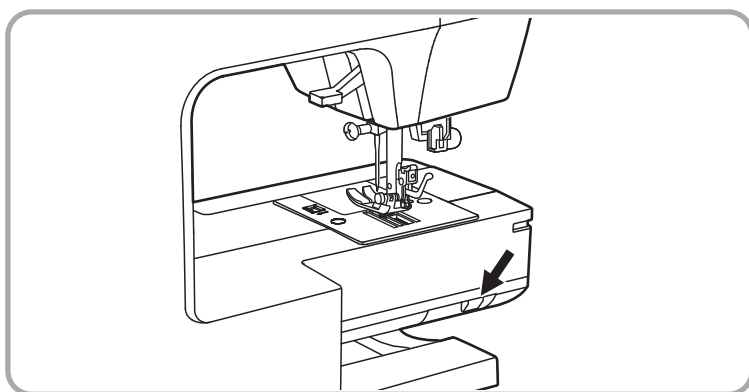
## Using the two-step presser foot lever



The presser foot can be raised and lowered with the two-step presser foot lever.

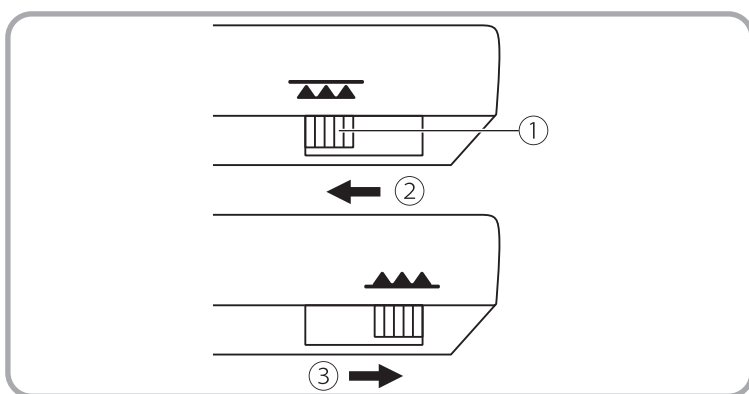
- Lift the two-step presser foot lever (22) upwards to raise the presser foot.
- Press the two-step presser foot lever (22) down to lower the presser foot.

## Raising or lowering the feed dog



The feed dog lever (24) can be seen on the base at the back side of the sewing machine.

The feed dog helps to feed the fabric while sewing. However, the feed dog is not necessary during all sewing operations. It is lowered, for example, during button sewing, free-motion darning, embroidering and monogramming.



Slide the feed dog lever (1) to lower the feed dog to position (2) or to raise the feed dog to position (3).

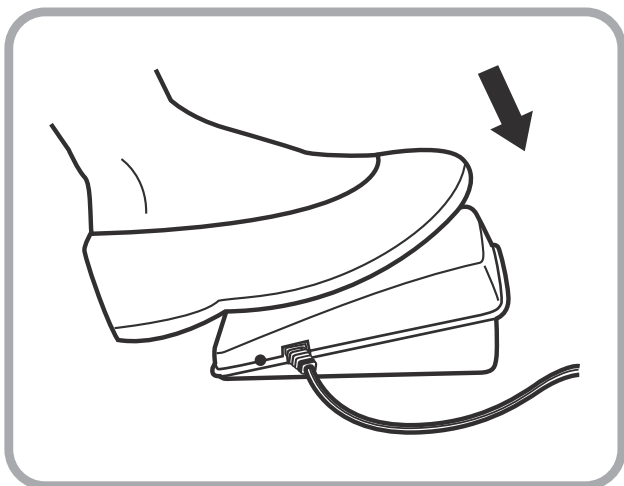
### NOTE

When feed dog lever is in raised position (3), the feed dog will arise automatically when you are sewing.

### NOTE

When you finish the work that does not require a feed dog, (e.g. button sewing, free motion darning, embroidery and monogramming), move the feed dog lever back to the raised position for general sewing.

## Operating speed of the sewing machine



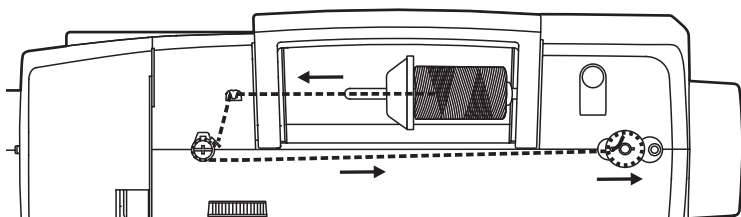
The operating speed of the sewing machine is controlled with the foot controller (r) or with the speed adjustment slider (15).

- Press the foot controller lightly for a lower operating speed.
- Press the foot controller harder for a higher operating speed.

### NOTE

The speed adjustment slider setting limits the maximum sewing speed and also limits the maximum sewing speed that can be achieved using the foot controller.

## Winding the lower thread

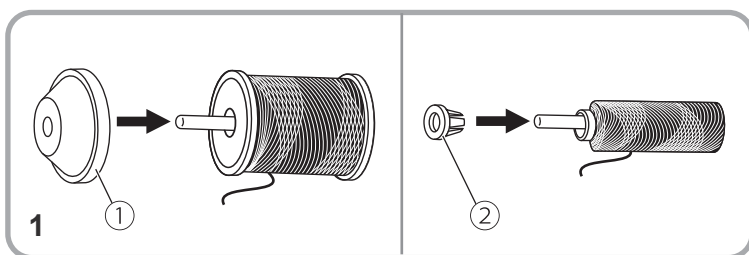


For good sewing results, the threading must be carried out correctly. Otherwise several problems will occur.

### NOTE

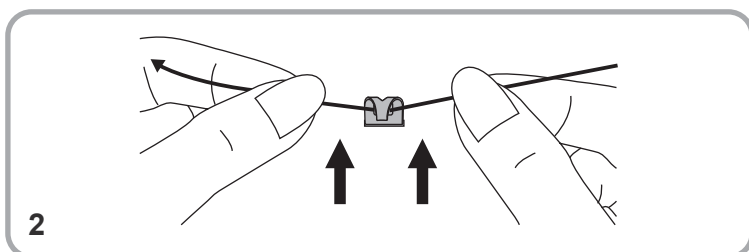
When the bobbin winder spindle is pushed to the right, it's in bobbin winding mode and the device is not allowed to sew and the handwheel will not turn. To start sewing, you must push the bobbin winder spindle back to the left.

### Wind the lower thread:

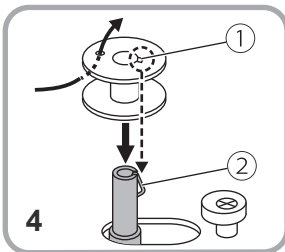
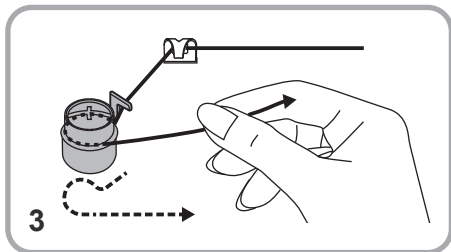


1. Slide the bobbin and the spool pin cap (n) onto the horizontal spool pin (19). For better sewing quality, choose a spool pin cap of a suitable size for the thread and attach it next to the bobbin.

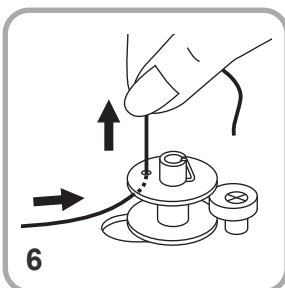
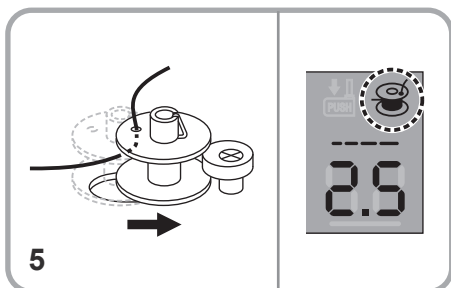
- ① Large spool pin cap
- ② Small spool pin cap



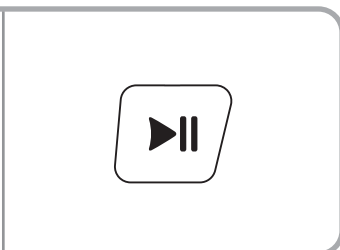
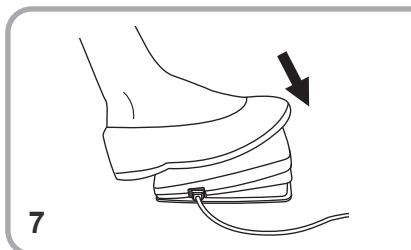
2. Pull the thread from the spool through the upper thread guide (20).



3. Wind the thread counter-clockwise around the bobbin thread guide (2).
4. Lead the thread from the inside through a hole of the empty bobbin (m) as illustrated. Place the bobbin on the bobbin winder spindle (17). Align the notch ① with the spring of the bobbin winder spindle (2). Gently press the bobbin down until you hear it clicks into its place.

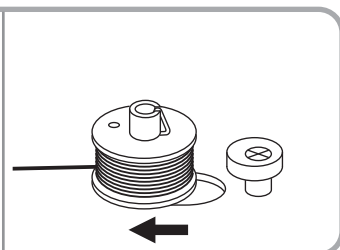
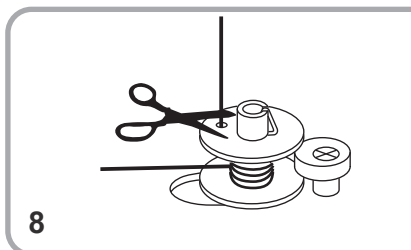


5. Push the bobbin (m) to the right in the direction of the bobbin winder stopper (16). When the bobbin is in the winding position, the LCD screen (5) shows the symbol for winding of the lower thread.
6. Hold the thread tail securely in one hand.

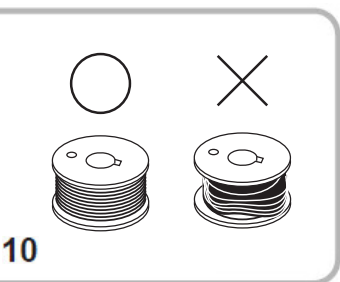
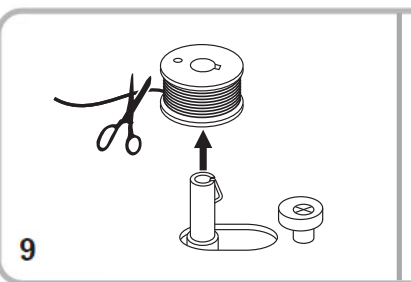


7. Start winding the lower thread by pressing the foot controller (r) or pressing the Start/Stop button (8).

**NOTE**  
The speed adjustment slider setting limits the maximum sewing speed and also limits the maximum sewing speed that can be achieved via the foot controller.



8. Stop the device after a few revolutions. Cut the thread as close as possible to the bobbin (m). Continue winding until the bobbin is full. Once the bobbin is full, it rotates slowly. Stop the device, then press the bobbin winder spindle (17) to the left.



9. Cut off the thread and remove the filled bobbin from the bobbin winder spindle (17).
10. Use only correct and neatly wound lower thread bobbins; otherwise the needle may break or the thread tension may not be correct. Then press the bobbin winder spindle to the left to start sewing.

## Inserting the bobbin with the lower thread

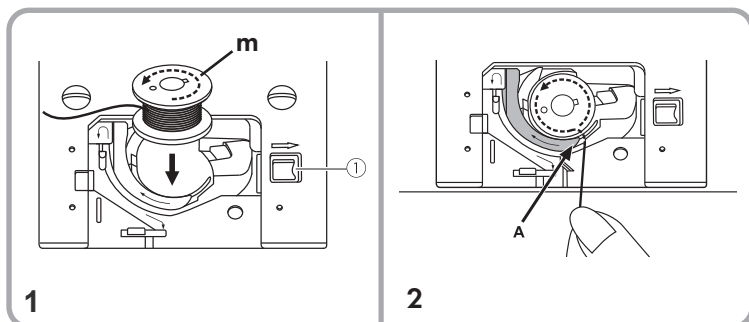
### NOTE

To insert or remove the bobbin, the needle must be at the very top; so move the needle to the top position by pressing the Needle up/down position button (4). Lift the presser foot. Then turn off the device.

### ! WARNING!

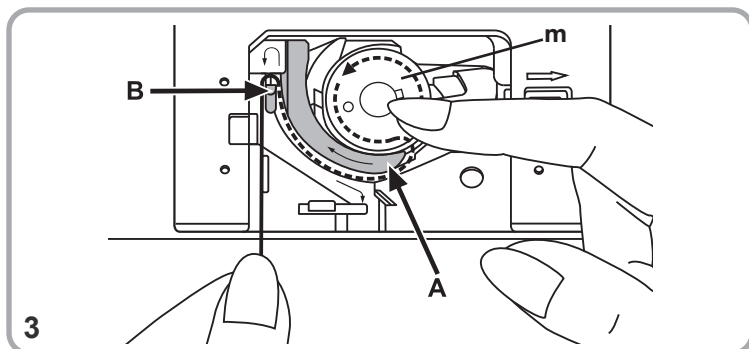
Turn the main power switch to "0 OFF" position when carrying out all the operations!

### Insert the bobbin with the lower thread:

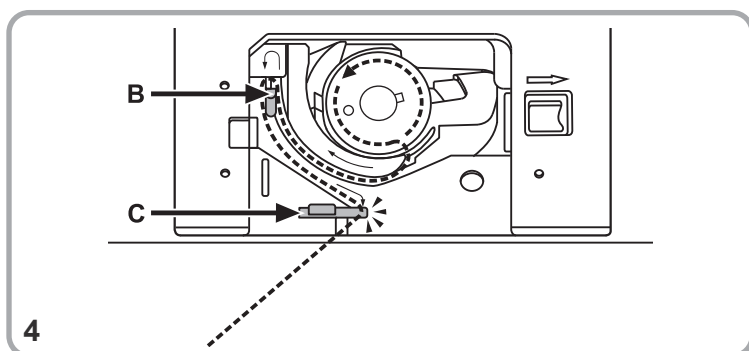


1. Remove the transparent bobbin cover by pressing the release lever ① to the right. Insert the bobbin (m) into the bobbin case so that the thread runs counter-clockwise (arrow direction).

2. Pull the thread through the slot (A).



3. With a finger hold gently on top of the bobbin (m), please follow the arrow markings and draw the thread into the lower thread guide from (A) to (B).



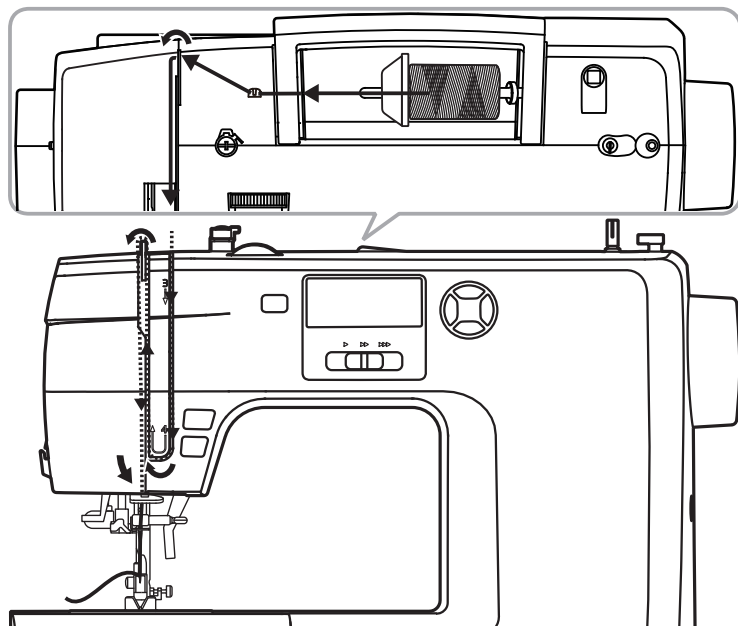
4. Pull the thread along the arrow marks from (B) to (C) into the needle plate thread guide. Cut off excess thread by pulling it over the blade at (C). Reseat the transparent bobbin cover.

### NOTE

The method for bringing up the lower thread is explained in the chapter "Bringing up the lower thread".



## Threading the upper thread



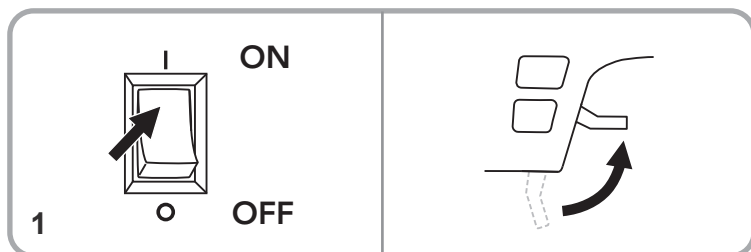
For good sewing results, the threading must be carried out correctly. Otherwise several problems will occur.

### NOTE

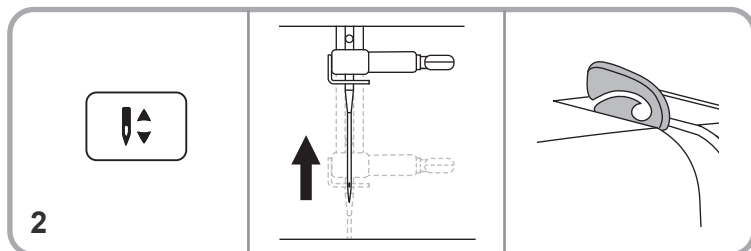
The needle threader can be used with home sewing machine needle sizes from 75/11 to 100/16.

### Thread the upper thread:

1. Set the main power switch (26) to the "I ON" position. Lift the two-step presser foot lever (22).



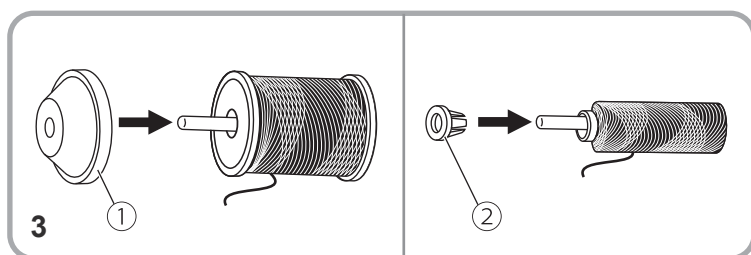
2. Press the needle up/down position button (4) to bring the needle and thread take-up lever (1) to highest position.



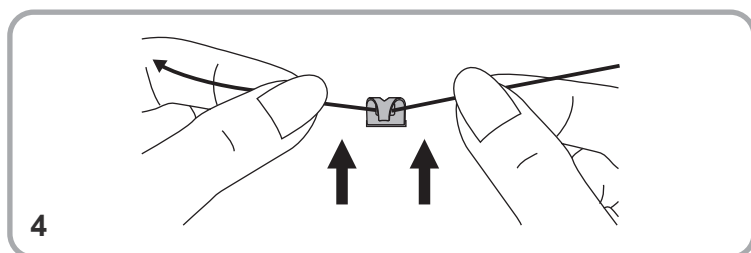
### ⚠ WARNING!

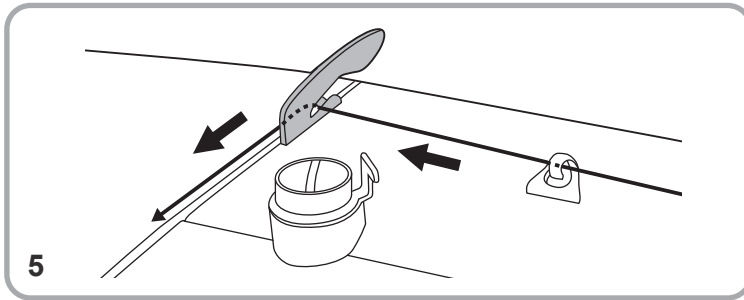
Turn the main power switch to "0 OFF" position when carrying out all the operations!

3. Slide the bobbin and the spool pin cap onto the horizontal spool pin (19). For better sewing quality, choose a spool pin cap (n) of a suitable size for the thread and attach it next to the bobbin.
  - ① Large spool pin cap
  - ② Small spool pin cap

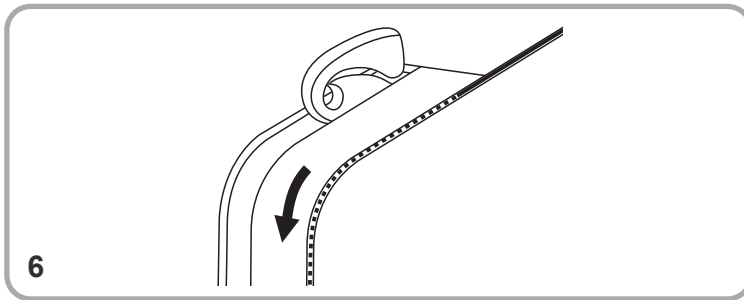


4. Pull the thread from the spool through the upper thread guide (20).

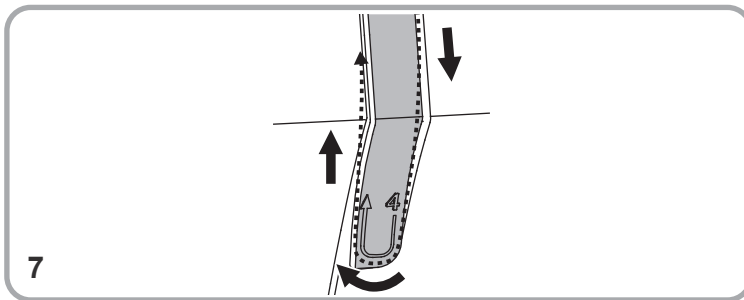




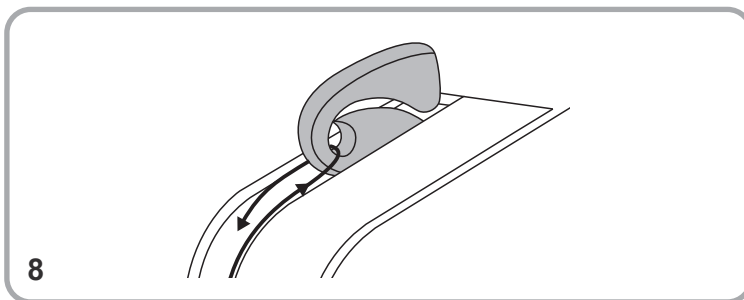
5. As illustrated, run the upper thread to the left around the preload spring of the upper thread guide (20) and then forward.



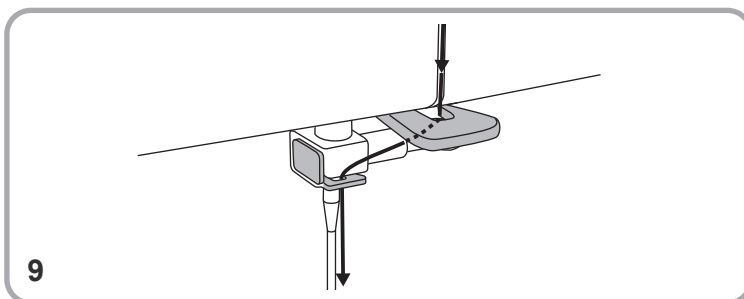
6. Lead the upper thread through the right slot further to forward and down. The thread must run between the silver discs so that it remains well tensioned.



7. Once you have reached the bottom, lead the upper thread to the bottom left around the take-up spring of the upper thread guide (20). Then pull it back up in the direction of the arrow as illustrated.

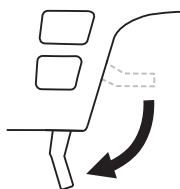


8. Pull the upper thread up along the left slot. Once at the top, hook it from right to left through the slotted eyelet of the thread take-up lever (1). Then lead the upper thread back to downwards.



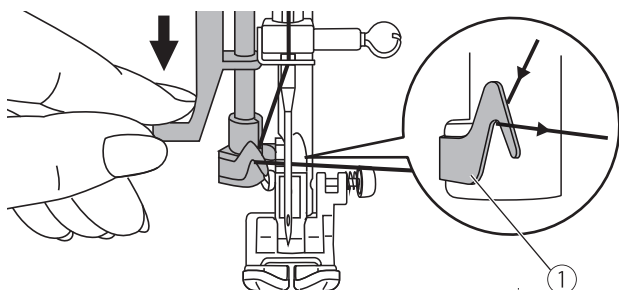
9. Lead the thread behind the larger horizontal thread guide (A) and then through the smaller thread guide (B) above the needle further down. Thread the needle with the needle threader (12).

10



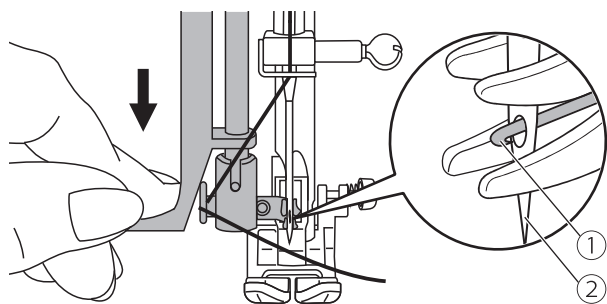
10. Lower the two-step presser foot lever (22).

11



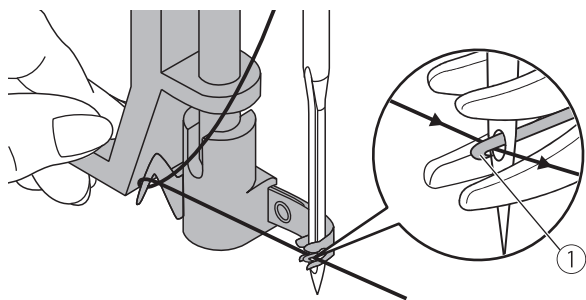
11. Press the needle threader (12) down a bit and lead the upper thread over the thread guide (1) as illustrated and hold it to the right.

12



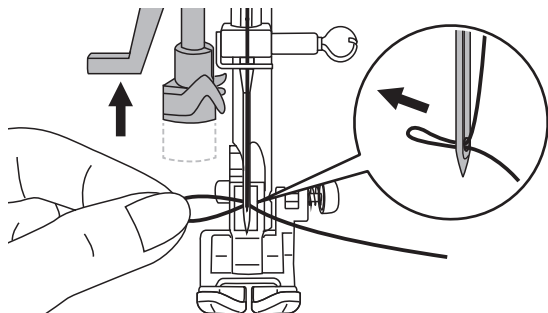
12. Press the needle threader lever (12) down as much as possible. The needle threader automatically rotates into the threading position, the tiny looper hook (1) slides through the eye of the needle (2).

13



13. Put the upper thread in front of the needle so that it is below the looper hook (1). Then hold the thread slightly upwards so that it hangs on the looper hook.

14



14. Keep the thread loose, then slowly release the needle threader (12). The looper hook turns back and pulls the upper thread through the eye of the needle, forming a loop behind the needle. Pull the end of the upper thread all the way back through the eye of the needle.

**NOTE**

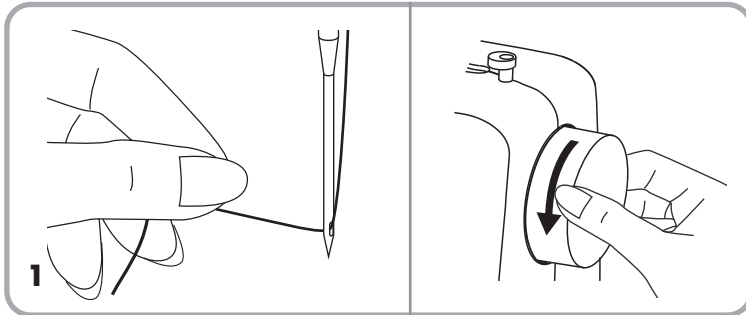
Your sewing machine is now threaded and ready to use. Follow the instructions on "Starting to sew" chapter to start sewing.

## Bringing up the lower thread

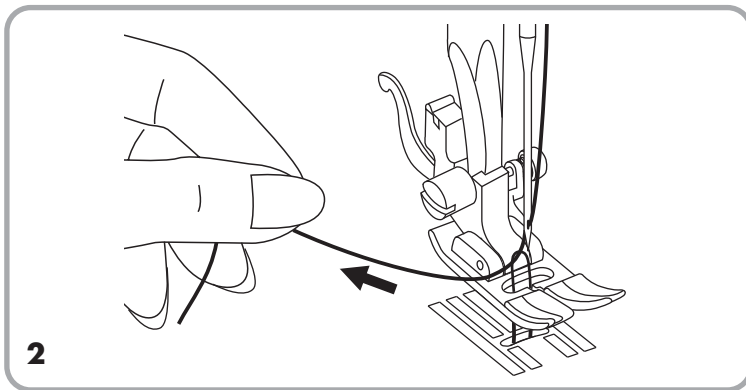
**NOTE**

If you are using a ruffle stitch or smocking stitch, first bring up the lower thread.

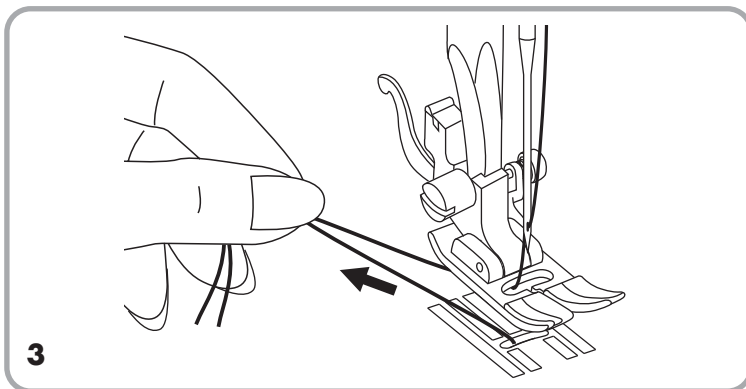
**Bring up the lower thread:**



1. Hold the upper thread with your left hand. Turn the handwheel (25) counter-clockwise to lower the needle under the needle plate (9). Turn the handwheel further anticlockwise to raise the needle and bring the lower thread up.



2. Gently pull on the upper thread to bring the lower thread up through the needle plate hole. The lower thread will come up in a loop.



3. Pull both threads to the back under the presser foot.

## Thread tension

The thread tension dial is used to set the upper thread tension.

### NOTE

Proper tension setting is important for sewing. No single tension setting is suitable for all stitch functions and all fabrics.

### ❖ Basic settings

Basic setting of the thread tension dial: "4".

### ❖ Normal thread tension for straight stitch sewing.

#### NOTE

The upper thread ① and the lower thread ② cross approximately halfway between the front ③ and the back ④ of the sewing material.

### ❖ Loose thread tension for straight stitch sewing

#### NOTE

The upper thread ① is clearly visible on the back ④ of the sewing material. Increase the thread tension by turning the thread tension dial ③ to the right to a higher setting.

### ❖ Tight thread tension for straight stitch sewing

#### NOTE

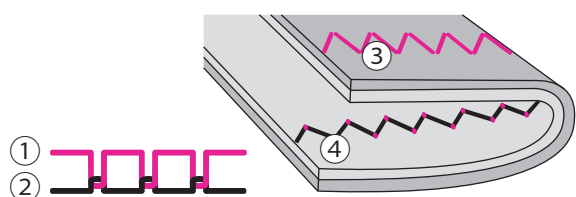
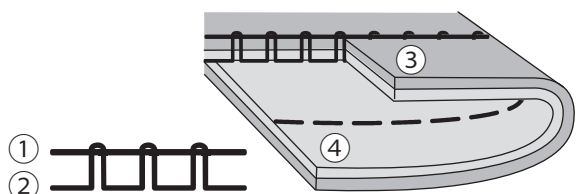
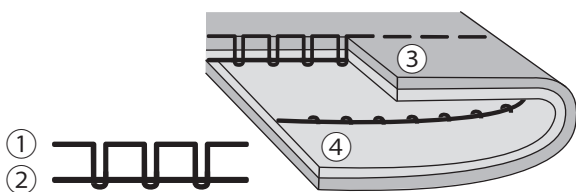
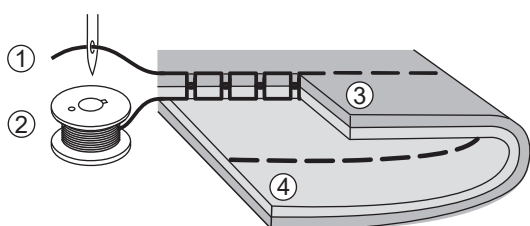
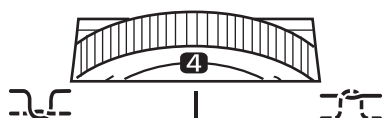
The lower thread ② is clearly visible on the front ③ of the sewing material. Reduce the thread tension by turning the thread tension dial ③ to the left to a lower setting.

### ❖ Normal thread tension for zig zag and decorative sewing

#### NOTE

The thread tension is correct when a small piece of the upper thread ① appears on the back ④ of the sewing material.

When sewing decorative stitches, this setting will always give you a nicer stitch pattern and the fabric will get distorted less.



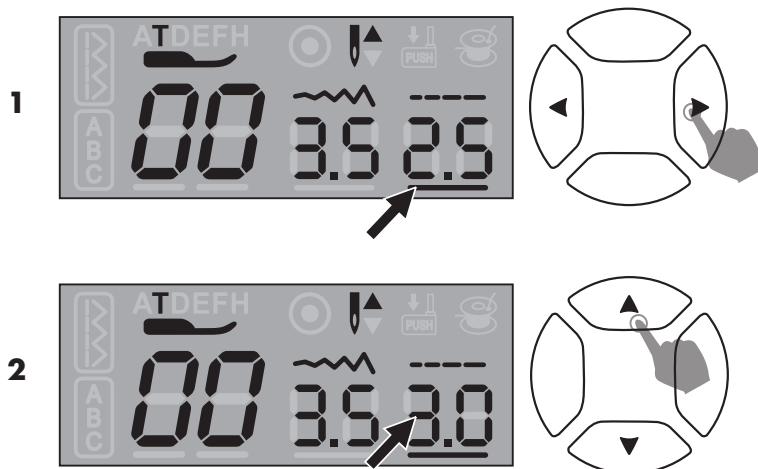
### Stitch chart

00	01	02	03	04	05	06	07	08	09	10	11	12	13	14	15	16	17	18	19
20	21	22	23	24	25	26	27	28	29	30	31	32	33	34	35	36	37	38	39
40	41	42	43	44	45	46	47	48	49	50	51	52	53	54	55	56	57	58	59
60	61	62	63	64	65	66	67	68	69	70	71	72	73	74	75	76	77	78	79
80	81	82	83	84	85	86	87	88	89	90	91	92	93	94	95	96	97	98	99

### Selecting stitch

In the stitch chart you will find the numbers of all possible stitches. To use a stitch, select the stitch number on the device.

Select the stitch number:

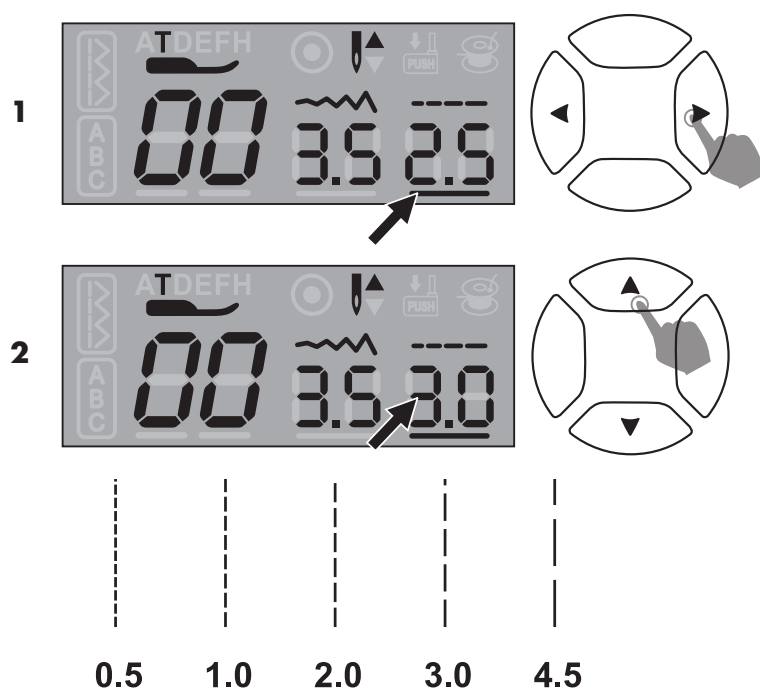


1. Move the cursor in the LCD screen (5) under the digits of the stitch number with the left or right button.
2. Press the up or down button to select the digits for the desired stitch pattern.

## Altering the stitch length and width

### ❖ Altering the stitch length

- When you select a stitch the device will automatically set the recommended stitch length which will be indicated by numbers on the LCD screen (5).
- Different stitches have different length limits.
- When the number is reset to its default value, LCD screen (5) will blink.

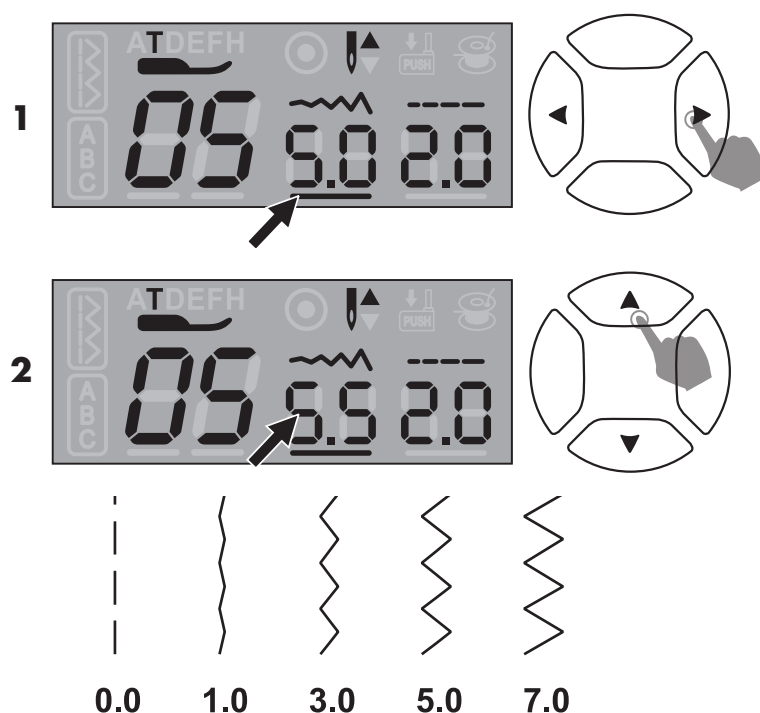


1. Move the cursor under the stitch length digits with the left or right button.

2. Press the down button for a shorter stitch length. Press the up button for a longer stitch length.

### ❖ Altering the stitch width

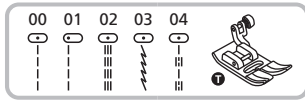
- When you select a stitch the device will automatically set the recommended stitch width which will be indicated by numbers on the LCD screen (5).
- Different stitches have different width limits.
- When the number is reset to its default value, LCD screen (5) will blink.



1. Move the cursor under the stitch width digits with the left or right button.

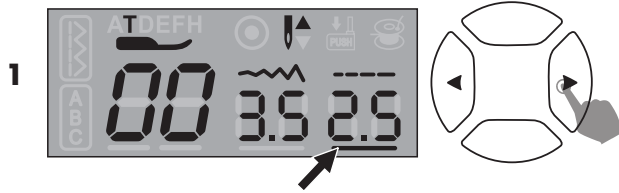
2. For a narrower stitch, press the down button. For a wider stitch, press the up button.

## Straight stitch

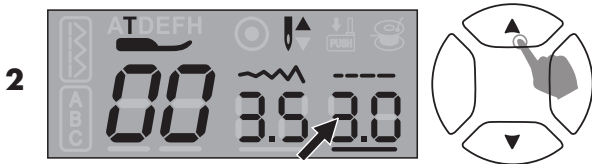


Use the all-purpose presser foot (a).

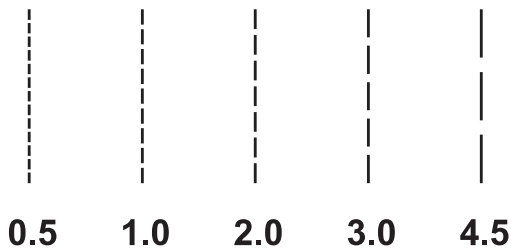
Set the pattern as shown in figure.



1. Move the cursor under the stitch length digits with the left or right button.



2. Press the down button for a shorter stitch length. Press the up button for a longer stitch length.

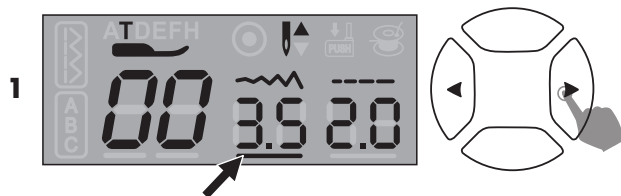


**NOTE**

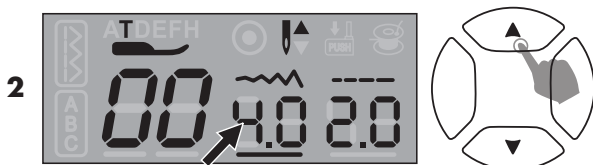
In general, the thicker the fabric, yarn and needle, the longer the stitch should be.

### Change the needle position:

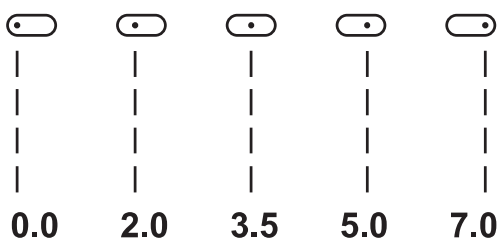
- The needle position for straight stitches / lock stitches can be changed by adjusting the stitch width.
- The default needle position is "3.5". That is the central position



1. Move the cursor under the stitch width digits with the left or right button.

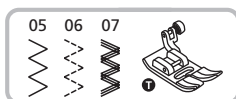


2. Press the down arrow button, the needle position will be moved to the left. Press the up arrow button, the needle position will be moved to the right.

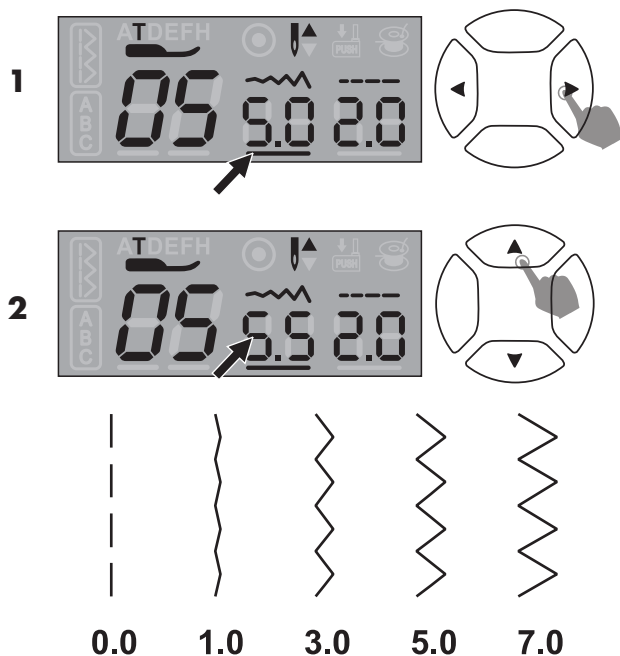




## Zigzag stitch

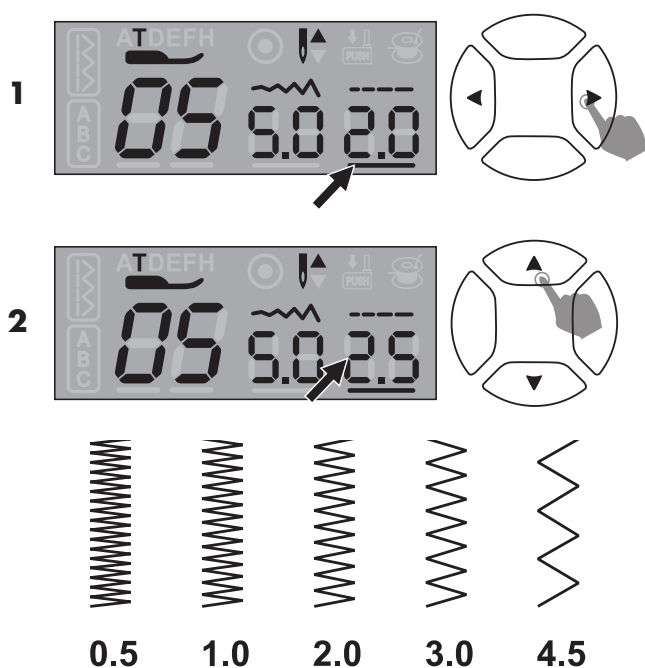


Use the all-purpose presser foot (a).  
Set the pattern as shown in figure.



### Adjust the stitch width.

1. Move the cursor under the stitch width digits with the left or right button.
2. For a narrower stitch, press the down button. For a wider stitch, press the up button.



### Adjust the stitch length

1. Move the cursor under the stitch length digits with the left or right button.
2. For a shorter stitch length, press the down arrow button. For a longer stitch length, press the up arrow button.

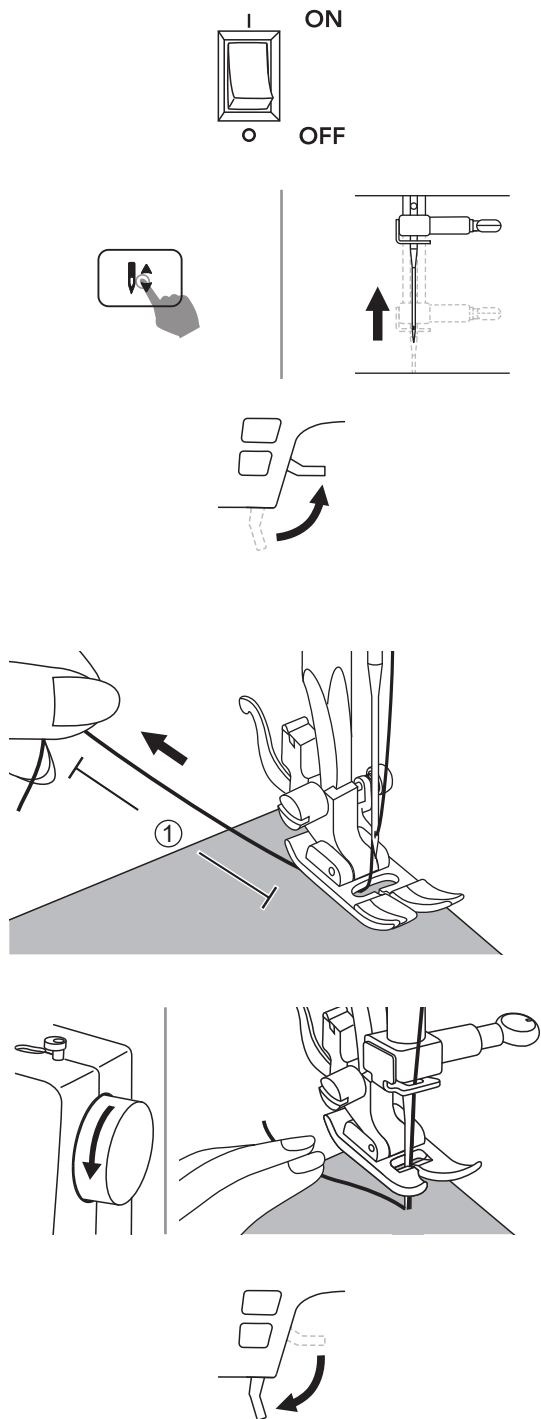
#### NOTE

Clean zigzag stitches are usually achieved with a stitch length value of "2.5" or less. Zigzag stitches with a short length are called satin stitch.

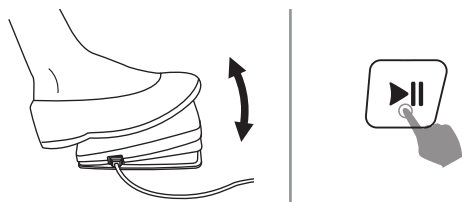
**Starting to sew**

**NOTE**

Follow the needle/fabric/yarn chart before you start sewing and select the recommended presser foot. For more information, see the chapter "Matching the needle, fabric and thread".



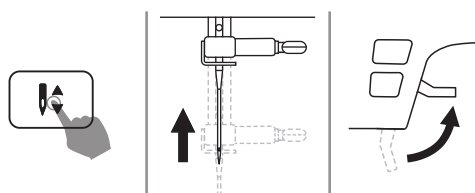
1. Set the main power switch (26) to the "I ON" position.
2. Bring the needle in the highest position using the Needle up/down position button (4).
3. Lift the two-step presser foot lever (22) and select a stitch.
4. Place the fabric under the presser foot. Pass the thread under the presser foot and then pull about 10 cm of the thread ① to the back of the sewing machine.
5. Turn the handwheel (25) toward you (counter-clockwise) to lower the needle into the fabric at the beginning of the sewing.
6. Lower the two-step presser foot lever.



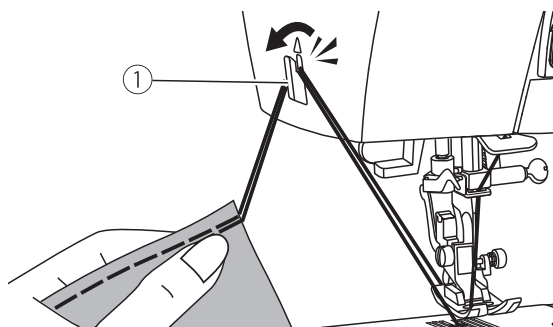
7. Slowly press down the foot controller or press the Start/Stop button (8) to start sewing. Release the foot controller or press the Start/Stop button again to stop the sewing machine.

**NOTE**

You can use reverse sewing for back tacking and reinforcing seams by pressing the reverse button. Please refer to "Useful skills" chapter for more information.



8. Press the Needle up/down position button to raise the needle. Lift the two-step presser foot lever (22) and remove the fabric.



9. Guide both threads to the left side of the housing to cut them and pull them over the thread cutter ①.

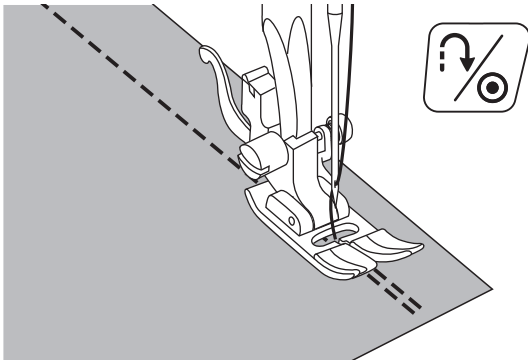
## Useful skills

Various ways to achieve better results for your sewing projects are described below. Refer to these tips when sewing your project.

- The results depend on types of fabrics and stitches. Please use the same fabric as your project for testing and do a sewing test in advance.
- For the trial sewing, use a piece of fabric and thread that are same as those used for your project and check the thread tension and stitch length and stitch width.
- Since the results differ depending on types of stitching and layers of fabric sewn, perform the trial sewing under the same conditions that will be used with your project.

### ❖ Sewing thick fabrics

When sewing thick fabrics, the passage of fabrics under the presser foot can be improved by raising the two-step presser foot lever (22) further up.

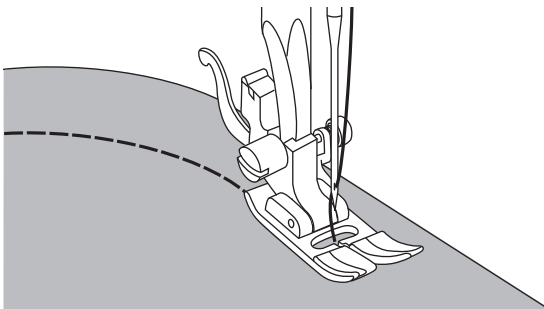


### ❖ Reverse sewing

Reverse sewing is used to secure the threads at the beginning and at the end of a seam.

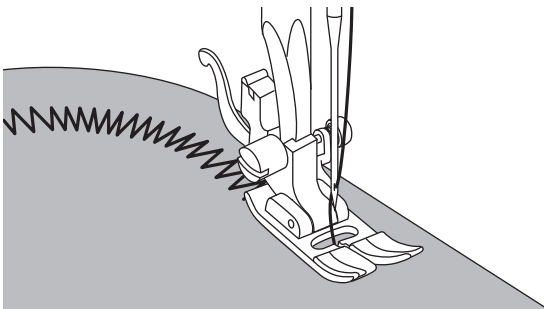
Press the reverse button and sew 4-5 stitches.

The device sews forward again after releasing the reverse sewing button.



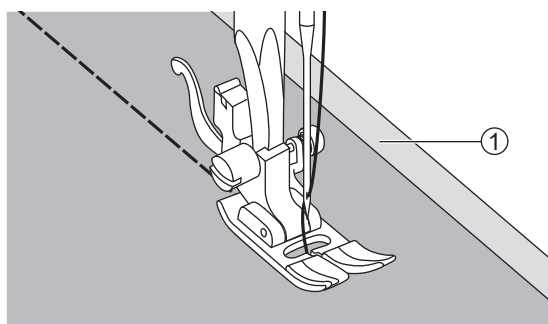
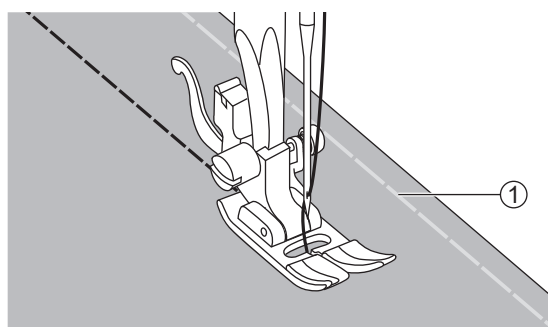
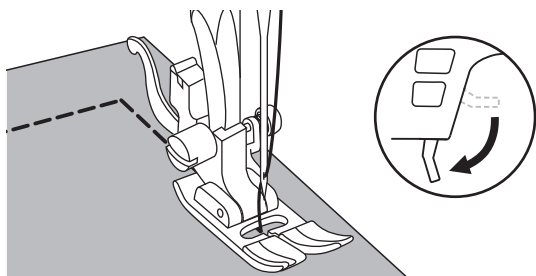
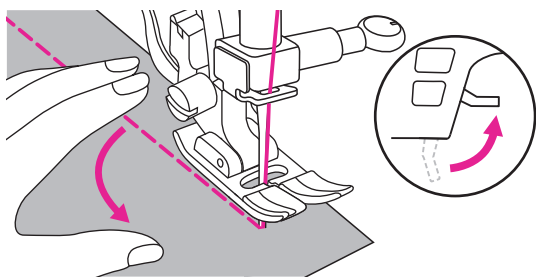
### ❖ Sewing curves

Change the sewing direction gradually if you want to sew around a curve.



### ❖ Sewing curves with a zigzag stitch

When sewing along a curve while using a zigzag stitch, select a shorter stitch length in order to obtain a finer stitch.



### ❖ Sewing corners

Stop the sewing machine when you reach a corner.

Lower the needle into the fabric by moving the needle to the lowest position with the up/down button (3).

Lift the two-step presser foot lever (22).

Use the needle as a pivot and turn the fabric 90°.

Lower the two-step presser foot lever (22) and continue sewing.

### ❖ Sewing stretch fabrics

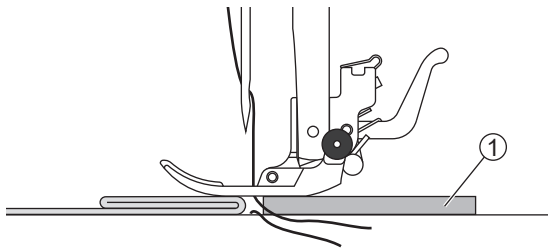
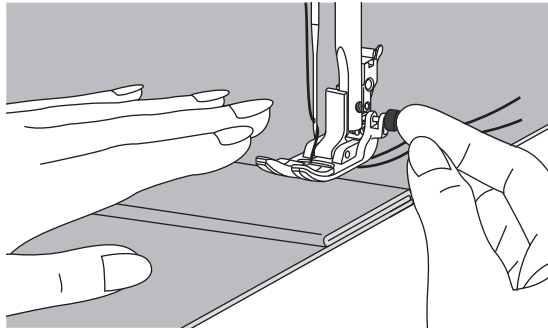
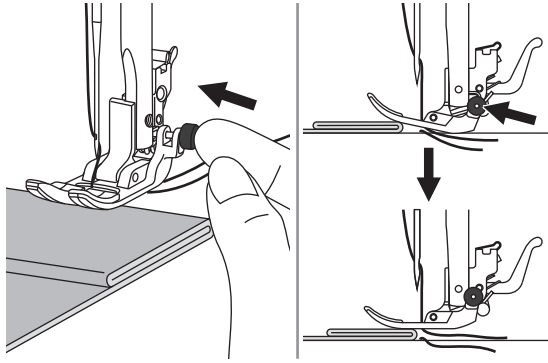
Baste ① the pieces of fabric together, and then sew without stretching the fabric.

### ❖ Sewing thin fabrics

When sewing thin fabrics, the stitching may become misaligned or the fabric may not be fed correctly.

Use stabiliser material ① under the fabric and sew it together with the fabric.

Remove excess stabiliser material when you have finished sewing.



## ❖ Sewing heavy fabric

The black button on the right side of the presser foot will lock the presser foot in a horizontal position if you push it in before lowering the presser foot. This ensures even feeding at the beginning of a seam and helps when sewing multiple layers of fabrics such as sewing over seams when hemming jeans.

When you reach a thicker area or cross stitch, lower the needle and raise the two-step presser foot lever. Press the toe of the foot into the horizontal line and press the black button in. Lower the foot and resume sewing. The black button releases automatically after sewing few stitches.

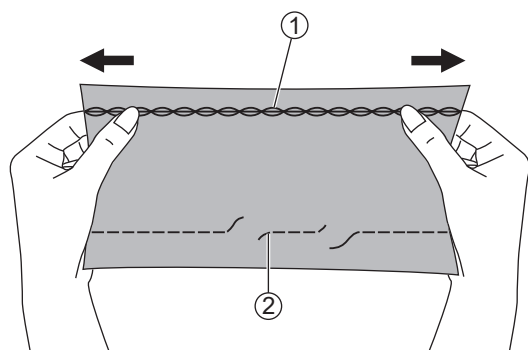
You can also place another piece of fabric or cardboard ① of the same thickness at the back of the seam. Or support the presser foot while feeding by hand and sewing toward the folded side.

## Sewing stretch fabrics

The stretch stitch is suitable for elastic and durable seams that stretch with the fabric without tearing. Ideal for stretch fabrics and jersey as well as hard-wearing seams on firm fabrics such as denim.

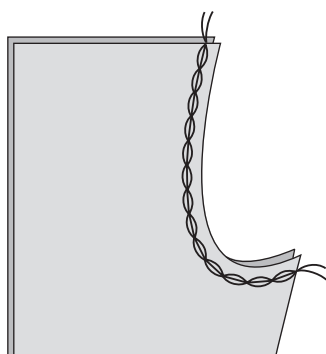
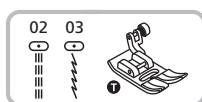
### NOTE

Stretch stitches ① can also be used as decorative visible seams.



Stretch stitch (the seam stretches with the fabric) ① .

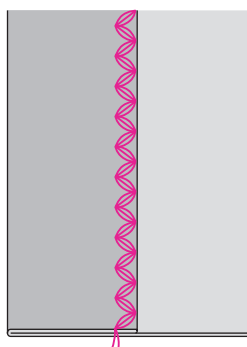
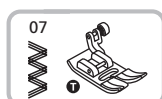
Straight stitch (the seam tears when the fabric is stretched) ② .



### ❖ Straight stretch stitch

With the straight stretch stitch you triple reinforce elastic and hard-wearing seams.

- Use the all-purpose presser foot (a).



### ❖ Zigzag stretch stitch

Triple zigzag stretch stitch is suitable for firm fabrics like denim, poplin, etc.

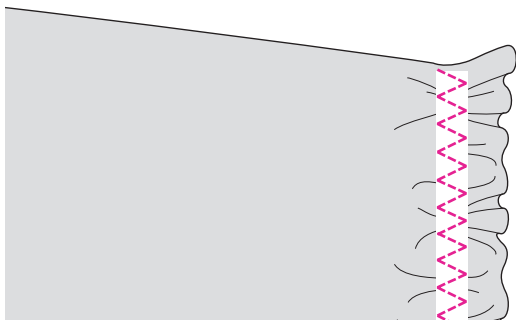
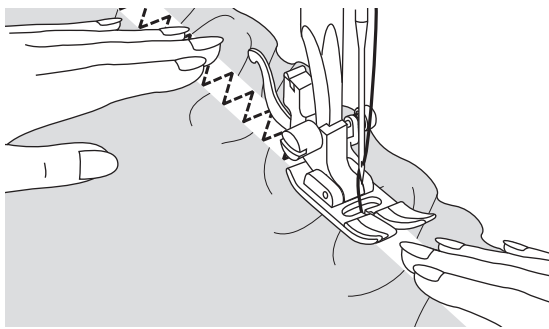
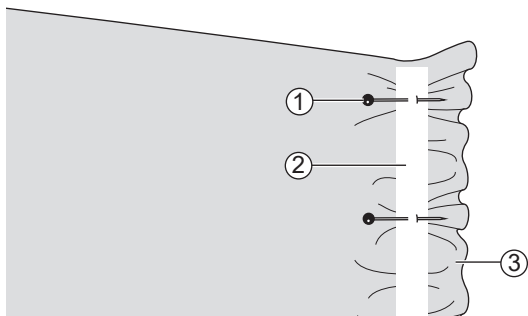
- Use the all-purpose presser foot (a).

## Sewing elastic band to fabric

By attaching an elastic band, you can sew, for example, an elastic arm cuff or an elastic waistband.

### NOTE

When measuring the length of the elastic band for sleeves or waist, note that in the finished elastic waistband, the elastic band is stretched when worn.



Use the all-purpose presser foot (a).

Sew an elastic band to the fabric:

1. Pin the elastic band (2) at some points on the back of the fabric (3) with pins (1) to make sure it is positioned uniformly on the fabric.
2. Sew the elastic band to the fabric while stretching the band so that it is at the same length as the fabric. While pulling the fabric behind the presser foot with your left hand, hold the fabric by the nearest pin in front of the presser foot with your right hand.

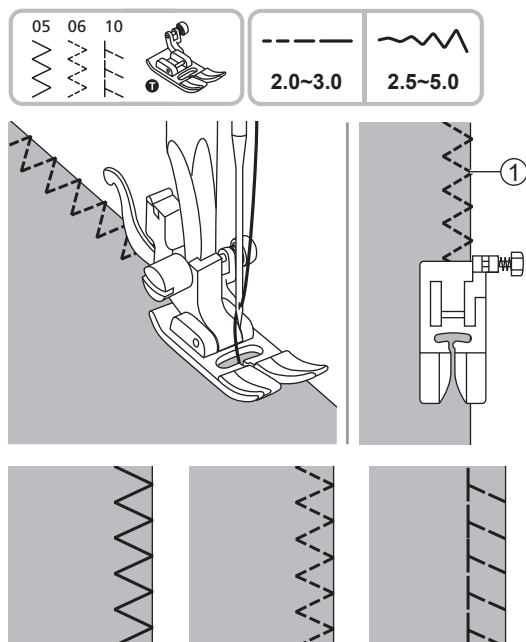
### NOTE

When sewing, be sure that the needle of the sewing machine does not touch any pins, otherwise the needle may bend or break.



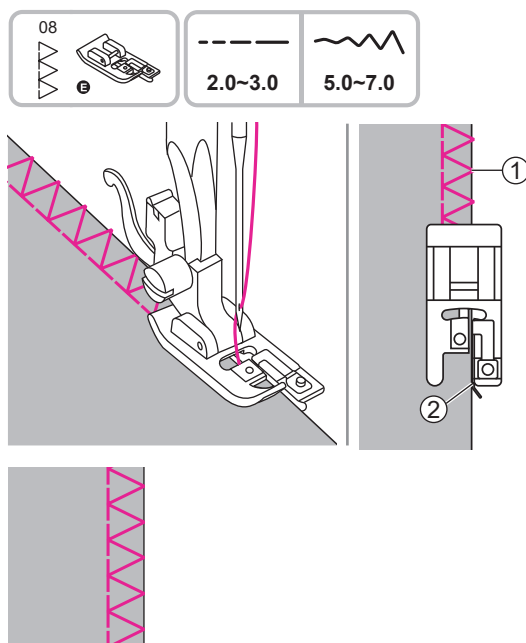
## Overcasting

By sewing overcasting stitches along the edge of fabric you can prevent it from fraying.



### ❖ Sewing overcasting stitch with the all-purpose presser foot:

1. Attach the all purpose presser foot.
2. Sew overcasting stitches along the edge of the fabric so that the needle drops over the right side of the fabric (needle drop point ①).



### ❖ Sewing overcasting stitch with the over-casting foot:

1. Attach the overcasting foot (c).
2. Sew the fabric with the edge of the fabric resting against the guide ② of the overcasting foot.

The needle overlaps the fabric on the right side (needle drop point ①).

## Blind hem

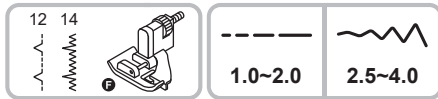
The seam with this stitch is not visible on the right side of the fabric.

### NOTE

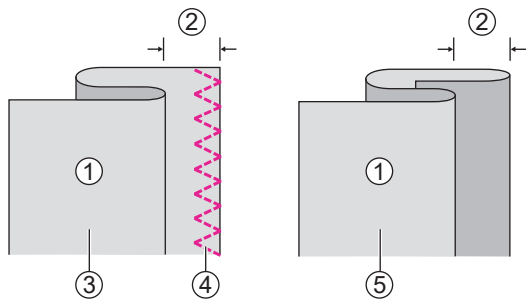
Use the blind hem stitch for skirt hems and trouser hems.

### NOTE

Please use the same fabric as for the project and carry out a sewing test in advance.



- Use the blind hem foot (d).
- Use stitch 12 blind hem for solid fabrics.
- Use stitch 14 blind hem for stretch fabrics.



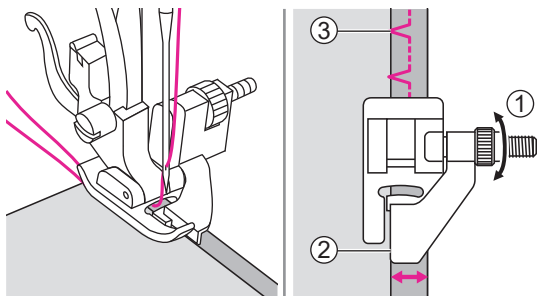
Sew a blind hem:

1. Fold the fabric as shown so that the left side (back of the fabric) is facing up.

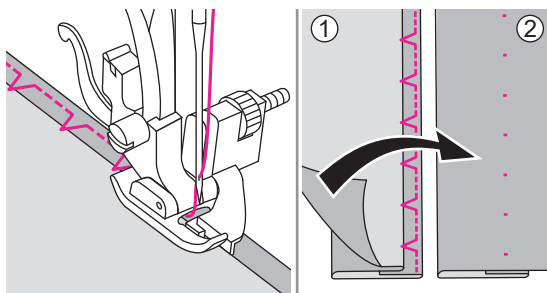
### NOTE

For heavy weight fabric, follow the illustration on the left. For light/medium weight fabric, follow the illustration on the right.

- ① Back of the fabric (left)
- ② 5 mm
- ③ For heavy weight fabric
- ④ Overcasting stitch
- ⑤ For light/medium weight fabric



2. Place the fabric under the foot. Turn the handwheel (25) forwards until the needle swings fully to the left. It should just pierce the fold of the fabric (3). If it does not, adjust the stitch width accordingly. Adjust the guide by turning the knob (1) so that the guide just rests against the fold (2).



3. Sew slowly, guiding the fabric carefully along the edge of the guide. Turn over the fabric. The illustration shows the sewing results.

- ① Back of the blind hem
- ② Front of the blind hem

## Sewing buttonholes

### NOTE

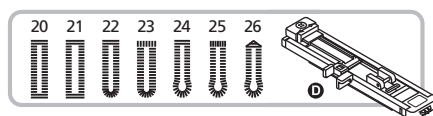
Buttonholes can be adapted to the size of the button.

### NOTE

For stretch fabric or thin fabric, it is recommended to use a stabilizer/auxiliary material for a better buttonhole sewing. Lower the thread tension of the upper thread slightly with the thread tension dial.

### NOTE

Please use the same fabric as for the sewing project and carry out a sewing test in advance.



Use the buttonhole foot (h)

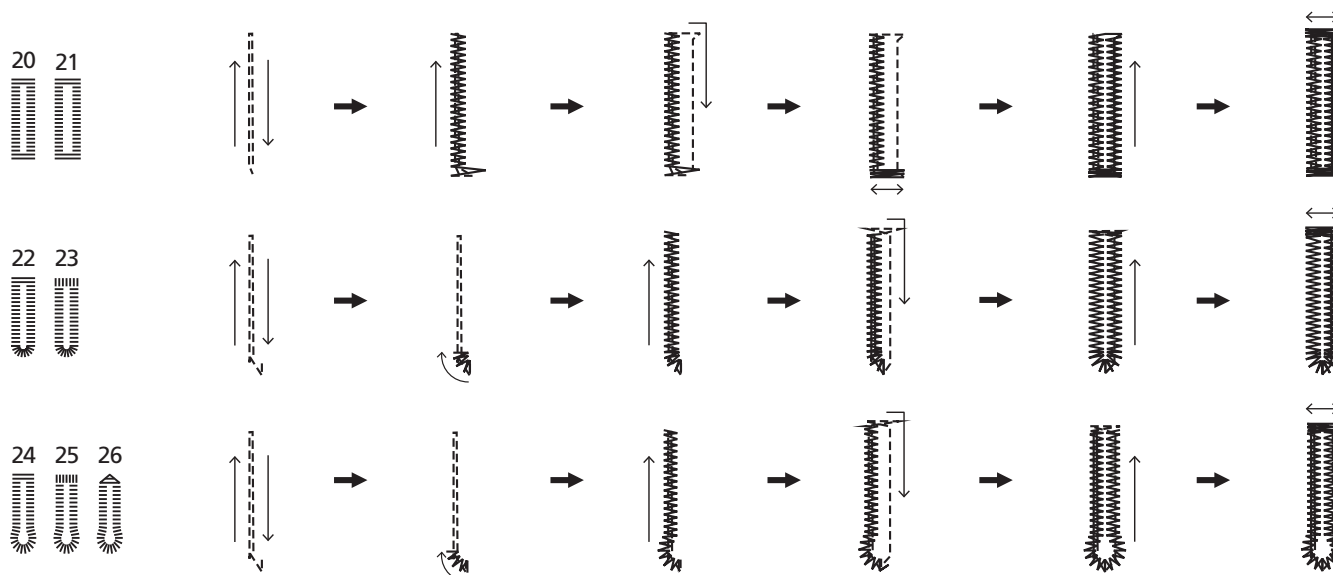
Use:

- Stitch 20/21/22 for thin or medium fabric
- Stitch 23 for heavy duty buttonholes with vertical bar tack stitches
- Stitch 24/25 for suits or coats
- Stitch 26 for jeans or trousers

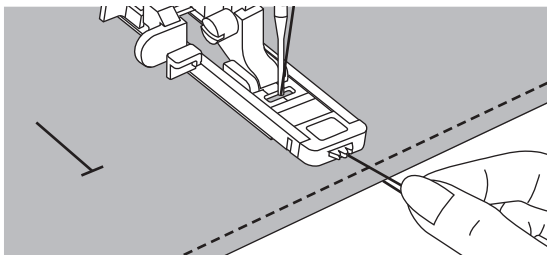
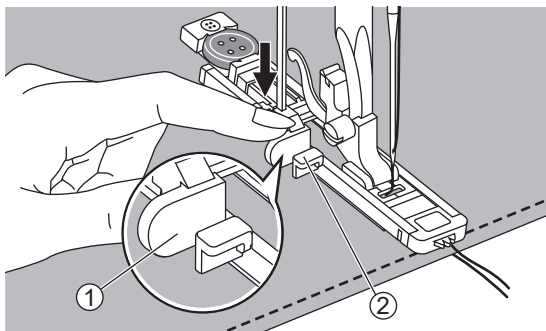
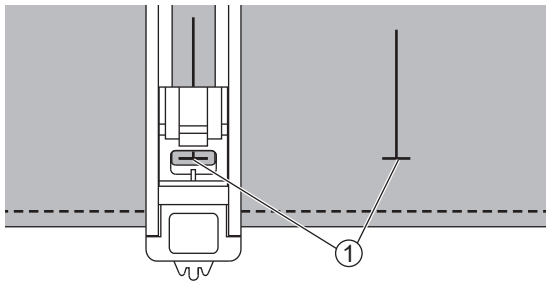
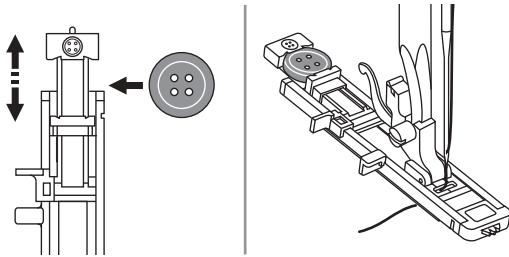
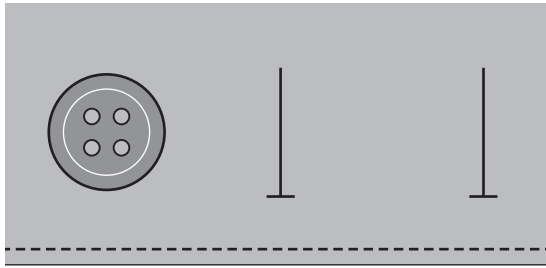
Buttonholes are sewn from the front of the presser foot to the back.

### NOTE

Buttonholes are sewn from the front of the presser foot to the back.



## ❖ Sewing a buttonhole on non-stretch fabrics:



1. Mark the positions of the buttonhole on the fabric.

### NOTE

The maximum buttonhole length is 3 cm. (Total of diameter + thickness of button). The size of the buttonhole is determined by the button inserted in the button holder plate.

2. Pull the button holder plate to the back, and place the button in it. Push back the button holder plate against the button to hold it tight. Attach the buttonhole foot to the sewing machine.

### NOTE

Pull the thread through the hole in the presser foot so that it is under the presser foot.

3. Place the fabric under the presser foot so that the center mark ① on the presser foot is aligned with the drawn buttonhole line. Select the buttonhole stitch. Adjust the stitch width and the stitch length to the desired width and density.

4. Pull down the buttonhole lever ① to the very bottom.

### NOTE

It must be behind the holder ② on the buttonhole foot.

5. Slightly hold the end of the upper thread and start sewing. Hold both threads tightly.

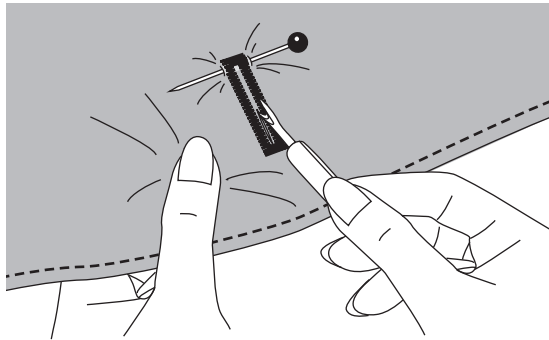
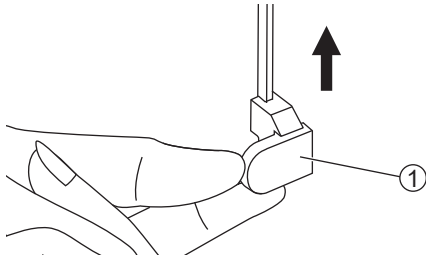
### NOTE

Gently feed the fabric by hand. Before stopping, the sewing machine will automatically sew a reinforcement stitch after the buttonhole is sewn.

6. Raise the presser foot and cut the thread.

### NOTE

To sew over the same buttonhole again, raise the presser foot. (It returns to the starting position.)



- After sewing the buttonhole stitch, raise the buttonhole lever **①** as far as it will go.

- Use the seam ripper to cut open the center of the buttonhole.

### **⚠ CAUTION**

When cutting the buttonhole with the seam ripper, do not place your hands in the cutting direction, otherwise injuries may result.

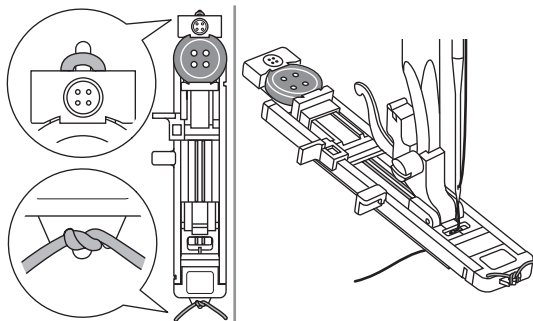
### **NOTE**

Be careful not to accidentally cut into the bar tack. Use a pin as a stopper at the bar tack so you do not cut too much.

## ❖ Sewing a buttonhole on stretch fabrics:

### **NOTE**

It is suggested that you sew with a stabilizer material under the fabric.

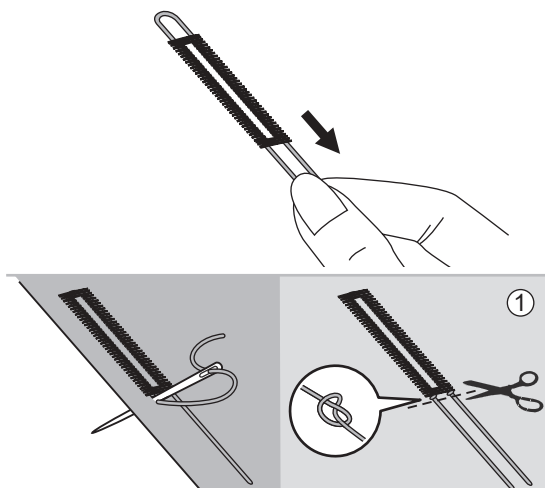


- Hook a gimp thread (a heavy thread or cord) to the back of the buttonhole foot.
- Bring the ends of the gimp thread to the front of the foot and insert them into the notches; then knot them temporarily.
- Lower the two-step presser foot lever (22) and start sewing.

### **NOTE**

Set the stitch width to match the diameter of the gimp thread.

- Once sewing is completed, pull the gimp thread gently to remove any slack.
- Thread the gimp thread ends into a larger hand needle. Pull the ends to the back of the fabric and knot them before cutting off the overhangs **①**.

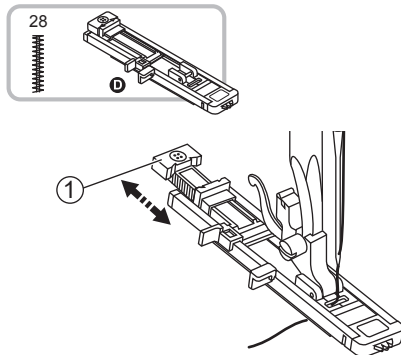


## Reinforcing seams

Bar tack stitch is used to reinforce points subject to strain, such as pocket corners and openings.

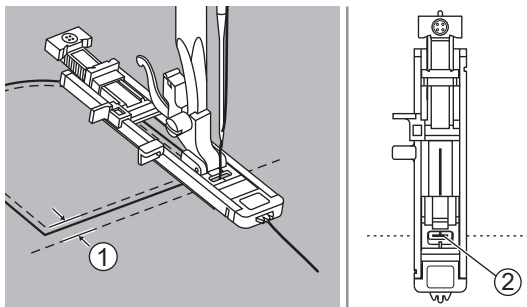
### NOTE

It is suggested that you sew with a stabilizer material under the fabric.

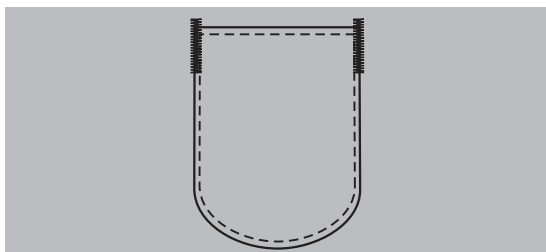


Use the buttonhole foot (h)

1. Extend the button holder plate (1) and set to the desired length. Adjust the stitch width and the stitch length to the desired width and density.
2. Attach the buttonhole foot to the sewing machine. Pull the thread through the hole in the presser foot so that it is under the presser foot.



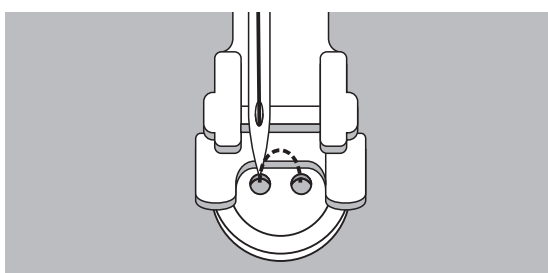
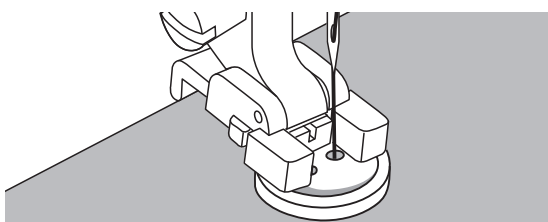
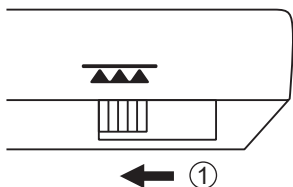
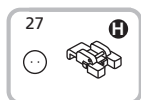
3. Align the fabric so that the needle is 2 mm (1) in front of the position where you want to start sewing (2); then lower the two-step presser foot lever.



4. Pull down the buttonhole lever (1) to the very bottom. It must be behind the holder (2) on the buttonhole foot.
5. Slightly hold the end of the upper thread and start sewing. Bar tack stitches are sewn.

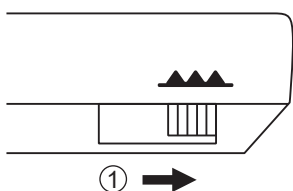
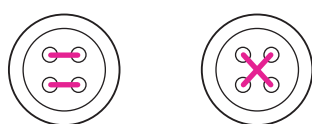
## Button sewing

Buttons can be sewn on with the sewing machine. Buttons with 2 or 4 holes can be attached.



Use the button sewing foot (f)

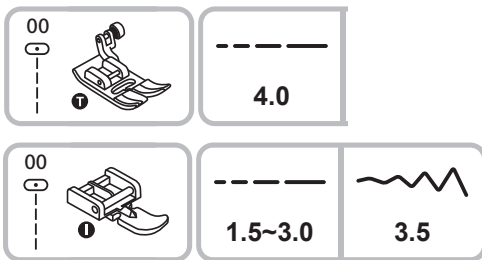
1. Slide the feed dog lever to position ① to lower the feed dog.
2. Place the work under the foot and the button in the desired position. Then lower the foot.
3. Select the buttonhole sewing stitch and adjust the stitch width according to the distance between the two holes of the button.
4. Turn the handwheel (25) to check that the needle goes cleanly into the left and right holes of the button.
5. For buttons with 4 holes, sew through the front two holes first, push work forward and then sew through the back two holes as shown in the picture on the left. Alternatively, you can sew the button sewing stitch cross-wise as shown in the illustration on the right. When you finish the work, move the feed dog lever to the raised feed dog mark.



### NOTE

The feed dog can only be moved up by turning the handwheel!

## Zipper sewing



Use the all-purpose presser foot (a) and the zipper foot (b)

### NOTE

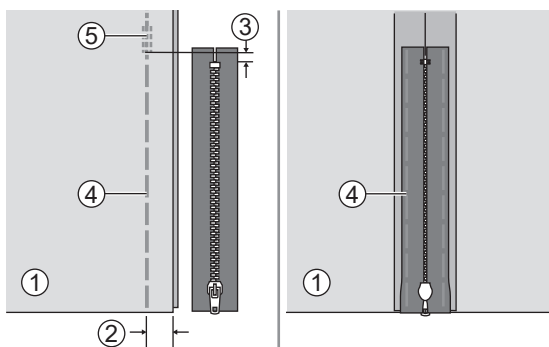
The zipper foot can be adjusted to sew on either side of the zipper. The edge of the foot guides the zipper so that it is positioned straight.

### NOTE

Zipper foot should be used for sewing straight stitches only. It is possible that the needle could hit the presser foot and break when sewing other stitch patterns.

### NOTE

When sewing, be sure that the needle does not touch the zipper, otherwise the needle may bend or break.

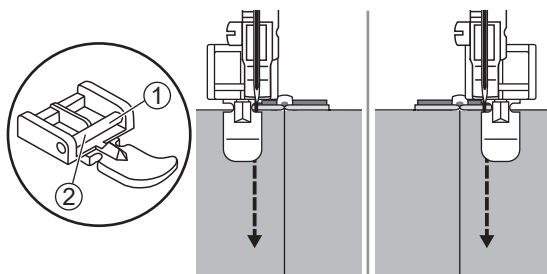


## ❖ Centered zipper sewing:

### 1. Preparation:

1. Insert the all-purpose presser foot (a).
2. Place the right sides of the fabric on top of each other and sew to the end of the zip opening with a seam allowance of approx. 2 cm. Secure the seam with a few locking stitches. In the area of the zipper opening, baste the seam with thread tension less than 2 and with maximum stitch length. Press open the seam allowance. Place the zipper face down on the seam allowance with the teeth against the seam line. Baste the zipper band to the fabric to prevent it from slipping.

- ① Back of the fabric (left)
- ② 2 cm seam allowance
- ③ 5 mm distance to the lower end of the zip
- ④ Baste seam
- ⑤ Locking stitches



### 2. Zipper sewing:

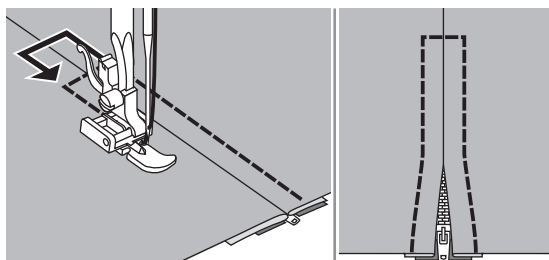
1. Attach the zipper foot (b).

### NOTE

When sewing the left side of the zipper, attach the right side of the presser foot stay ① to the holder. When sewing the right side of the zipper, attach the left side of the presser foot stay ② to the holder.

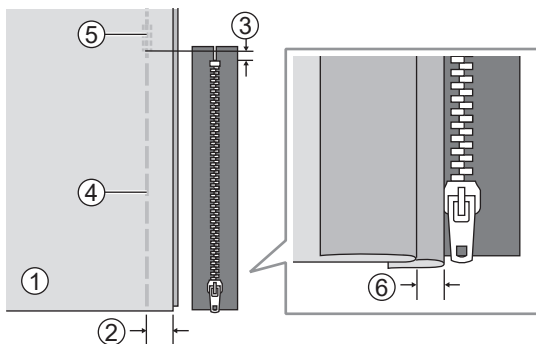
### NOTE

The zipper must not be sewn through both layers of fabric!



2. Stitching around the zipper. Remove the baste seams and press the sewing piece.



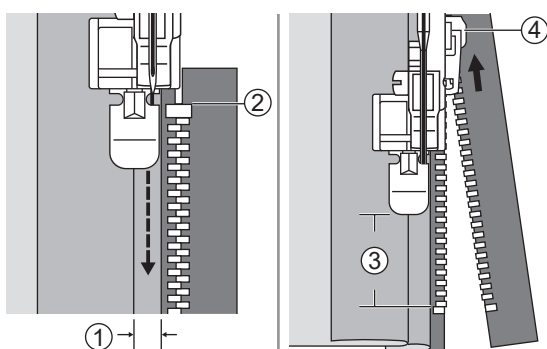


## ❖ Concealed zipper sewing on one side:

### 1. Preparation:

1. Insert the all-purpose presser foot (a).
2. Place the right sides of the fabric on top of each other and sew to the end of the zip opening with a seam allowance of approx. 2 cm. Secure the seam with a few locking stitches. In the area of the zipper opening, baste the seam with thread tension less than 2 and with maximum stitch length. Fold back one seam allowance to the left. Fold the other seam allowance to the right to make a 3 mm wide fold.

- ① Back of the fabric
- ② 2 cm seam allowance
- ③ 5 mm distance to the lower end of the zip
- ④ Baste seam
- ⑤ Locking stitches
- ⑥ 3 mm wide fold



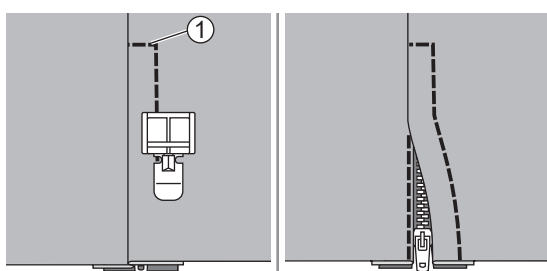
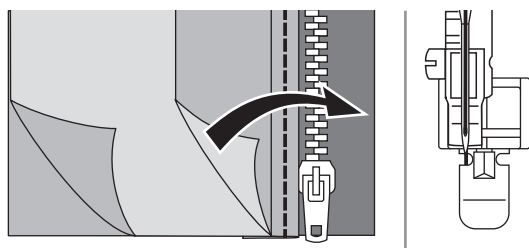
### 2. Zipper sewing:

1. Attach the zipper foot.

#### NOTE

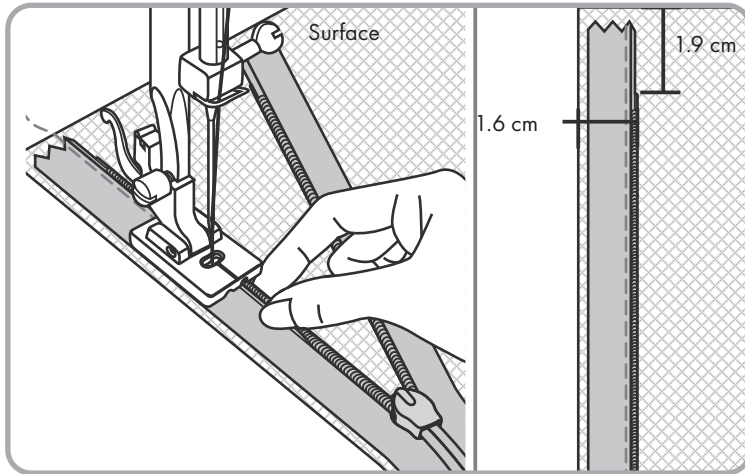
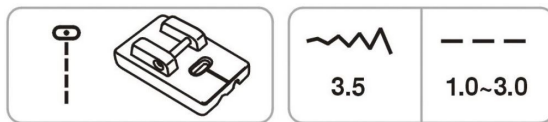
To sew on the left side of the zipper, attach the zipper foot with the right crossbar.

2. Sew the zipper to the piece of fabric ① with the extra 3 mm, starting from the end of the zipper ②. Stop the sewing machine about 5 cm from the top of the zipper ③. Lower the needle into the fabric and lift the two-step presser foot lever (22). Open the zipper ④ and continue sewing.
3. Turn the sewing piece right side out. To sew on the right side of the zipper, attach the zipper foot with the left crossbar.
4. Sew across the bottom end ①, then sew the right side of the zipper to approx. 5 cm before the end. Remove the baste thread and open the zipper. Sew the remaining of the seam.



## ❖ Concealed zipper

Concealed zippers provide an invisible closing on skirts, dresses and a variety of garments and accessories.



Use the concealed zipper foot (g).

1. Insert the concealed zipper foot (g).

### NOTE

Make sure that the needle is in line with the center mark.

### NOTE

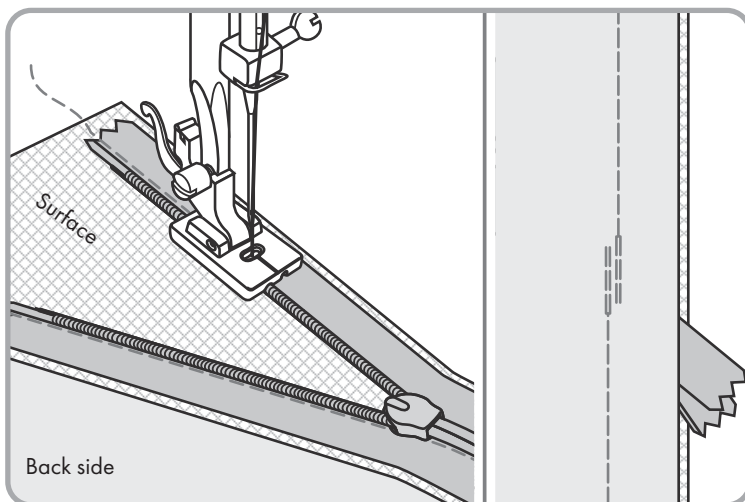
Be sure to use a stabiliser material when sewing in the zipper.

2. Place open zipper face-down on right side of fabric.
3. Pin the zipper so that the coil on the seam line is 1.6 cm and the top stop is 1.9 cm below the cut edge of the fabric.
4. With right-hand groove of foot over coil, stitch zipper until the foot hits the slider.

### NOTE

Pull out the needles step by step.

5. Secure the seam at the end with a few locking stitches.



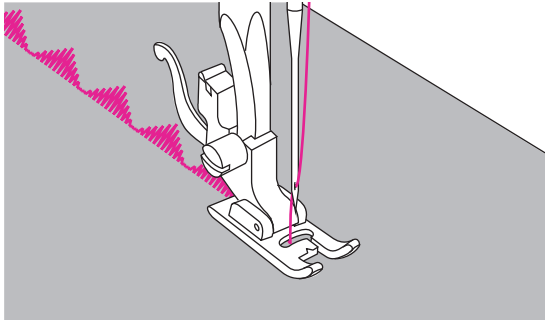
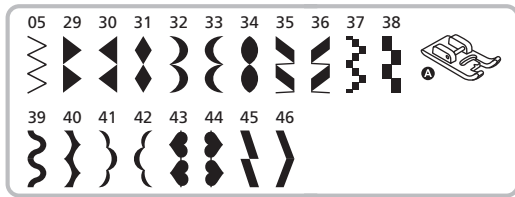
6. To attach the other half of the zipper, place the half face down as before so that the coil on the seam line is 1.6 cm and the top stop is 1.9 cm below the cut edge of the fabric. Then pin in place with needles.

### NOTE

Make sure that the zipper is not twisted at the bottom.

7. Use the left-hand groove of foot, making sure that the center marking is still lined up with the needle and stitch, as before.
8. Close the zipper.
9. Place the zipper under the right-hand groove of foot as shown.
10. Pin the seam together below zipper opening.
11. Fold end of zipper out of the way and lower the needle by hand slightly above and to the left of the last stitch.
12. Stitch seam for about 5 cm wide as shown.
13. Attach the all-purpose presser foot and complete the seam.
14. Sew about 2.5 cm of the zipper tape as a seam allowance at the end of the zipper.

## Satin stitch sewing



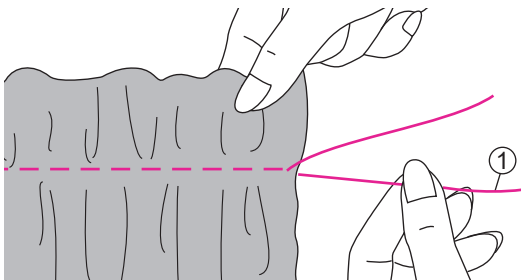
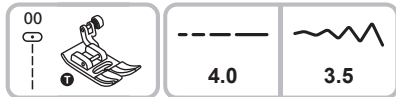
- Use the satin stitch foot for satin stitching and sewing decorative stitches.
- When sewing very lightweight fabrics, it is recommended that you use interfacing or stabilizer on the back side of the fabric.
- Satin stitch foot has a groove on the underside which allows dense stitching to pass freely underneath.

Insert the satin stitch foot (e).

To sew the satin or decorative stitch, you may adjust the length and width of the stitch. Experiment with fabric scraps until you get the desired length and width.

## Gathering

Ideal for clothing as well as home decor. It works best on thin to medium weight fabrics.

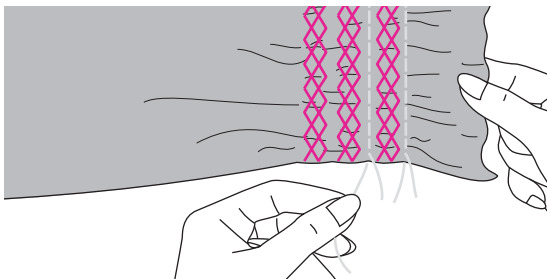
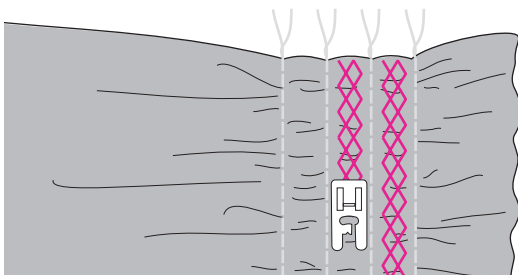
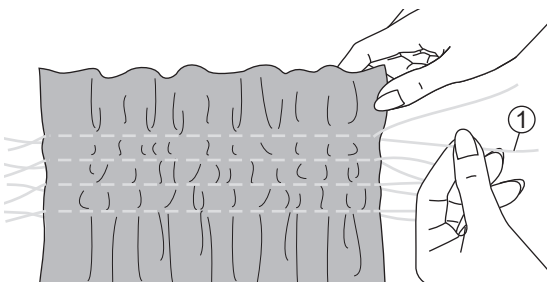
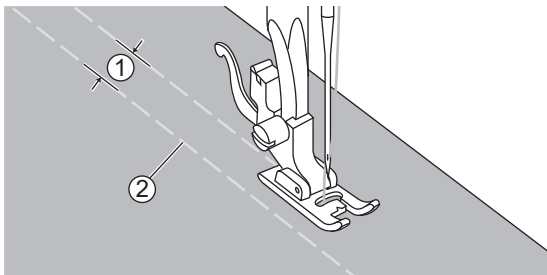
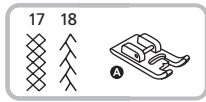


Use the all-purpose presser foot (a).

1. Before sewing, please check the upper and lower threads are already pulled out about 5 cm to leave enough room for sewing. Please refer to "Bringing up the lower thread" chapter for more information.
2. Set the thread tension below 2. Sew a single row (or many rows) of straight stitches.
3. Pull the lower threads (1) and distribute the gathers evenly. Secure the threads at the other end.

## Smocking

The decorative stitch over ruffles is called "smocking". Smocking is used to decorate the front of blouses or cuffs. The smocking stitch adds texture and elasticity to the fabric.

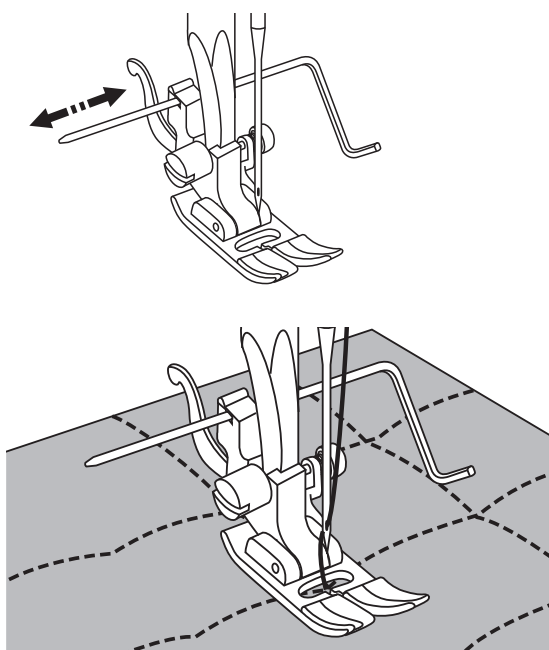
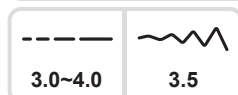


Use the satin stitch foot (e).

1. Increase the stitch length to the maximum, set the thread tension below 2 and sew parallel baste seams (2) 1 cm apart (1) along the area to be smocked.
  
2. Knot the threads at one side. Pull the lower threads (1) and distribute the gathers evenly. Secure the threads at the other end.
  
3. Reduce the tension if necessary and sew decorative stitches between the straight baste seams.
  
4. Remove the baste seams.

## Quilting, sewing pieces of fabric together and sewing patchwork

Sandwich padding between the top and bottom layers of fabric is called "Quilting". The top layer is usually formed by multiple geometrically shaped pieces of materials joined together.



### ❖ Quilting:

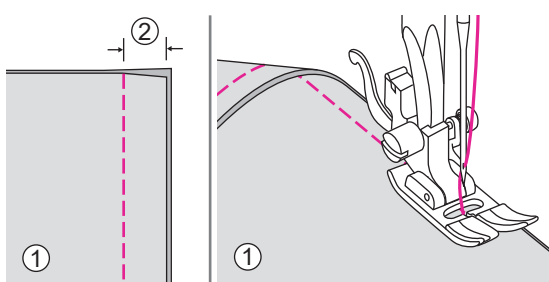
- Use the all-purpose presser foot (a) with edge/quilt guide.
- Use the edge/quilt guide (p).

1. Attach the edge/quilt guide in the presser foot holder and set the distance as desired.

2. Sew the first row. Continue sliding the fabric to sew the following rows.

#### **NOTE**

Use the edge/quilt guide to orientate yourself to the previous row of stitching.



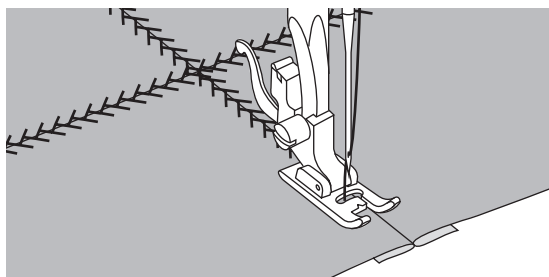
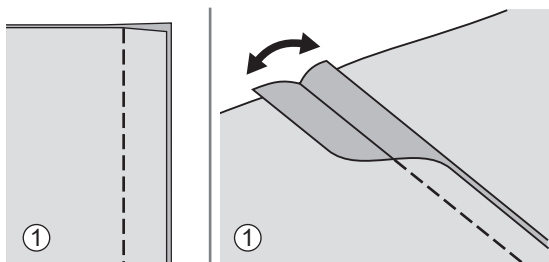
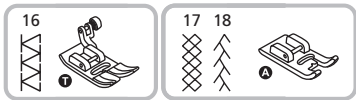
### ❖ Sewing pieces of fabric together:

Use the all-purpose presser foot (a)

Place the two pieces of fabric with the right side on top of each other (1) and sew them together with the straight stitch. Join the pieces of fabric with a seam allowance of 5 mm (2).

#### **NOTE**

Sew with the side of the presser foot aligned with the edge of the fabric.



## ❖ Sewing patchwork:

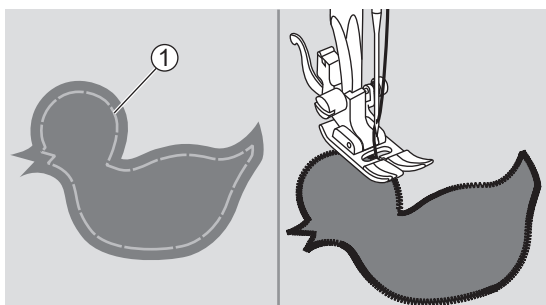
Use the all-purpose presser foot (a) or satin stitch foot (e).

1. Lay the two fabrics, right sides together and lockstitch the edges with the back of the fabric ① facing up. Open the seam allowance and press it flat.
  
2. Work on the fabric front side. Working on the right side of the fabric, place the center of the presser foot on the seam line of the joined fabrics and stitch over the seam.

## Applique

### NOTE

You can create and applique by cutting a different piece of fabric into a shape and using it as a decoration.

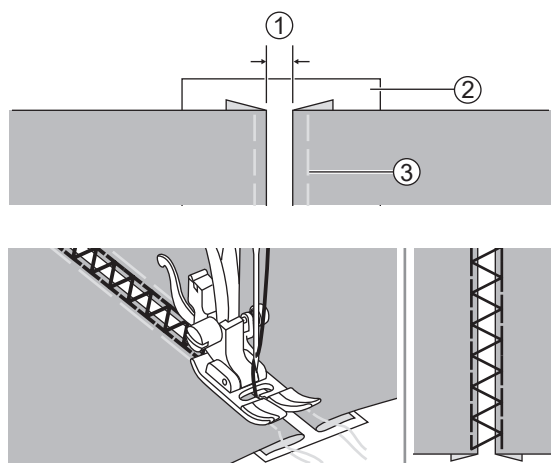
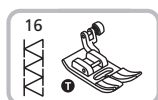


Use the all-purpose presser foot (a).

1. Cut out the desired design and baste it on the fabric (1). Sew slowly around the edge of your applique. Trim the excess material outside the stitching. Make sure not to cut any stitches. Remove the baste seams.

## Fagoting

Stitching across an open seam is called "fagoting". It is used on blouses and children's clothing. This stitch is more decorative when thicker thread is used.

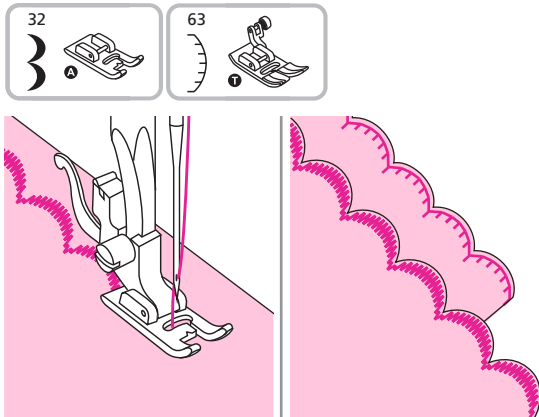


Use the all-purpose presser foot (a).

1. Align the fabric breaks of the fabric pieces 4 mm apart (1) and baste (3) onto a water-soluble fleece (2).
2. Align the center of the presser foot with the center of the two pieces of fabric and begin sewing. The water-soluble fleece is dissolved by washing.

## Scallop stitch

The wave-shaped repeating stitch, that looks like shells, is called "scalloping". It is used to decorate the collar of blouses and the edges of knitting projects.



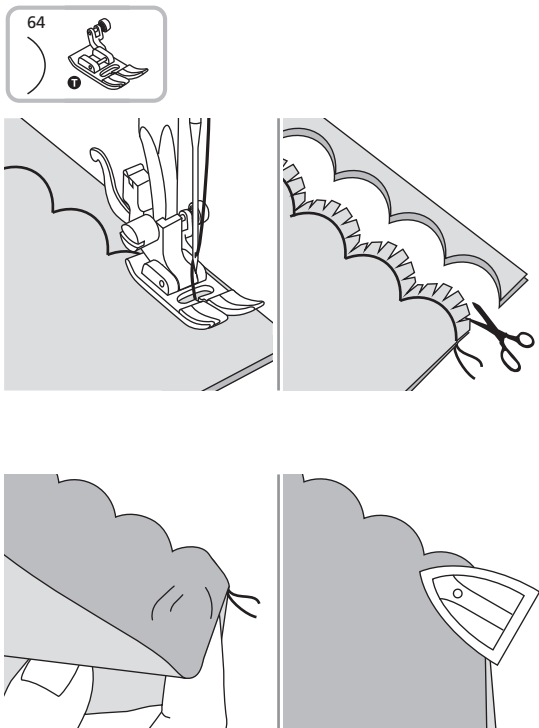
Use the satin stitch foot (e) or all-purpose presser foot (a).

1. Stitch along the edge of the fabric, making sure not to sew directly on the edge of the fabric.
2. Cut the fabric close to the seam. Be careful not to cut the seams.

### NOTE

For better results, apply spray starch onto the fabric and press with a hot iron before it is sewn.

## Scallop hem



Use the all-purpose presser foot (a).

1. Fold the fabric right side together. Sew along the folded edge.
2. Cut the fabric along the hem, leaving 3 mm space for hemming and cut this hem.
3. Turn the fabric over, press the curved hem outwards to the surface and iron it.



**WARNING!**

Disconnect the power cord from the wall socket before carrying out any maintenance, otherwise injury or electrical shock may result.

## Clean the machine surface

**NOTE**

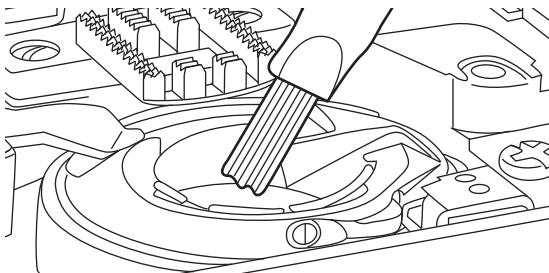
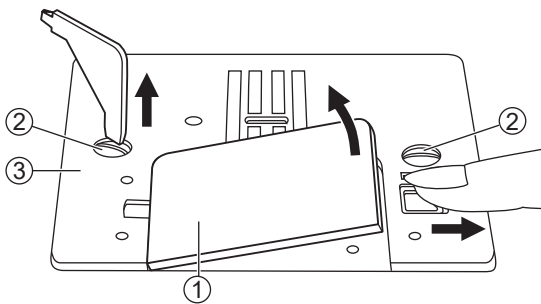
Do not use any organic solvents or detergents.

Clean the sewing machine if the surface of the sewing machine is dirty:

3. Wipe the sewing machine with a light cloth dipped in mild detergent and wrung out thoroughly.
4. After cleaning the sewing machine once in this way, wipe the surface again with a dry cloth.

## Cleaning the looper, bobbin case and feed dog

If lint and bits of thread accumulate in the looper, this will interfere with the smooth operation of the machine. Check regularly and clean the stitching mechanism when necessary.



Clean the looper, bobbin case and feed dog:

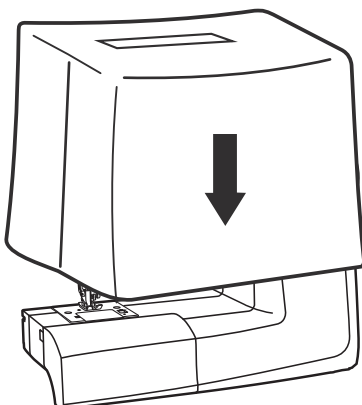
1. Remove the needle, presser foot and presser foot holder.
2. Remove the bobbin cover (1) and bobbin.
3. Remove the screws on the needle plate (2) with the L-screwdriver (I).
4. Remove the needle plate (3).
5. Clean the looper, feed dog and bobbin case with the brush side of the supplied seam ripper/brush (i).

**NOTE**

And also use a soft and dry cloth to clean them.

6. Follow steps 1 to 4 in reverse order and install the removed parts.

## Storage



- Always remove the power plug from the socket when not using the sewing machine.
- Use the dust cover(s) provided.
- Store the sewing machine in a dry location which children cannot access.
- If the sewing machine is not used for an extended period, it should be protected from excessive dust, dirt or moisture.

**Signal tones**

<b>Signal tones</b>	<b>Cause</b>	<b>Correction</b>
One short signal tone	Correct function	-
Three short beeps when a button is pressed	<ol style="list-style-type: none"> <li>1. Incorrect operation of the buttons</li> <li>2. Thread bobbin is full or the sewing machine stops while the bobbin winder spindle is still in the right position.</li> </ol>	<ol style="list-style-type: none"> <li>1. Check that you are pressing the right button and performing the right actions</li> <li>2. Push the bobbin winder spindle (17) back into the left position.</li> </ol>
Three short signal tones	<ol style="list-style-type: none"> <li>1. Sewing machine has a problem and cannot sew. Possibly the thread is tangled or twisted and the handwheel (25) cannot be moved</li> </ol>	<ol style="list-style-type: none"> <li>1. Look through the "Troubleshooting guide" to find the solution.</li> </ol>

## Troubleshooting guide

Problem	Cause	Correction
Upper thread tears	<ol style="list-style-type: none"> <li>The machine is not correctly threaded.</li> <li>The thread tension is too high.</li> <li>The thread is too thick for the needle.</li> <li>The needle is not correctly inserted.</li> <li>The thread has become wound around the bobbin winder spindle (17).</li> <li>The needle is damaged.</li> </ol>	<ol style="list-style-type: none"> <li>Thread the yarn again.</li> <li>Loosen the thread tension (3).</li> <li>Select a larger needle size.</li> <li>Remove and reinsert the needle (flat side towards the back).</li> <li>Remove the bobbin (g) and unwind the thread.</li> <li>Replace the needle.</li> </ol>
Lower thread breaks	<ol style="list-style-type: none"> <li>The lower thread bobbin is not inserted correctly in the bobbin case.</li> <li>The lower thread is threaded incorrectly.</li> </ol>	<ol style="list-style-type: none"> <li>Insert the lower thread bobbin correctly.</li> <li>Tread the lower thread again</li> </ol>
Skipped stitches	<ol style="list-style-type: none"> <li>The needle is not correctly inserted.</li> <li>The needle is damaged.</li> <li>The wrong size needle has been used.</li> <li>The wrong presser foot is attached.</li> </ol>	<ol style="list-style-type: none"> <li>Remove and reinsert the needle (flat side towards the back).</li> <li>Replace the needle.</li> <li>Choose a needle size to suit the thread and fabric.</li> <li>Select the correct presser foot.</li> </ol>
Needle breaks	<ol style="list-style-type: none"> <li>The needle is damaged.</li> <li>The needle is not inserted correctly.</li> <li>Fabric too thick / needle size wrong.</li> <li>The wrong presser foot is attached.</li> </ol>	<ol style="list-style-type: none"> <li>Replace the needle.</li> <li>Insert the needle correctly (flat side towards the back).</li> <li>Choose a needle size to suit the thread and fabric.</li> <li>Select the correct presser foot.</li> </ol>
Loose stitches	<ol style="list-style-type: none"> <li>The sewing machine is not correctly threaded.</li> <li>The lower thread is not threaded correctly.</li> <li>Needle/fabric/thread combination is wrong.</li> <li>Thread tension wrong.</li> </ol>	<ol style="list-style-type: none"> <li>Thread the sewing machine correctly.</li> <li>Thread the lower thread correctly.</li> <li>The needle size must suit the fabric and thread.</li> <li>Correct the thread tension.</li> </ol>
The seams contract or gather	<ol style="list-style-type: none"> <li>The needle is too thick for the fabric.</li> <li>The lower thread is not threaded correctly.</li> <li>Fabric has been pulled when sewing.</li> </ol>	<ol style="list-style-type: none"> <li>Select a finer needle.</li> <li>Thread the lower thread correctly.</li> <li>Use a suitable backing for fine or stretchy textiles.</li> </ol>
Irregular stitches Irregular feed	<ol style="list-style-type: none"> <li>The thread is too weak.</li> <li>The lower thread bobbin is not inserted correctly in the bobbin case.</li> <li>The lower thread is threaded incorrectly.</li> <li>Fabric has been pulled when sewing.</li> </ol>	<ol style="list-style-type: none"> <li>Use stronger thread.</li> <li>Insert bobbin correctly</li> <li>Thread the lower thread correctly.</li> <li>Do not pull on the fabric. It must be automatically moved by the sewing machine.</li> </ol>
The sewing machine is loud and gruff	<ol style="list-style-type: none"> <li>Fluff or oil have collected on the looper or needle bar.</li> <li>The needle is damaged.</li> <li>Slight humming sound coming from internal motor.</li> <li>Thread is caught in the looper.</li> <li>The feed dog is dirty with lint.</li> </ol>	<ol style="list-style-type: none"> <li>Clean the looper and feed dog.</li> <li>Replace the needle.</li> <li>This is normal.</li> <li>Remove the upper thread and bobbin case, turn the handwheel (25) backwards and forwards.</li> <li>Remove thread remnants.</li> </ol>
The sewing machine jams	<ol style="list-style-type: none"> <li>Thread is caught in the looper.</li> </ol>	<ol style="list-style-type: none"> <li>Remove the upper thread and the bobbin case. Turn the handwheel (25) back and forth and remove the thread remnants.</li> </ol>

### NOTE

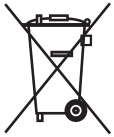
If the problem is still not solved, please contact your customer services.

### NOTE

During sewing, if the thread has been jammed inside the looper and needle movement stops. If you continue to sew, the sewing machine will stop automatically due to safety. If the sewing machine stops, please turn off the machine first and then turn on again.

## Disposal of electrical devices

---



- Dispose of devices with dangerous defects immediately and ensure that they can no longer be used.
- Do not dispose of the sewing machine in normal domestic waste.
- This product is subject to 2012/19/EU
- Dispose of the sewing machine at a registered waste disposal firm or through your local authority waste disposal facility.
- Observe the regulations currently in force. In case of doubt, consult your waste disposal facility.
- Please dispose of all packaging materials in an environmentally friendly manner.

Keep the sewing machine's transport packaging. It may be useful for storing the machine, but is particularly useful if you want to send the sewing machine away for repair. Most instances of damage occur when the machines are being transported.

## Disposal of the packaging

---

Keep the sewing machine's transport packaging. On the one hand, it can be useful for storing the sewing machine - but especially if you want to send the sewing machine for repair. Most damage occurs during transport. The packaging is made of environmentally friendly materials that can be disposed of at your local recycling facilities. The packaging is made of environmentally friendly materials that can be disposed of at your local recycling facilities. By disposing of the packaging and packaging waste correctly, you help to avoid potential hazards to the environment and health.

For example, this recycling symbol marks an item or parts of materials as valuable for recovery.

Pay attention to the labelling of packaging materials when separating waste, these are marked with abbreviations (a) and numbers (b) with the following meaning: 1 - 7: plastics / 20 - 22: paper and cardboard / 80 - 98: composites. Recycling helps to reduce the consumption of raw materials and to protect the environment.

## Notices of conformity

---

This device complies with the requirements of the applicable European and national directives. Conformity has been demonstrated. Corresponding declarations and documents are available from the manufacturer.

## Warranty of Crown Technics GmbH

---

You receive a 3-year warranty on this device from the date of purchase. In the event of defects in this device, you have legal rights against the seller of the device. These legal rights are not limited by our warranty set out below.

### Warranty conditions

---

The warranty period begins on the date of purchase. Please keep the original receipt in a safe place. This is required as proof of purchase. If a material or manufacturing defect occurs within three years from the date of purchase of this device, we will - at our option - repair or replace the device for you free of charge or refund the purchase price. This warranty service requires that the defective device and the proof of purchase (receipt) are submitted within the three-year period and that a brief written description is provided about the nature of the defect and when it occurred.

If the defect is covered by our warranty, you will receive the repaired or a new unit back. Repair or replacement of the device does not start a new warranty period.

### Warranty period and statutory claims for defects

---

The warranty period is not extended by the warranty coverage. This also applies to replaced and repaired parts. Any damage and defects already present at the time of purchase must be reported immediately after unpacking. Repairs that occur after the expiry of the warranty period are subject to a charge.

### Scope of warranty

---

The device has been carefully produced according to strict quality guidelines and conscientiously tested before delivery.

The warranty applies to material or manufacturing defects. This warranty does not cover parts of the device that are subject to normal wear and tear and can therefore be considered wear parts or for damage to fragile parts, e.g. switches, batteries, or parts that are made of glass.

This warranty is void if the device has been damaged, improperly used or serviced. For proper use of the device, all the instructions given in the user manual must be strictly observed. Purposes and actions advised against or warned against in the user manual must be avoided at all costs.

The device is intended for private use only and not for commercial use. Abusive and improper handling, use of force and interventions not carried out by our authorised service branch will invalidate the warranty.

### Handling the warranty claims

---

To ensure that your request is processed quickly, please follow the instructions below:

- For all enquiries, please have the receipt and item number (e.g. IAN 123456) ready as proof of purchase.
- The item number can be found on the type plate on the device, an engraving on the device, the title page of your user manual (bottom left) or the sticker on the back or bottom of the device.
- If functional errors or other defects occur, first contact the service department named below by telephone or e-mail.
- You can then send a device that has been recorded as defective to the service address provided to you free of charge by enclosing the proof of purchase (receipt) and stating what the defect is and when it occurred.

At [www.lidl-service.com](http://www.lidl-service.com) you can download these and many other user manuals, device videos and installation software.

This QR code will take you directly to the Lidl service page ([www.lidl-service.com](http://www.lidl-service.com)) and you can open your user manual by entering the item number (IAN) 413627.



### Service number

---

These operating and safety instructions cannot take into account every possible use. For further information or in case of problems that are not covered at all or covered insufficiently in these operating and safety instructions, please contact the service number: 00800 555 00 666 (free of charge).

Keep the operating and safety instructions carefully and pass them on to later users.

#### Service Address:

**CROWN Service Center**  
**teknihall Elektronik GmbH**  
**Assar-Gabrielsson-Str. 11-13**  
**DE-63128 Dietzenbach**  
**GERMANY**

**[sewingguide-service-gb@teknihall.com](mailto:sewingguide-service-gb@teknihall.com)**

**IAN 413627**

Please contact us before sending in the defective unit; we will also be happy to call you back. The warranty is only valid if the defective device is sent in with a copy of the receipt. Items sent postage unpaid cannot be accepted; request a return voucher.

For all enquiries, please have the receipt and item number (e.g. IAN 12345) ready as proof of purchase.

### Manufacturer

---

Please note that the following address is not a service address. First, contact the service point indicated above.

Crown Technics GmbH  
Turmstraße 4  
DE-78467 Konstanz  
GERMANY

<b>A</b>			
Accessories	15	<b>P</b>	
Adjusting the upper thread tension	29	Package contents and accessories	9
Altering the stitch length and width	31	Sewing patchwork	54
Applique	55	<b>Q</b>	
Attaching and removing the presser foot	19	Quilting, sewing pieces of fabric together and sewing patchwork	53
Attaching and removing the presser foot holder	18		
<b>B</b>		<b>R</b>	
Blind hem	42	Raising or lowering the feed dog	21
Bringing up the lower thread	28	Reinforcing stitches	46
<b>C</b>		Reverse sewing	36
Care and cleaning	57	<b>S</b>	
Cleaning the looper, bobbin housing and feed dog	57	Safety instructions	13
Cleaning the machine surface	57	Satin stitch sewing	51
Concealed zippers	50	Scallop hem	56
Connecting the sewing machine to the power supply	17	Scallop stitch	56
Customer services	62	Selecting stitch	30
<b>D</b>		Selection of an installation site	17
Description of parts	9	Service number	62
Description of the user	8	Sewing basics	29
Disposal of electrical devices	60	Sewing buttonholes	43
Disposal of the packaging	60	Sewing buttons	47
<b>E</b>		Sewing corners	37
Environment, Disposal, Conformity	60	Sewing curves	36
Explanation of the graphic symbols	13	Sewing elastic band to fabric	40
Explanation of the safety instructions	8	Sewing heavy fabric	38
<b>F</b>		Sewing in the zippers	48
Fagoting	55	Sewing stretch fabrics	37
<b>G</b>		Sewing stretch fabrics	39
Gathering	51	Sewing thick fabrics	36
<b>I</b>		Sewing thin fabrics	37
Inserting the bobbin with the lower thread	24	Signal tones	58
Inserting the edge/quilt guide	19	Smocking	52
Inserting the needle	18	Starting to sew	34
Installing the sewing table	17	Stitch chart	30
Intended use	8	Storage	57
<b>L</b>		Straight stitch	32
LCD screen	10	Straight stretch stitch	39
<b>M</b>		<b>T</b>	
Maintenance	57	Technical data	12
Matching the needle, fabric and thread	20	Thread tension	29
Matching the needle, fabric and thread	20	Threading	25
<b>N</b>		Threading the upper thread	25
Neatening	41	Troubleshooting guide	59
Needle up/down button	11	<b>U</b>	
Notes on warranty and service	61	Useful skills	36
Notices of conformity	60	Using the two-step presser foot lever	21
<b>O</b>		<b>W</b>	
Operating speed of the sewing machine	22	Warning function	58
Operation buttons	10	Winding the lower thread	22
Optional accessories	9	<b>Z</b>	
		Zigzag stitch	33
		Zigzag stretch stitch	39



**AT** Free service telephone for complaints:  
**EN** 00800 555 00 666  
**CH** sewingguide-service-de@teknihall.com

Version:  
11/2022

Onlineversion

[www.sewingguide.de](http://www.sewingguide.de)

**IAN 413627\_2204**

**EN**