

SILVERCREST®



SEWING MACHINE SNM 33 C1

GB IE NI

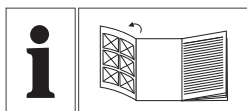
SEWING MACHINE
Operation and Safety Notes

DE AT CH

NÄHMASCHINE
Bedienungs- und Sicherheitshinweise

IAN 359295_2010

GB IE NI
DE AT CH



GB IE NI

Before reading, unfold the page containing the illustrations and familiarise yourself with all functions of the device.

DE AT CH

Klappen Sie vor dem Lesen die Seite mit den Abbildungen aus und machen Sie sich anschließend mit allen Funktionen des Gerätes vertraut.

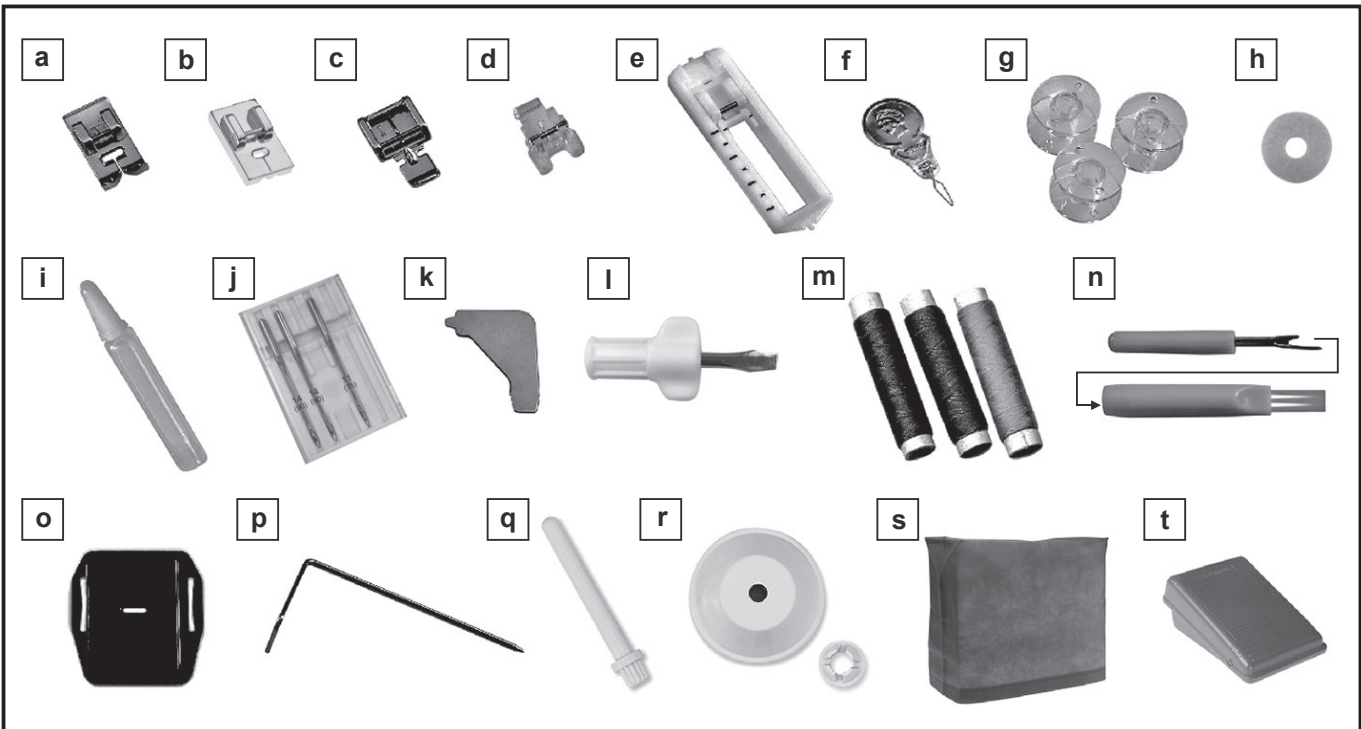
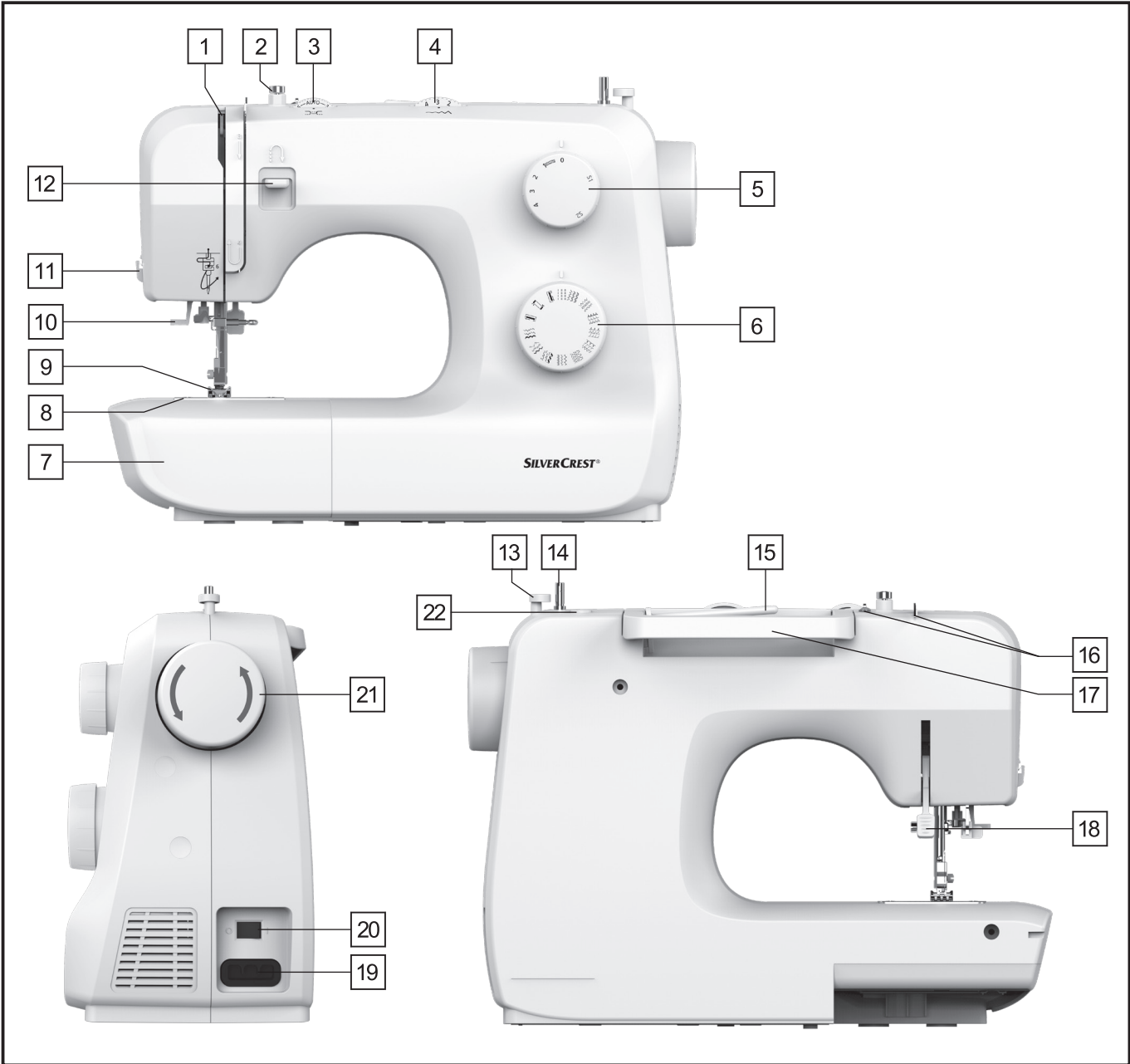
Further helpful hints for using your Silvercrest sewing machine can be found under the following link or QR code.

Weitere hilfreiche Hinweise zum Einsatz Ihrer Silvercrest-Nähmaschine finden Sie unter folgendem Link oder QR-Code.

<http://snm33c1.sewing.guide>



GB / IE / NI	Operation and Safety Notes	Page	5
DE / AT / CH	Bedienungs- und Sicherheitshinweise	Seite	31





Introduction

Introduction	6
Intended use	6
Sewing machine components	6
Accessories	6
Technical data	7

Important safety instructions

Important safety instructions	8
-------------------------------------	---

Getting ready

Connecting machine to power source	9
Installing the snap-in sewing table	10
Inserting the needle	10
Two-step presser foot lifter	11
Attaching the presser foot holder	11
Winding the lower thread	12
Inserting the bobbin	12
Threading the upper thread	13
Automatic needle threader	14
Thread tension	15
Bringing up the lower thread	15

Sewing basics

Sewing / Useful applications	16
Matching the needle, fabric and thread	17
How to choose your stitch	18
Straight stitching and needle position	18
Zigzag stitching	19
Zipper foot	19
Invisible zipper application	20
Blind stitch	21
Button sewing foot	21
Buttonhole foot	22
Overlock stitches	23
3-step zigzag	23
Stretch-stitch	24
Patch work	24
Monogramming and embroidering with embroidery hoop*	25
Applique	26
Scallop stitching	26

Maintenance

Maintenance	27
Storage	27
Trouble shooting guide	28

Disposal / Guarantee / Service / Manufacturer

Disposal	29
Guarantee	29
Service number	30
Manufacturer	30

Introduction

Congratulations on the purchase of your sewing machine. You have bought a top quality product which has been manufactured with great care.

These Operating Instructions contain all you need to know about using your sewing machine. However, if you still have any questions, please contact your dealer. We hope you enjoy your sewing machine and wish you success.

Before you use the sewing machine for the first time, it is essential that you make yourself fully familiar with the functions of the sewing machine and discover how to use the sewing machine correctly. Read the following Operating Instructions as well as the safety instructions. Keep these instructions in a safe place. When passing the sewing machine on to a third party, pass these instructions on, too.

Intended use

The sewing machine is **intended** ...

- for use as a movable machine
- for sewing typical household textiles
- only for private household use

The sewing machine is **not intended** ...

- to be installed at a fixed location
- for the processing of other materials (e.g. leather or other heavy materials such as tent or sail fabrics)
- for commercial or industrial use


Sewing machine components

- | | |
|------------------------------|---------------------------------|
| 1 Thread take-up lever | 12 Reverse sewing lever |
| 2 Bobbin thread guide | 13 Bobbin winder stopper |
| 3 Thread tension dial | 14 Bobbin winder spindle |
| 4 Needle width dial | 15 Spool pin |
| 5 Stitch length dial | 16 Upper thread guide |
| 6 Pattern selector dial | 17 Handle |
| 7 Sewing table | 18 Two-step presser foot lifter |
| 8 Needle plate | 19 Main plug socket |
| 9 Presser foot | 20 Power switch |
| 10 Automatic needle threader | 21 Hand wheel |
| 11 Thread cutter | 22 Hole for second spool pin |

Accessories

- | | |
|---------------------------------------------------------------------------------------------|----------------------------------------|
| a All-purpose presser foot (already installed) | k L-screwdriver |
| b Invisible zipper foot | l Screwdrivers |
| c Zipper foot | m Bobbins(1x blue, 1x pink, 1x yellow) |
| d Button sewing foot | n Stitch ripper / brush |
| e Buttonhole foot | o Embroidery and darning plate |
| f Needle threader | p Edge / quilt guide |
| g Bobbins(4x)(1x already installed) | q Secondary spool pin |
| h Felt cushion | r Spool pin cap(large & small) |
| i Oil bottle | s Dust cover |
| j Needle box: 3x single needles(90/#14)
(1x already installed), 1x single needle(75/#11) | t Foot pedal / power plug |

Technical data

Rated voltage		230 Volt/ 50 Hz
Power rating	- Total	70 Watt
Dimensions	- When handle is folded down	Approx. 388x275x169 mm (LxHxW)
Cable length	- Power cable	Approx. 1.8 m
	- Foot control cable	Approx. 1.4 m
Weight	- Machine	Approx. 5.6 kg
Material		Aluminium / plastic
Operating components	- Mains power switch ON/OFF	Supplied
	- Foot pedal for sewing speed	Supplied
Display components	- Sewing light	Supplied
Looper system		Oscillating hook
Needle system		130/705H
Interference-free		In acc. with EU Directive
TÜV SÜD approved		Yes
Product guarantees		3 years
Protection class		II 

Important safety instructions

When using an electrical appliance, the basic safety instructions should always be followed. Read all Operating Instructions before using this sewing machine.

DANGER - To reduce the risk of electric shock:

1. The sewing machine should never be left unattended when plugged in.
2. Always remove the plug from the socket immediately after use as well as before cleaning and other maintenance.

WARNING - To reduce the risk of burns, fire, electric shock, or injury to persons:

1. Read the instruction carefully before you use the machine
2. Keep the instructions at a suitable place close to the machine and hand it over if you give the machine to a third party.
3. Use the machine only in dry locations.
4. This appliance can be used by children aged from 8 years and above and persons with reduced physical, sensory or mental capabilities or lack of experience and knowledge if they have been given supervision or instruction concerning use of the appliance in a safe way and understand the hazards involved.
5. Children shall not play with the appliance.
6. Cleaning and user maintenance shall not be made by children without supervision.
7. Always switch off the machine if you carry out preparation for work (change the needle, feed the yarn through the machine, change the footer, etc.).
8. Always unplug the machine if you leave it unattended, to avoid injury by expediently switch on the machine.
9. Always unplug the machine if you changing the lamp or carry out maintenance (oiling, cleaning).
10. Don't use the machine if it's wet or in humid environment.
11. Never pull at the cord, always unplug the machine by gripping the plug.
12. If the LED lamp is damaged or broken, it must be replaced by the manufacturer or its service agent or a similarly qualified person, in order to avoid a hazard.
13. Never place anything on the pedal.
14. Never use the machine if the air vents are blocked, keep the air vents of the machine and the food pedal free from dust, fusel and leftovers.
15. The machine must only be used with designated foot controller, in order to avoid a hazard. If the foot controller is damaged or broken, it must be replaced by the manufacturer or its service agent or a similarly qualified person.
16. The sound pressure level at normal operation is smaller than 75dB(A).
17. Do not dispose of electrical appliances as unsorted municipal waste, use separate collection facilities.
18. Contact your local government for information regarding the collection systems available.
19. If electrical appliances are disposed of in landfills or dumps, hazardous substances can leak into the groundwater and get into the food chain, damaging your health and well-being.
20. When replacing old appliances with new ones, the retailer is legally obligated to take back your old appliance for disposal at least for free of charge.

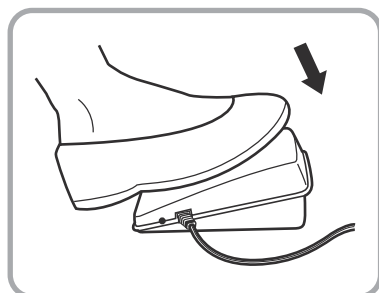
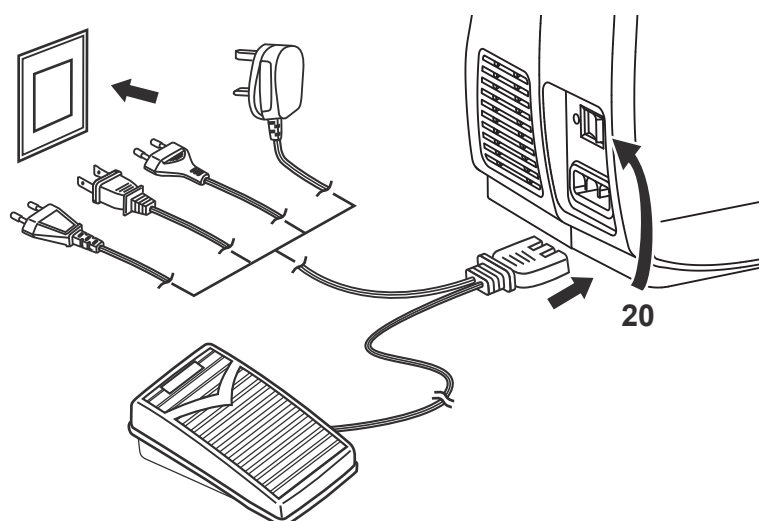
SAVE THESE INSTRUCTIONS

This sewing machine is intended for household use only.

Be sure to use the sewing machine in the temperature range from 5°C to 40°C.

If the temperature is excessively low, the machine can fail to operate normally.

Connecting machine to power source



Important:

Unplug power cable when machine is not in use.

Important:

Consult a qualified electrician if in doubt about connecting the machine to the power source. Unplug power cable if you are not using the power supply. The sewing machine must be used with the ELECTRONIC foot pedal (t) FC-2902D (220-240V), 4C-326G (230V), 4C-336G(220-240V).

Connect the machine to a power source as illustrated in the adjacent drawing.

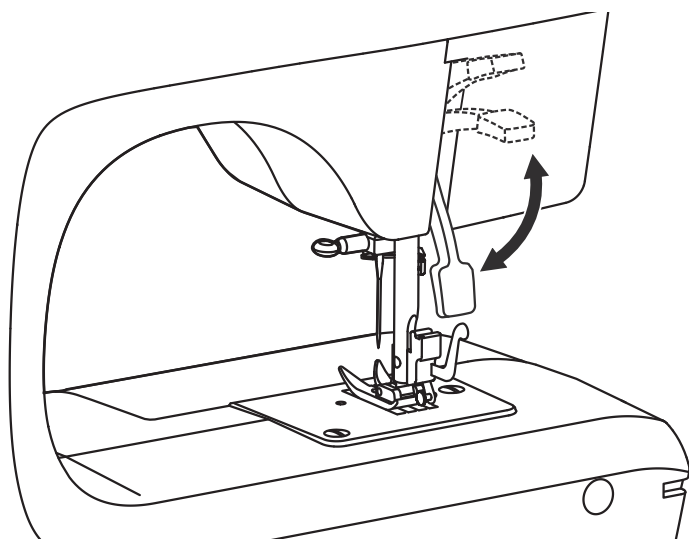
Illumination

The machine is started and the light switched on by pressing the main switch (20) in position "I".

Foot pedal

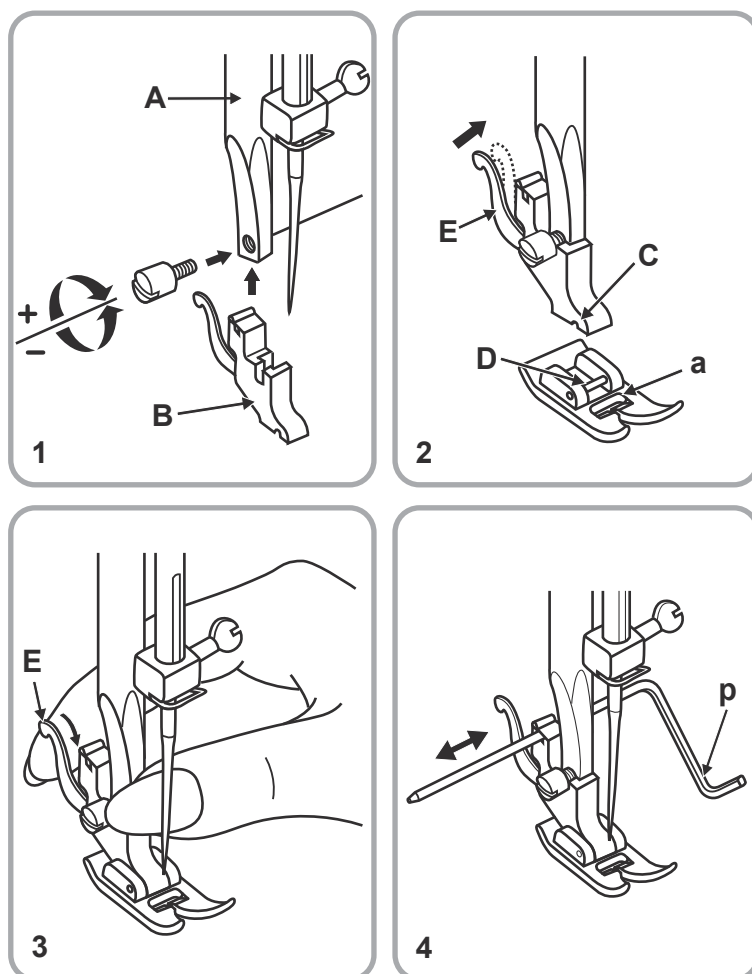
The operating speed of the machine is regulated with the pedal (t).

Two-step presser foot lifter



When sewing thick fabrics, the passage of fabrics under the presser foot (9) can be improved by raising the two-step presser foot lifter (18) further (arrow).

Attaching the presser foot holder



Important:

Turn the power switch (20) to off ("O") when carrying out all the operations!

1. Install the presser foot holder

Raise the presser bar (A) by lifting the two-step presser foot lifter (18). Attach the presser foot holder (B) as illustrated.

2. Inserting the presser foot

Lower the presser foot bar (A) until the groove (C) is directly above the pin (D). Lower the presser foot bar (A) as far as it will go. The presser foot (a) will engage automatically.

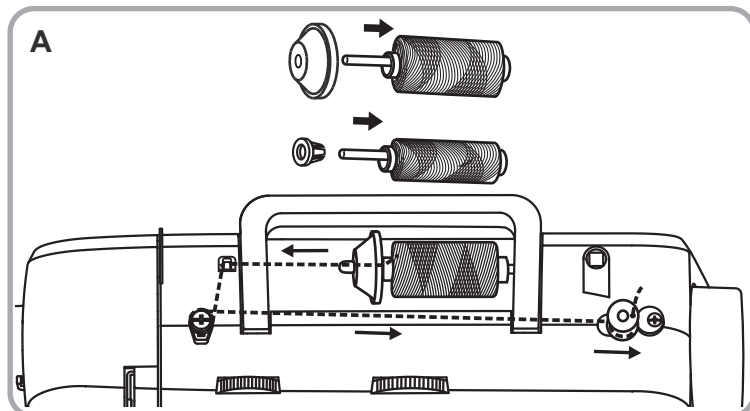
3. Removing the presser foot

Raise the presser foot.
Press the lever (E) gently towards the front and the presser foot disengages.

4. Inserting the edge/ quilt guide (p)

As shown in the illustration carefully insert the edge/ quilt guide (p) e.g. For hems, pleats, etc.

Winding the lower thread



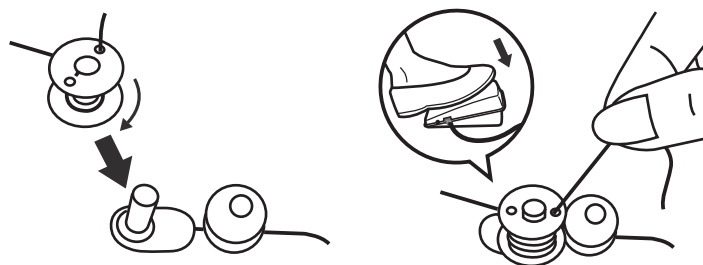
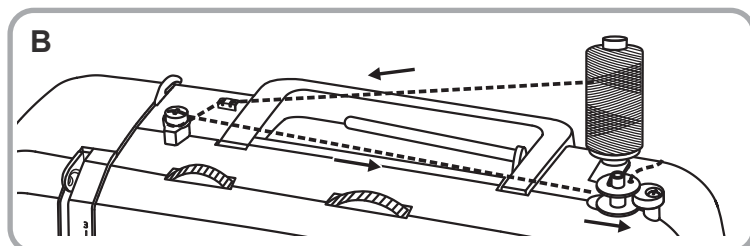
- A. Place the spool (m) on the spool pin (15) and hold it in place with a spool pin cap (r).
- Small spool pin cap for thin threads
 - Large spool pin cap for thick threads
- B. Or place the secondary spool pin (q) on to the hole for the second spool pin (22).

Pull the thread from the spool into the thread guide, and up to the bobbin (m) thread guide (2).

Pull the thread from the inside through a hole of the empty bobbin (g). Place the bobbin (g) on the bobbin (g) winder spindle (14) and then push to the right into the filling position.

Hold the end of the thread. Press the pedal (t). Release the pedal (t) after a few turns. Release the thread and cut as close as possible to the bobbin (g). Press the pedal (t) again.

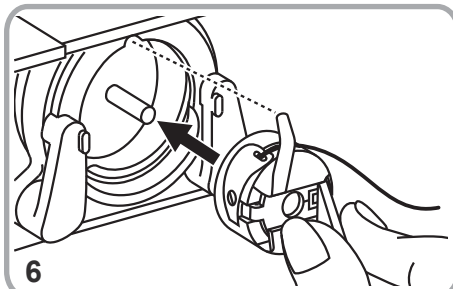
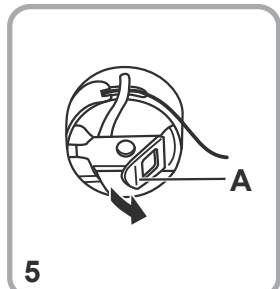
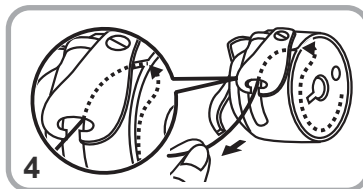
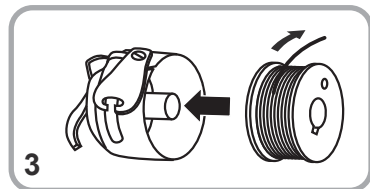
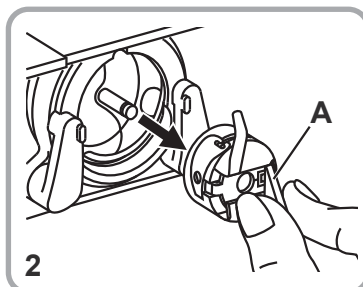
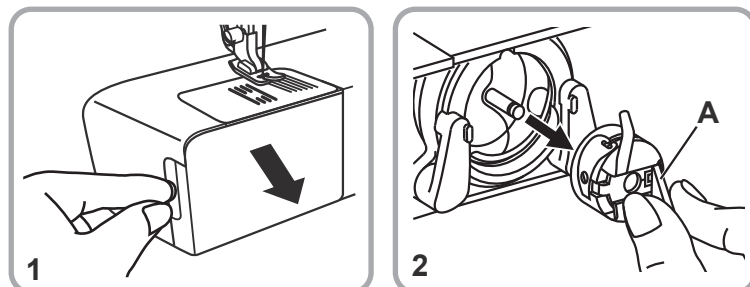
Once the bobbin (g) is full, it rotates more slowly. Release the pedal (t). Replace the bobbin (g) into sewing position and remove it.



Note:

If the bobbin winder spindle (14) is in the winding position, the sewing process is automatically interrupted. To sew, push the bobbin winder spindle (14) to the left (sewing position).

Inserting the bobbin



Important:

Turn the power switch (20) to off ("O").

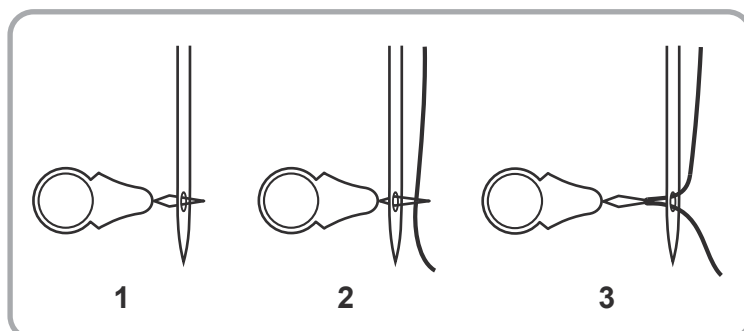
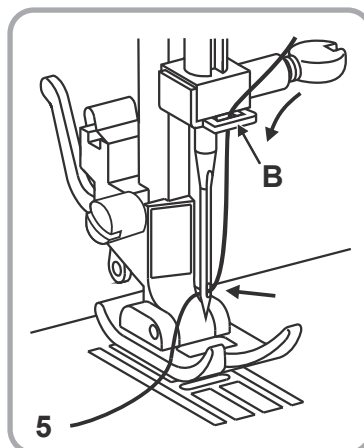
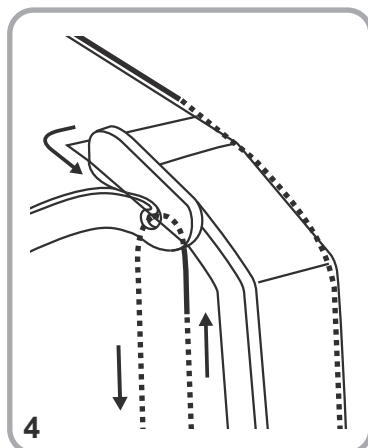
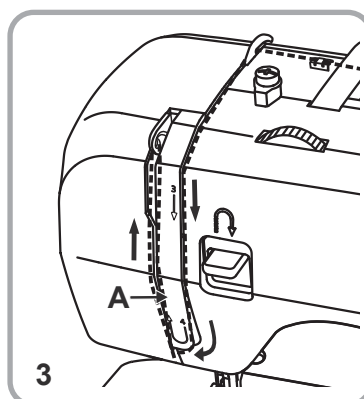
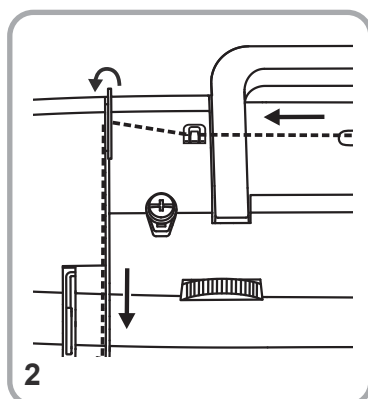
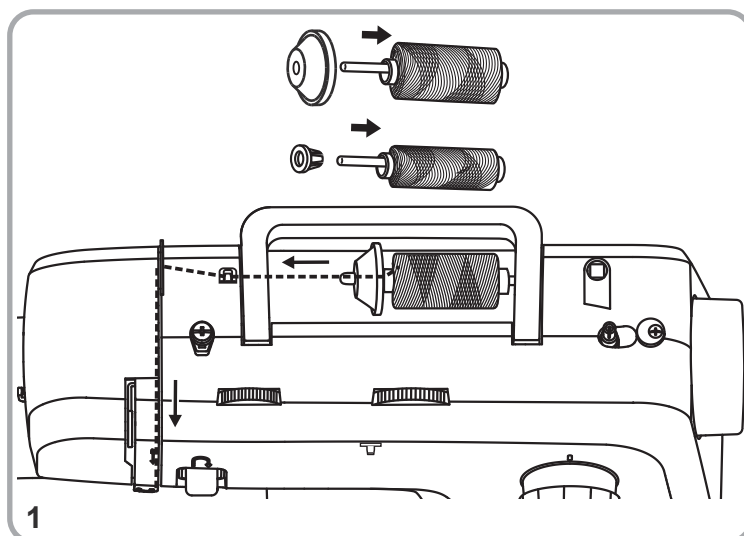
When inserting or removing the bobbin (g), the needle must be fully raised.

1. Remove the accessory box, and open the hinged cover.
2. Pull the bobbin case tab (A) and remove the bobbin case. Hold the bobbin case with one hand.
3. Insert the bobbin so that the thread runs in a clockwise direction (arrow).
4. Pull the thread into the slit and under the tension spring.
5. Hold the bobbin case between the index finger and thumb on the bobbin case tab (A).
6. Insert it into the shuttle race.

Note :

The method of bringing up the lower thread is explained on page 15.

Threading the upper thread



Important:

Turn the power switch (20) to off ("O"). Raise the presser foot bar by lifting the two-step presser foot lifter (18) and lift the thread lever (1) by turning the hand wheel (21) anti-clockwise. Follow the arrows and numbers on the sewing machine when threading.

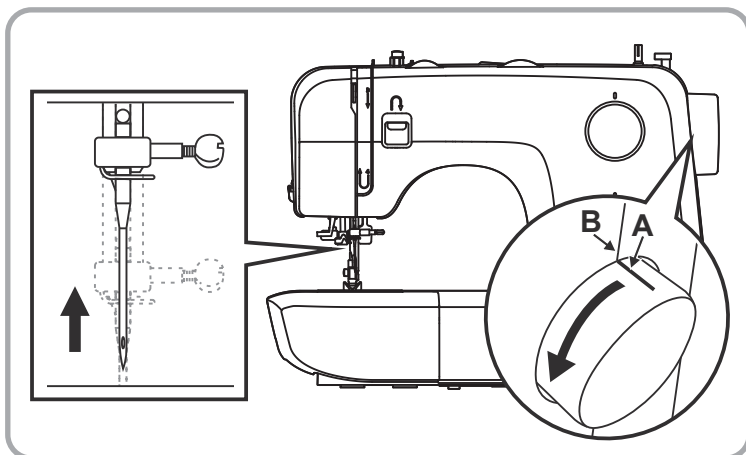
1. Place the spool (m) on the spool pin (15) and hold it in place with a spool pin cap (r).
 - Small spool pin cap for thin threads
 - Large spool pin cap for thick threads
2. Guide the upper thread through the upper thread guide (16) and guide it downwards.
3. Guide it to the left under the guide lug (A) and then upwards again.
4. Guide the thread from right to left through the thread take-up lever (1) and then downwards.
5. Guide the thread first behind the large, metal thread guide (B) and then through the eye of the needle. Always thread the needle from the front.

Needle threader

You can use the needle threader (f) as a threading aid.

1. Insert the needle threader (f) through the eye of the needle from back to front.
2. Guide the upper thread through the wire loop of the needle threader.
3. Pull the needle threader (f) together with the thread back through the eye of the needle.

Automatic needle threader

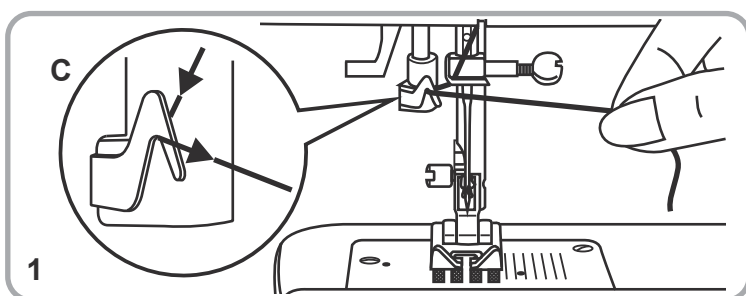


Attention:

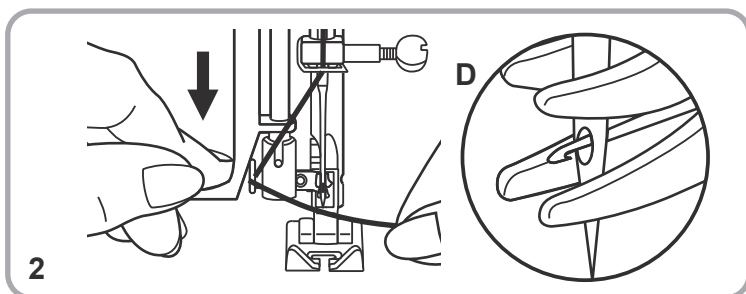
Turn the power switch (20) to off ("O") before threading the needle.

Important:

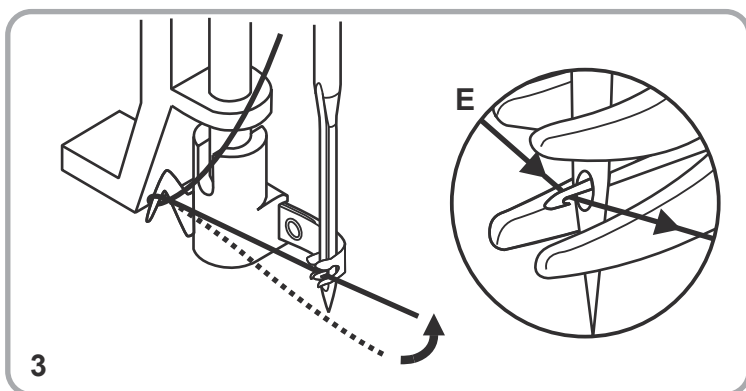
- Turn the hand wheel (21) toward you until the mark (A) matching with the line (B) on the machines.
- Then the needle will be at the relatively high position.



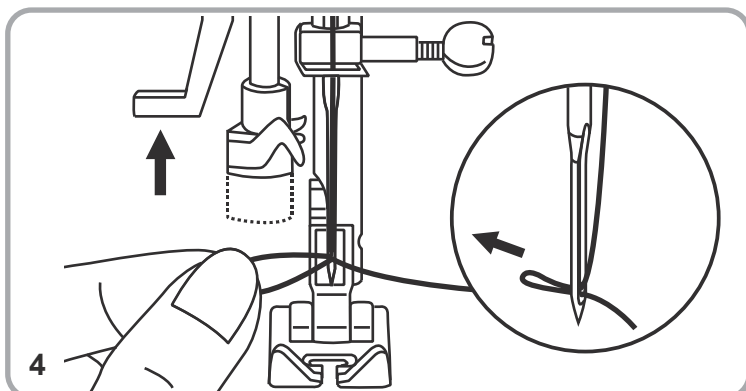
1. Lower the presser foot (9). Pass the thread around the thread guide (C).



2. Press the lever down as far as it goes. The needle threader turns automatically to the threading position and the tiny hook pin passes through the needle eye (D).

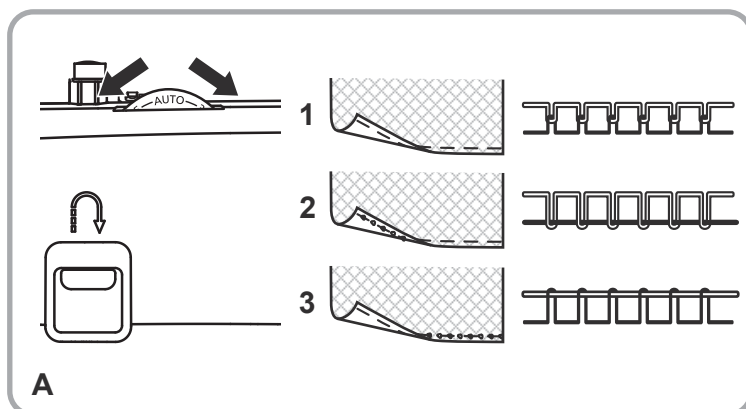


3. Take the thread in front of the needle and make sure it is under the hook pin (E). Then hold the thread slightly upwards so that it hangs on the hook.



4. Hold the thread loosely and release the lever slowly. The hook will turn and pass the thread through the eye of the needle, forming a loop. Pull the thread through the eye of the needle.

Thread tension



A. Upper thread tension

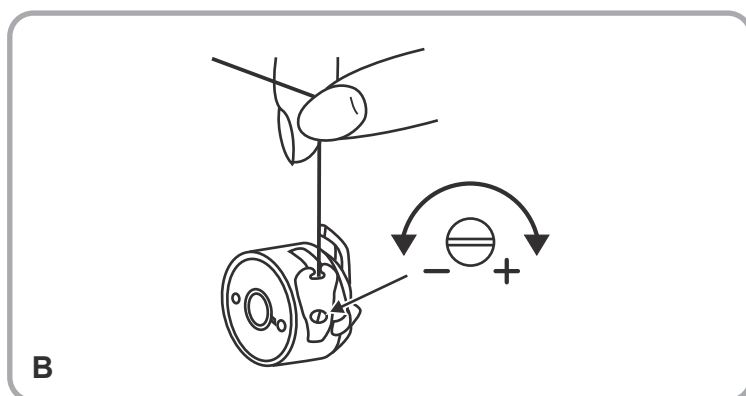
Basic upper thread tension setting: "AUTO"

To increase the tension, turn the dial to the next higher number. To reduce the tension, turn the dial to the next lower number.

1. Normal thread tension
2. Upper thread tension too loose
3. Upper thread tension too tight

Note:

The upper thread tension must be set at 2-3 when sewing the lightweight fabrics, like silk and jersey etc.



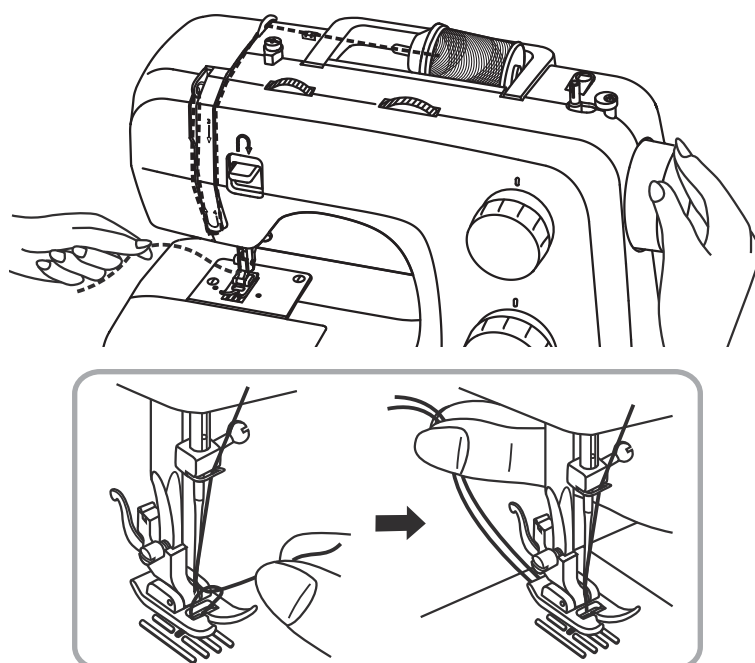
B. Lower thread tension

Note:

The bobbin tension is adjusted correctly during manufacturing, therefore no changes are necessary.

To test the bobbin (g) thread tension, the full bobbin is placed in the bobbin case. The bobbin case and gripper are then suspended by the end of the thread. If the tension is correct, the thread will unwind by about 5 to 10 cm. when gently swung and will then remain suspended. If the full bobbin case unwinds, the tension is too slack. If the tension is too tight, it hardly unwinds or does not unwind at all. To adjust, use the screwdriver (I).

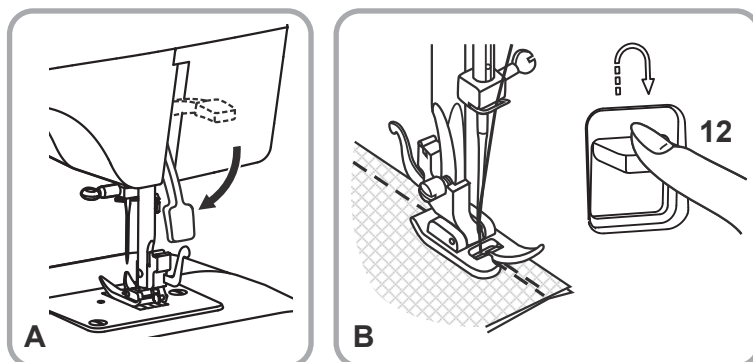
Bringing up the lower thread



Hold the end of the upper thread with the left hand. Turn the handwheel (21) in the anticlockwise direction until the needle is again raised (a complete revolution).

Pull on the upper thread to bring the lower thread up through the stitch plate hole. Lay both threads to the back under the presser foot (9).

Sewing / Useful applications

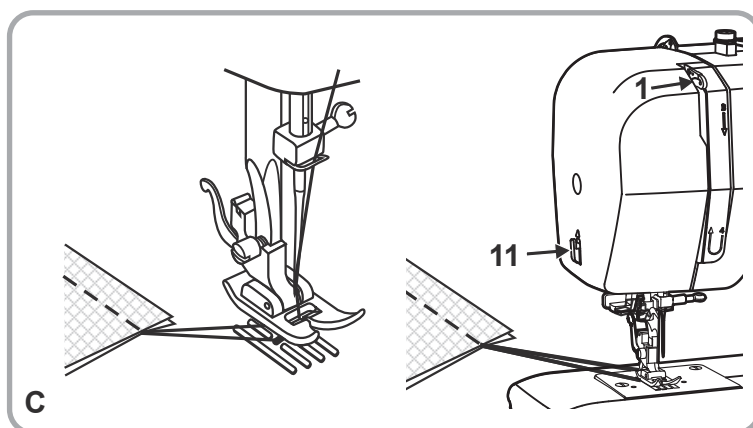


A. Sewing

Once the sewing machine is correctly threaded and adjusted, lower the presser foot (9) before sewing by lowering the two-step presser foot lifter (18). Press the foot pedal (t) to start sewing.

B. Stitching

At the end of seam, press down the reverse sewing lever (12). Sew a few reverse stitches. Release the lever and the machine will begin to sew forwards again.



Reverse sewing is used to lock the threads in the beginning and at the end of the seam or wherever reinforcement is needed.

C. Releasing the material

Turn the hand wheel (21) anticlockwise to put the thread take-up lever (1) into its highest position. Lift the presser foot (9) and pull the material back in order to release it.

C. Cutting the thread

Hold the threads behind the presser foot with both hands; guide them to the thread cutter (11) and move your hands down.

Matching the needle, fabric and thread

NEEDLE, FABRIC, THREAD SELECTION GUIDE

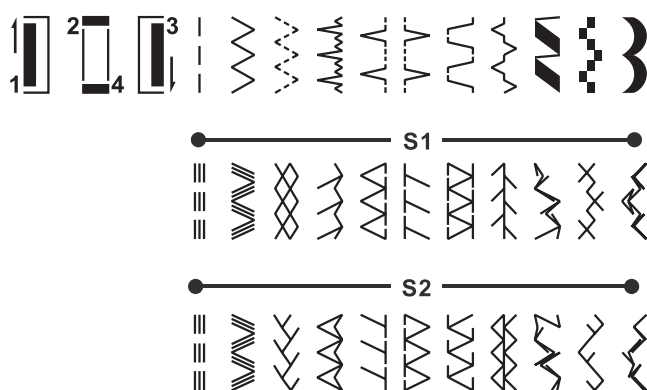
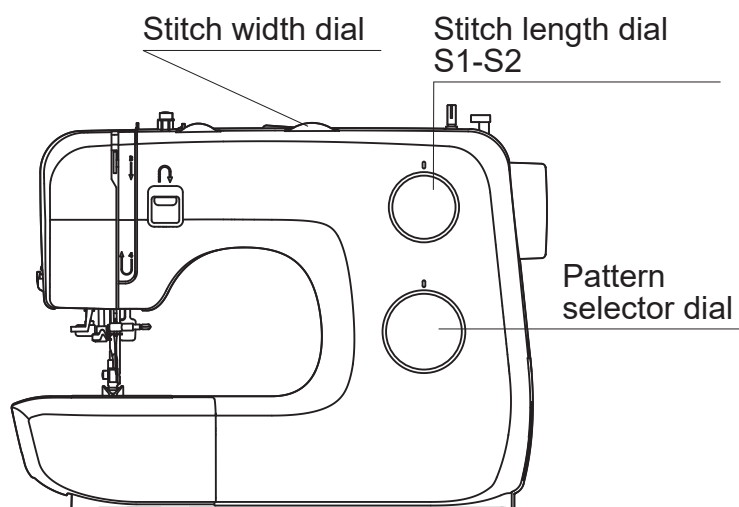
NEEDLE SIZE	FABRICS	THREAD
9-11 (65-75)	Lightweight fabrics: thin cottons, voile, serge, silk, muslin, interlocks, cotton knits, jerseys, crepes, woven polyester, shirt & blouse fabrics.	Light-duty thread in cotton, nylon or polyester.
12 (80)	Medium weight fabrics: cotton, satin, heavy muslin, sailcloth, double knits, light woollens.	Most threads sold are medium size and suitable for these fabrics and needle sizes. Use polyester threads on synthetic materials and cotton on natural woven fabrics for best results. Always use the same thread on top and bottom.
14 (90)	Medium weight fabrics: cotton duck, woollens, heavier knits, terrycloth, denims.	
16 (100)	Heavyweight fabrics: canvas, woollens, canvas and quilted fabrics, denims, upholstery material (light and medium).	

IMPORTANT: Match needle size to thread size and weight of fabric.

Please Note:

- In general, fine threads and needles are used for sewing fine fabrics, and thicker threads are used for sewing heavy fabrics.
- Always test thread and needle size on a small piece of fabric which will be used for actual sewing.
- Use the same thread for needle and bobbin.
- Use the stabilizer material for fine or stretchy fabrics, and select the correct presser foot.
- The upper thread tension must be set at 2-3 when sewing the lightweight fabrics, like silk and jersey etc.
- Use the pins to fix the fabrics first before sewing two or more pieces of fabrics together.

How to choose your stitch



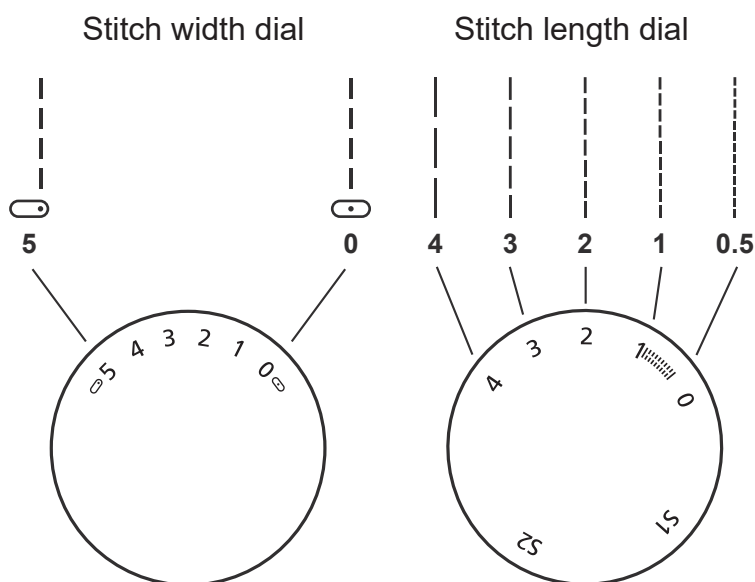
For **straight stitch**, turn the pattern selector dial (6) until the straight stitch coincides with the mark. You can adjust the needle position from central to right by turning the stitch width dial from "0" to "5".

For **zigzag stitch**, turn the pattern selector dial (6) until the zigzag stitch coincides with the mark. Adjust the stitch length and stitch width according to the fabric being used.

To obtain any of the other **stitches shown in the upper row**, turn the pattern selector dial until the required stitch coincides with the mark. Adjust the stitch length and the stitch width as required. In order to achieve an optimal result for the decorative stitches of the first row, the stitch length should be set between "0.3" and a maximum of "0.5".

To obtain any of the **stitches on the second row**, turn the stitch length dial (5) to "S1". To obtain any of the **stitches on the third row**, turn the stitch length dial (5) to "S2", select the stitch desired with the pattern selector dial (6) and turn the pattern selector dial (6) until the required stitch coincides with the mark. Set the stitch length as required.

Straight stitching and needle position

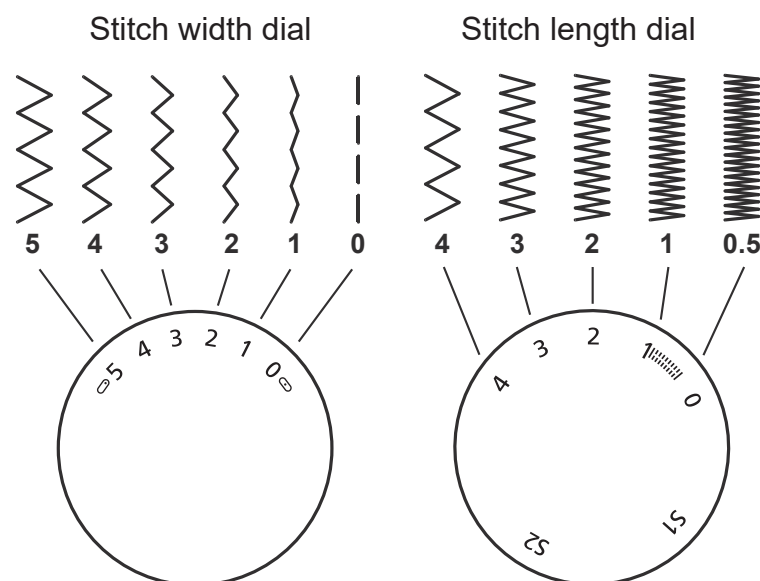


Turn the pattern selector dial (6) to straight stitch.

Generally speaking, the thicker the fabric, thread and needle, the longer the stitch should be.

Select the needle position from central to right by turning the stitch width dial (4) from "0" to "5".

Zigzag stitching



Turn the pattern selector dial (6) to zigzag stitch.

The function of stitch width dial (4)

The maximum stitch width for zigzag stitch is "5"; however, the stitch width can be reduced on any type of stitch. The width increases as you turn the stitch width dial (4) from "0" to "5".

The function of stitch length dial (5) while zigzagging

The density of zigzag stitches increases as the setting of the stitch length dial approaches "0". For a good zigzag stitch, a stitch width of 2.5 or less is used.

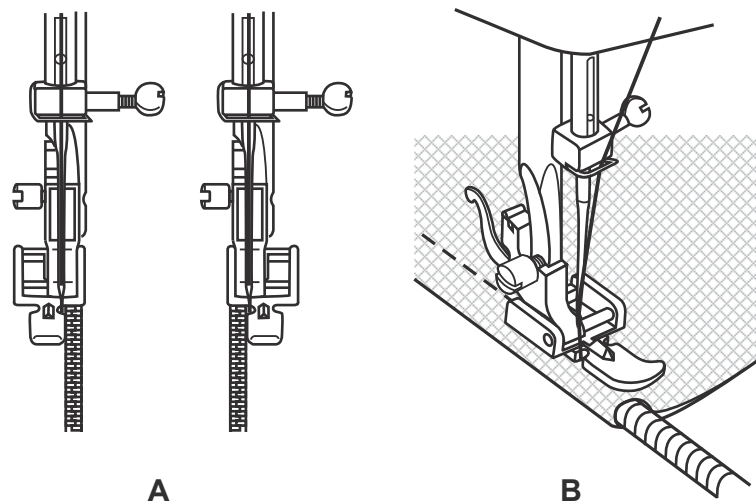
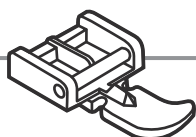
Satin stitch

When the stitch length is set between "0" - "1", the stitches are very close together producing the "satin stitch" which is used for making buttonholes and decorative stitches.

Fine fabric

When sewing very fine fabric, place a piece of fleece under the fabric.

Zipper foot



Stitch	Stitch width	stitch length
---	2.5	1~4

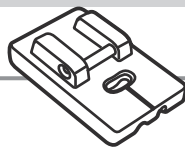
The zipper foot can be inserted right or left, depending on which side of the foot you are going to sew. (A)

To sew past the zip pull, lower the needle into the fabric, raise the presser foot and push the zip pull behind the presser foot. Lower the foot and continue to sew.

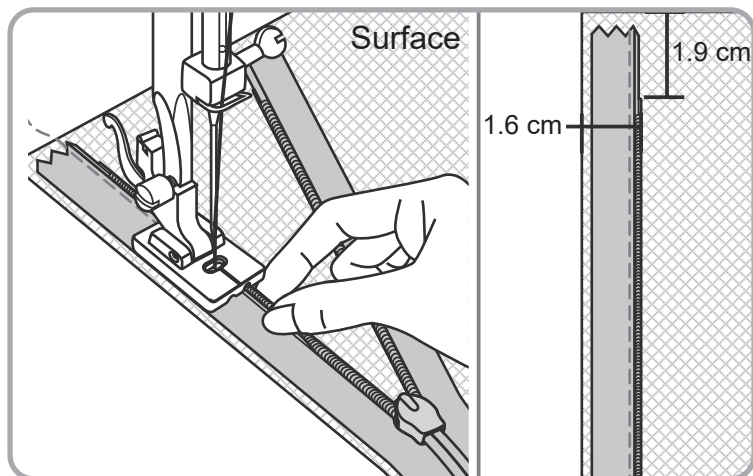
It is also possible to sew in a length of cord, into a bias strip to form a "welt". (B)

According to thickness of fabric to set stitch length dial (5).

Invisible zipper application

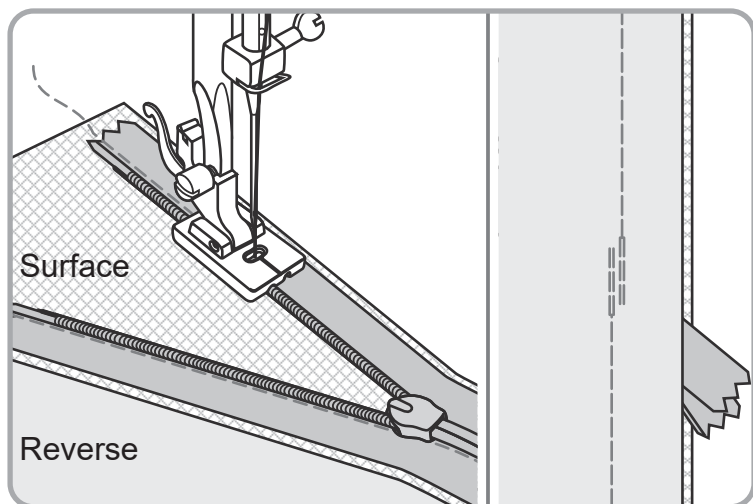


The Invisible Zipper Foot provides an invisible closing on skirts, dresses and a variety of garments and accessories.



Attach the invisible zipper foot to the machine, with the needle lined up with center mark. Place open zipper face-down on right side of fabric as shown. Pin in place with coil on seam line (1.6 cm) and top stop 1.9 cm below raw edge of garment. With right-hand groove of foot over coil, stitch zipper until the foot hits the slider (remove pins as you come to them.) Back-tack.

To attach the other half of the zipper, pin tape face-down with coil on seam line (1.6 cm) and top stop 1.9 cm below raw edge of garment, as before. Make sure that the zipper is not twisted at the bottom. Use the left-hand groove of foot, making sure that the center marking is still lined up with the needle and stitch, as before.

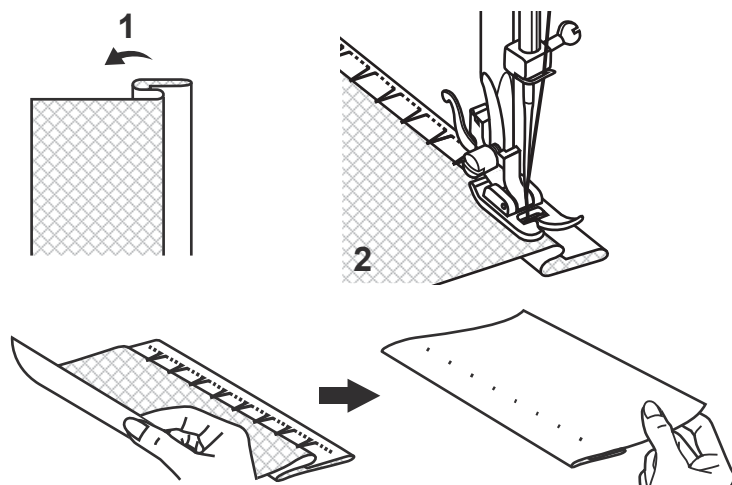
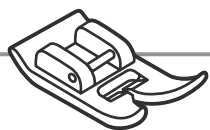


Close zipper. Slide zipper foot (c) to the left so that needle is in the outer notch. Pin the seam together below zipper opening. Fold end of zipper out of the way and lower the needle by hand slightly above and to the left of the last stitch.

Stitch seam for about 5 cm, as shown. Pull thread through to one side and tie. Change to regular presser foot and complete the seam.

At zipper end, stitch about 2.5 cm of each zipper tape to seam allowance only.

Blind stitch



Stitch	Stitch width	stitch length
	3~5	1~2

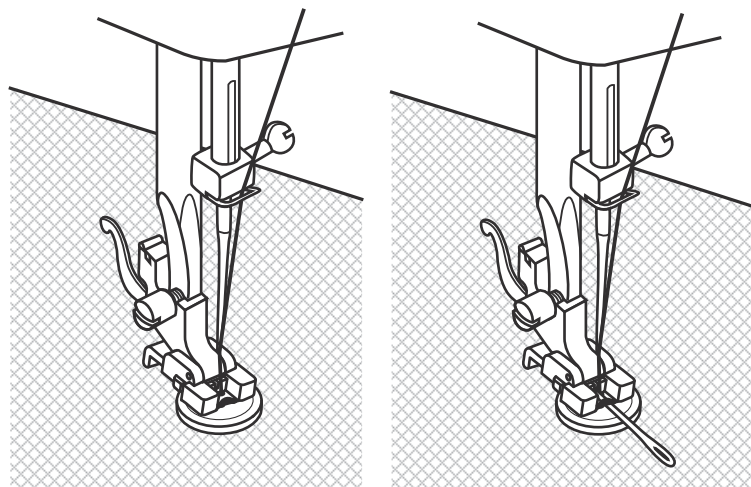
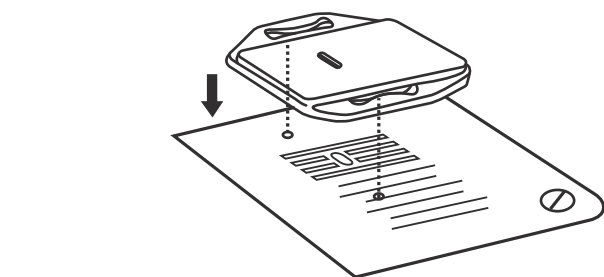
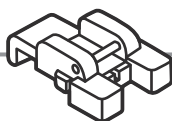
For hems, curtains, trousers, skirts, etc.

.. Blind stitch for elastic fabrics.

1. Fold the fabric as illustrated with the left side uppermost.
2. Place the reversed fabric under the all purpose presser foot (a). Turn the handwheel (21) forwards by hand until the needle is fully to the left. It should just pierce the fold of the fabric. If it does not, adjust the stitch width accordingly.

Sew slowly and guide the fabric carefully so that its position does not change in relation to the guide.

Button sewing foot



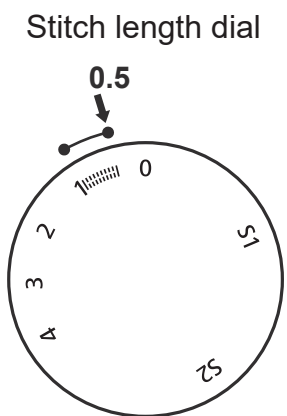
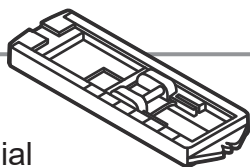
Stitch	Stitch width	stitch length
	0~5	0

Install the embroidery and darning plate (o).

Position the work under the foot. Place the button on the marked position, lower the presser foot, adjust stitch width to "0" and first sew a few securing stitches in the left hole. Adjust the stitch width (usually between 3 and 4). Sew some check stitches with the handwheel (21) until the needle goes cleanly into the right hole of the button (vary the stitch width depending on the button) and sew on the button. Adjust the stitch width to "0" and sew a few securing stitches.

If a shank is required, place a darning needle on top of the button and sew. For buttons with 4 holes, sew through the front two holes first, push the work forward and then sew through the back two holes as described.

Buttonhole foot



Stitch	Stitch width	stitch length
	5	0.5~1

Preparation:

Remove the presser foot and attach the buttonhole foot (e). Adjust the stitch length dial (5) to between "0.5" - "1". The density of the stitch depends on thickness of the fabric.

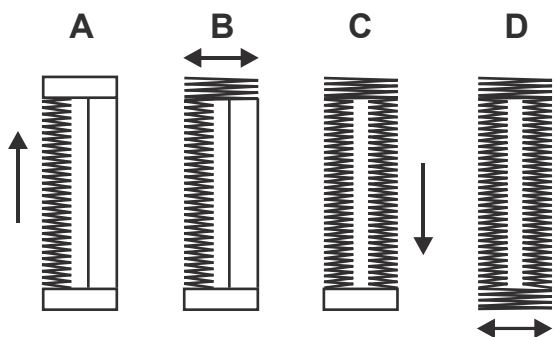
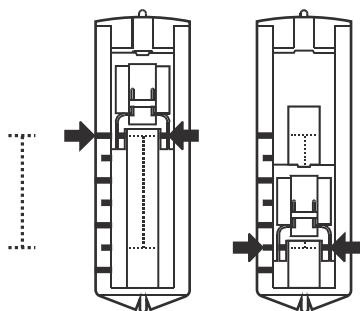
Note: Always test sew a buttonhole.

To prepare the fabric:

Measure the diameter of the button and add 0.3cm (1/8") for the bartacks. If you have a very thick button, add more to the diameter measurement. Mark the position and length of the buttonhole on the fabric. Raise the needle to its highest position.

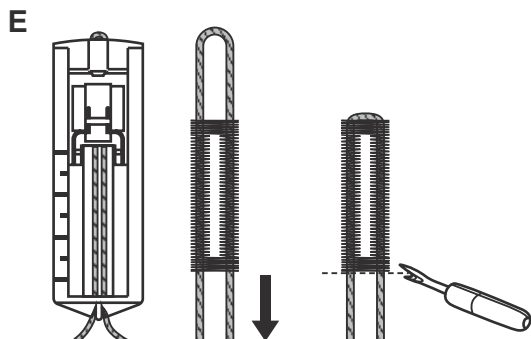
Position the fabric so that the needle is on the mark that is furthest from you.

Push the buttonhole foot (e) towards you as far as it will go. Lower the foot.



- Turn the pattern selector dial (6) to "
. Sew at moderate speed until you reach the end mark. Raise the needle to its highest position.
- Turn the pattern selector dial (6) to "
 and sew 5-6 bar tack stitches. Raise the needle to its highest position.
- Turn the pattern selector dial (6) to "
 and sew the right side of the buttonhole to the mark at the end which is further from you. Raise the needle to its highest position.
- Turn the pattern selector dial (6) to "
 and sew a few bar tack stitches. Raise the needle to its highest position.

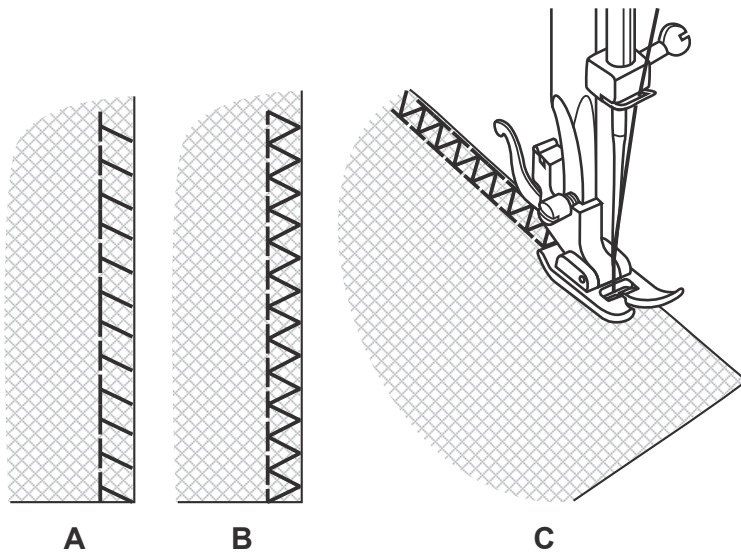
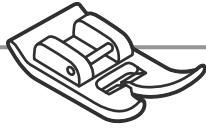
Lift the foot. Remove the fabric from under the foot and separate the threads. Draw the upper thread through the fabric to the ear and knot the upper and lower threads. Cut the centre of the buttonhole with the stitch ripper (n), being careful not to cut the stitches on either side.



Note:

- Slightly reduce upper thread tension (3) to produce better results.
- You should use stabilizer material such as yarn or fleece for fine, stretchy or knitted fabrics. The zigzag stitch should be sewn over the yarn (E).
- Please use needle 9-11(65-75) for the following fabric:
Lightweight fabrics: thin cottons, voile, serge, silk, muslin, interlocks, cotton knits, jerseys, crepes, woven polyester, shirt & blouse fabrics.

Overlock stitches



Stitch	Stitch width	stitch length
	3~5	S1, S2

Note:

Use new needles or ball point needles.

Seams, sewing and neatening visible hems.

Overlock stitch (A)

For fine knits, jerseys, neck edges, borders.

Standard overlock stitch (B)

For fine knits, jerseys, neck edges, borders.

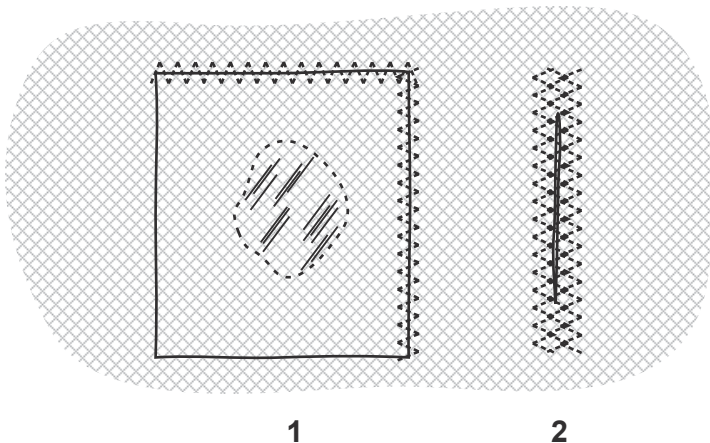
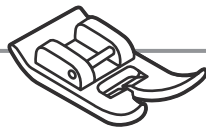
Double overlock stitch (C)

For fine knits, handknits, seams.

All overlock stitches are suitable for sewing and neatening edges and visible seams in one operation.

When neatening, the needle should just go over the edge of the fabric.

3-step zigzag



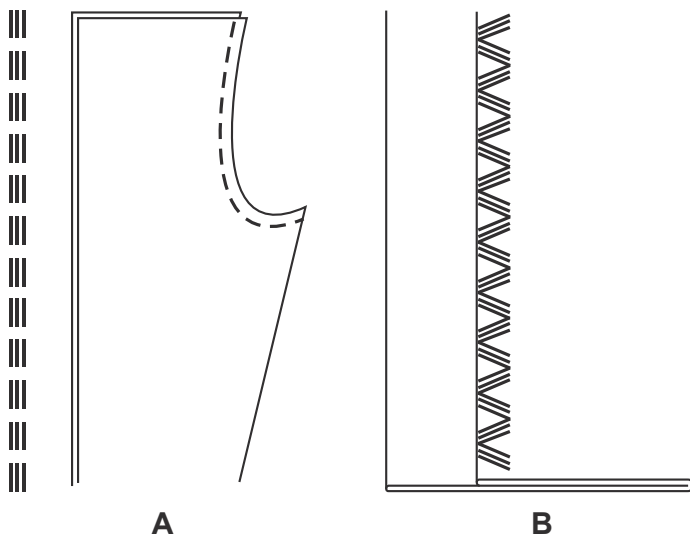
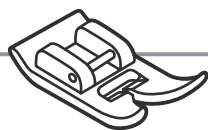
Stitch	Stitch width	stitch length
	3~5	1~2

Sewing on lace and elastic, darning, mending, reinforcing edges.

1. Place patch in position.
2. When mending tears, it is advisable to use a piece of backing fabric as reinforcement. First sew over the centre and then just overlap on both sides.

Depending on the type of fabric and damage, sew between 3 and 5 rows.

Stretch-stitch



Stitch	Stitch width	stitch length
	2.5	S1, S2

Triple straight stitch (A)

For hardwearing seams.

The machine sews two stitches forwards and one stitch backwards. This gives triple reinforcement.

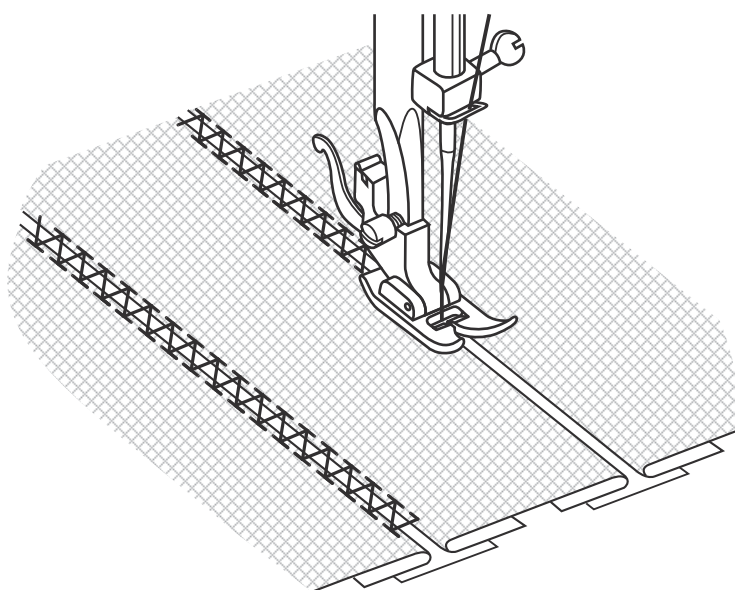
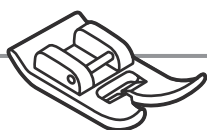
Stitch	Stitch width	stitch length
~	3~5	S1, S2

Triple zigzag (B)

For hardwearing seams, hems and decorative seams.

Triple zigzag is suitable for firm fabrics like denim, corduroy, etc.

Patch work



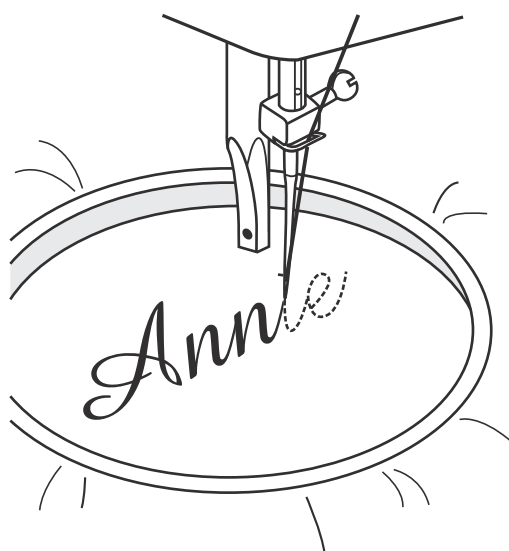
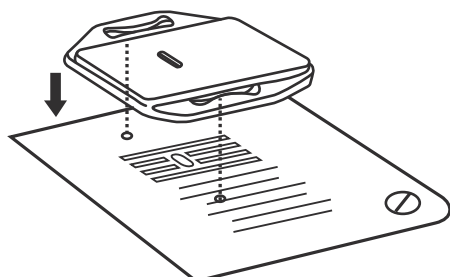
Stitch	Stitch width	stitch length
~	3~5	S1

To join two pieces of fabric while leaving a space between their edges.

1. Fold over the edges of the two pieces of fabric for the hem and tack the edges to a thin piece of paper leaving a small space between them.
2. Stitch along the edge, pulling both threads slightly when beginning to sew.
3. Use thicker than normal threads for sewing.
4. After sewing, remove the tacking and the paper. Finish by tying knots on the reverse side at the beginning and the end of the seams.

Monogramming and embroidering with embroidery hoop*

* The embroidery hoop is not supplied with the machine.



Stitch	Stitch width	stitch length
⌘	1~5	0

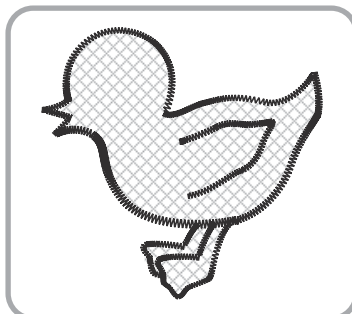
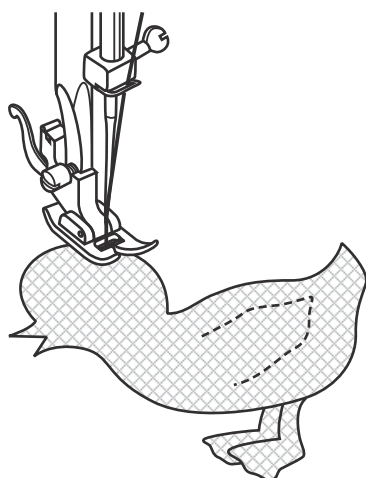
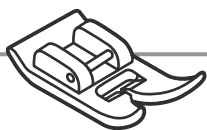
Attach the embroidery and darning plate

1. Remove the presser foot and the presser foot holder.
2. Attach the embroidery and darning plate (o).
3. Lower the two-step presser foot lifter (18) before starting to sew.
4. Adjust the stitch width according to the size of lettering or design.

Preparation for monogramming and embroidering*

1. Draw the desired lettering or design on the right side of the fabric with the use of a water-soluble fabric marker.
2. Stretch the fabric between the embroidery hoop as firmly as possible.
3. Place the fabric under the needle. Lower the two-step presser foot lifter (18).
4. Turn the hand wheel (21) towards you to bring up the lower thread through the fabric. Sew a few securing stitches at the starting point.
5. Hold the hoop with thumb and forefingers of both hands.
6. Coordinate the sewing speed and the movement of hoop.

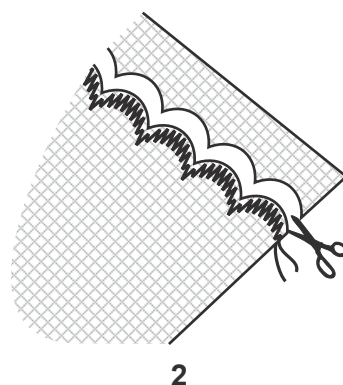
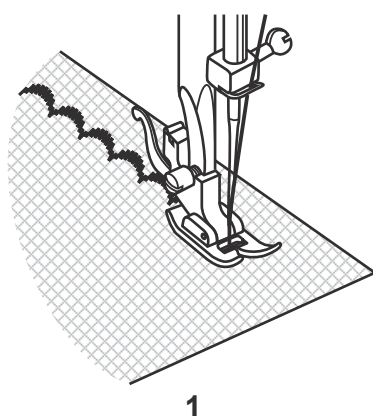
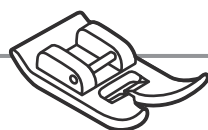
Applique



Stitch	Stitch width	stitch length
⋈	3~5	0.5~1

1. Cut out the applique design and tack it to the fabric.
2. Sew slowly around the edge of the design.
3. Trim excess material outside the stitching. Make sure not to cut any stitches.
4. Remove the tacking thread.
5. Tie top and bottom thread under the applique to avoid unravelling.

Scallop stitching

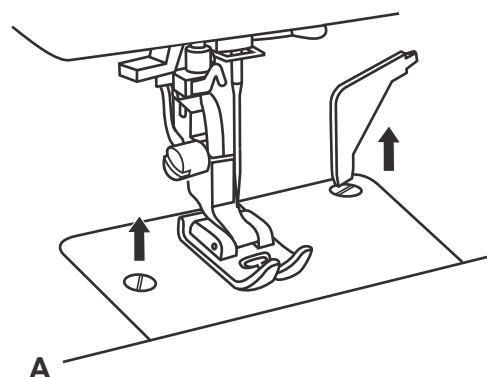


Stitch	Stitch width	stitch length
}	3~5	1~2

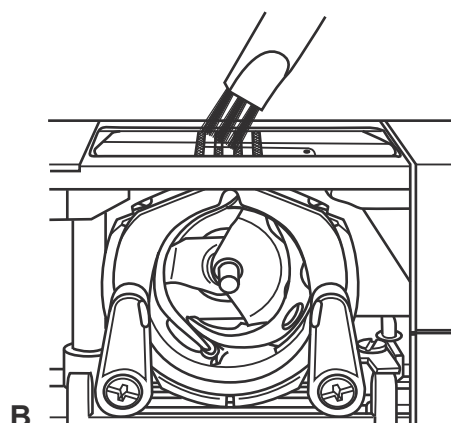
You can produce a decorative edge with the scallop stitch.

1. Sew the scallop stitch along the edge of the material.
2. If desired, trim around the scallop with scissors to create a scalloped edge. Be careful not to cut the thread.

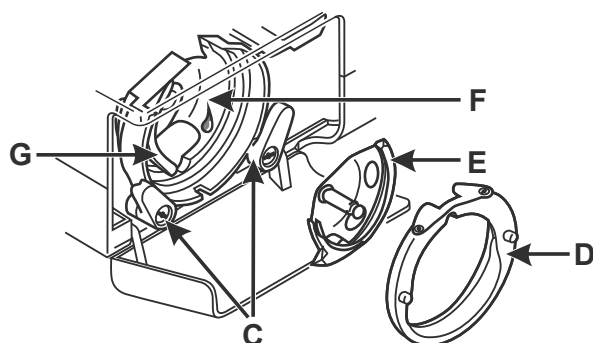
Maintenance



A



B



Important:

Disconnect the machine from the electricity supply by removing the plug from the mains socket. When cleaning the machine, it must always be disconnected from the electricity supply.

Removing the stitch plate (A)

Turn the hand wheel (21) until the needle is fully raised. Open the hinged front cover and remove the stitch plate (8) screws with the L-screwdriver (k).

Cleaning the feed dog (B)

Remove the bobbin case and use the brush (n) supplied to clean the whole area.

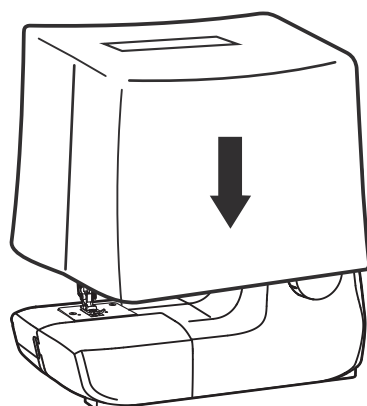
Cleaning and lubricating the catch (C-G)

Remove the bobbin case. Snap the two catch retaining arms (C) outwards. Remove the shuttle race cover (D) and the catch (E) and clean with a soft cloth. Lubricate at the points indicated (F) (1-2 drops) using sewing machine oil. Turn the handwheel (21) until the shuttle race (G) is in the left position. Replace the catch (E). Replace the shuttle race cover and snap back the two catch retaining arms. Insert the bobbin case and bobbin and replace the stitch plate.

Important:

Fabric fluff and threads must be removed regularly.

Storage

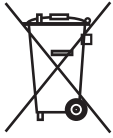


Always remove the power plug from the socket when not using the sewing machine. Use the dust cover (s) provided. Store the sewing machine in a dry location which children cannot access. If the sewing machine is not used for an extended period, it should be protected from excessive dust, dirt or moisture.

Trouble shooting guide

Problem	Cause	Correction
Upper thread breaks	<ol style="list-style-type: none"> 1.The machine is not threaded correctly. 2.The thread tension is too tight. 3.The thread is too thick for the needle. 4.The needle is not inserted correctly. 5.The thread has become wound around the bobbin winder spindle (14). 6.The needle is damaged. 	<ol style="list-style-type: none"> 1.Rethread the machine. 2.Reduce the thread tension (3). (lower number) 3.Use a larger needle. 4.Remove and reinsert the needle. (flat side towards the back) 5.Remove the bobbin (g) and unwind the thread. 6.Replace the needle.
Lower thread breaks	<ol style="list-style-type: none"> 1.The bobbin case is not inserted correctly. 2.The bobbin case is threaded wrongly. 	<ol style="list-style-type: none"> 1.Remove and reinsert the bobbin case and pull on the thread. The thread should pull easily. 2.Check both bobbin (g) and bobbin case.
Skipped stitches	<ol style="list-style-type: none"> 1.The needle is not inserted correctly. 2.The needle is damaged. 3.The wrong size needle has been used. 4.The wrong presser foot is installed. 	<ol style="list-style-type: none"> 1.Remove and reinsert needle. (flat side towards the back) 2.Replace the needle. 3.Choose a needle size to suit the thread and fabric. 4.Use the correct presser foot.
Needle breaks	<ol style="list-style-type: none"> 1.The needle is damaged. 2.The needle is not correctly inserted. 3.Fabric too thick/ needle size wrong. 4.The wrong presser foot is attached. 	<ol style="list-style-type: none"> 1.Replace the needle. 2.Insert the needle correctly (flat side towards the back) 3.Choose a needle size to suit the thread and fabric. 4.Use the correct presser foot.
Loose stitches	<ol style="list-style-type: none"> 1.The machine is not correctly threaded. 2.The bobbin case is not correctly threaded. 3.Needle/ fabric/ thread combination is wrong. 4.Thread tension wrong. 	<ol style="list-style-type: none"> 1.Thread the machine correctly. 2.Thread the bobbin case as illustrated. 3.The needle size must suit the fabric and thread. 4.Correct the thread tension.
Seams gather or pucker	<ol style="list-style-type: none"> 1.The needle is too thick for the fabric. 2.The stitch length is wrongly adjusted. 3.Fabric puckers. 	<ol style="list-style-type: none"> 1.Use a finer needle. 2.Check the thread tension. 3.Use a backing for fine or stretchy fabrics.
Uneven stitches, uneven feed	<ol style="list-style-type: none"> 1.The thread is too weak. 2.The bobbin case is wrongly threaded. 3.Fabric has been pulled when sewing. 	<ol style="list-style-type: none"> 1.Use stronger thread. 2.Rethread the bobbin case and insert correctly. 3.Do not pull on the fabric. It must be automatically moved by the machine.
The machine is noisy	<ol style="list-style-type: none"> 1.The machine must be lubricated. 2.Fluff or oil have collected on the hook or needle bar. 3.Poor quality oil has been used. 4.The needle is damaged. 	<ol style="list-style-type: none"> 1.Lubricate as described. 2.Clean the hook and feed dog as described. 3.Only use good quality sewing machine oil. 4.Replace the needle.
The machine jams	Thread is caught in the hook.	Remove the upper thread and bobbin case, turn the handwheel (21) backwards and forwards by hand and remove the thread remains. Lubricate as described.

Disposal



- Dispose of devices with dangerous defects immediately and ensure that they can no longer be used.
- Do not dispose of the sewing machine in normal domestic waste.
- This product is subject to UL 1594.
- Dispose of the sewing machine at a registered waste disposal firm or through your local authority waste disposal facility.
- Observe the regulations currently in force. In case of doubt, consult your waste disposal facility.
- Please dispose of all packaging materials in an environmentally friendly manner.

Keep the sewing machine's transport packaging. It may be useful for storing the machine, but is particularly useful if you want to send the sewing machine away for repair. Most instances of damage occur when the machines are being transported.

Guarantee

Dear customer,

You receive 3 years guarantee on this device from date of purchase. In case of defects in this product, you have legal rights versus the seller of the product. These legal rights are not restricted by our guarantee shown below.

Guarantee conditions

The guarantee period starts on the purchase date. Please retain your original receipt safely. This document is required as proof of purchase.

If a material or manufacturing error occurs in this product within three years from the purchase date, we will repair or replace it for you free of charge – at our choice. This guarantee performance presupposes that within the three-year period, the defective device and proof of purchase (till receipt) are submitted together with a short-written description, detailing the deficiency and when it has occurred.

If this defect is covered by our guarantee, you will receive the repaired or a new product in return. No new guarantee period starts following repair or replacement of the product.

Guarantee period and legal requirements for defects

The guarantee period is not extended by the guarantee. This also applies to replacement and repaired parts. Any damage and defects present during purchase must be reported immediately after unpacking. Repairs occurring after expiry of the guarantee period are chargeable.

Guarantee scope

The device was produced carefully in accordance with strict quality guideline and checked conscientiously before delivery.

The guarantee cover is valid for material or manufacturing errors. This guarantee does not extend to product parts which are subjected to normal wear and can therefore be regarded as wear parts or for damage to fragile parts, for example switches, batteries or which are made of glass.

This guarantee will be voided if the product is damaged, or incorrectly used or maintained. For proper use of this product all instructions listed in the instruction manual must be followed exactly. Uses and actions which are advised or warned against in the operating instruction must be avoided.

The product is only intended for private and not for commercial use. In case of abusive and improper treatment, use of force and in case of interventions which have not been performed by our authorised service branch, this guarantee is voided.

Handling of guarantee cases

To ensure rapid processing of your request, please follow the instructions below:

- Please be prepared to provide the till receipt and article number (e.g. IAN 12345) as proof of purchase if requested.

Disposal / Guarantee / Service / Manufacturer

- The article number can be found on the type plate, engraved, on the title sheet of your instruction (bottom left) or as a sticker on the rear or underside.
- If functional errors or other defects occur, first contact by phone or by email the service department shown below.
- Once confirmed defective, you can then send the product together with the proof of purchase (till receipt) and the details of the defect and when it occurred free of charge to the service address communicated to you.

On www.lidl-service.com you can download these and many other manuals, product videos and software.



Service number

These Operating Instructions cannot cover all possible applications.

For more information or in case of problems not covered or not covered in sufficient detail in these Operating Instructions, please contact the service number **00800 555 00 666 (free)**

Please keep these Operating Instructions in a safe place and pass on to any future users.

Service-Address:

**CROWN Service Center
teknihall Elektronik GmbH
Breitefeld 15
DE-64839 Münster
GERMANY**

sewingguide-service-gb@teknihall.com

IAN 359295

Manufacturer

Please be aware that the following address is not a service address. Please first contact the service office stated above.

Crown Technics GmbH
Turmstraße 4
D-78467 Konstanz
GERMANY

Einleitung

Einleitung	32
Bestimmungsgemäße Verwendung	32
Nähmaschinenkomponenten	32
Zubehör	32
Technische Daten	33

Wichtige Sicherheitshinweise

Wichtige Sicherheitshinweise	34
------------------------------------	----

Vorbereitung

Anschluss des Geräts an der Stromversorgung	35
Der Anschlagetisch	36
Einsetzen der Nadel	36
Zweistufen-Nähfußhebel	37
Montieren des Nähfußhalters	37
Unterfaden spulen	38
Spule einlegen	38
Oberfaden einfädeln	39
Automatischer Nadeleinfädler	40
Fadenspannung	41
Unterfaden heraufholen	41

Grundlagen des Nähens

Nähen / Nützliche Anwendungen	42
Gegenseitige Abstimmung von Nadel, Stoff und Faden	43
Stichwahl	44
Geradstich und Nadelposition	44
Zickzackstich	45
Reißverschlussfuß	45
Verdeckte Reißverschlüsse	46
Blindsaumstich	47
Knopfannähfuß	47
Knopflochfuß	48
Overlockstiche	49
Genähter Zickzack	49
Stretchstich	50
Patchwork	50
Stickereien mit Stickrahmen*	51
Applikationen	52
Festonabschluss	52

Wartung

Wartung der Nähmaschine	53
Aufbewahrung	53
Beheben von Störungen	54

Entsorgung / Garantie / Service / Hersteller

Entsorgung	55
Garantie	55
Servicenummer	56
Hersteller	56

Einleitung

Herzlichen Glückwunsch zum Kauf Ihrer Nähmaschine. Sie haben ein Qualitätsprodukt erworben, welches mit größter Sorgfalt hergestellt wurde.

Diese Bedienungsanleitung vermittelt Ihnen alles Wissenswerte über die Anwendungsmöglichkeiten Ihrer Nähmaschine. Sollten dennoch Fragen offen bleiben, bitten wir Sie, sich an Ihren Händler zu wenden. Wir wünschen Ihnen viel Freude und große Näherfolge.

Bevor Sie die Nähmaschine zum ersten Mal benutzen, ist es sehr wichtig, dass Sie sich eingehend mit den Funktionen der Nähmaschine vertraut machen und herausfinden, wie man die Nähmaschine richtig bedient. Bitte lesen Sie nachstehende Bedienungsanleitung sowie die Sicherheitshinweise. Bitte bewahren Sie diese Bedienungsanleitung gut auf. Wenn Sie die Nähmaschine an Dritte übergeben, vergessen Sie nicht, diese Bedienungsanleitung ebenso auszuhändigen.

Bestimmungsgemäße Verwendung

Die Nähmaschine ist **vorgesehen** ...

- zur Verwendung als ortsveränderliches Gerät.
- zum Nähen von haushaltsüblichen Textilien.
- nur zu Verwendung im privaten Hausgebrauch.

Die Nähmaschine ist **nicht vorgesehen** ...

- zur ortsfesten Aufstellung.
- zur Verarbeitung von anderen Materialien (z. B. Leder, Zeltplane, Segeltuch und ähnliche schwere Stoffe).
- für eine Verwendung in gewerblichen oder industriellen Bereichen.

Nähmaschinenkomponenten

- | | |
|---------------------------------|----------------------------------------|
| 1 Fadenhebel | 12 Hebel zum Rückwärtsnähen |
| 2 Fadenführung zum Spulen | 13 Begrenzung für Spuleinrichtung |
| 3 Oberfadenspannung | 14 Spuleinrichtung |
| 4 Stichbreitenknopf | 15 Garnrollenstift |
| 5 Stichlängenknopf | 16 Oberfadenführung |
| 6 Stichwahlknopf | 17 Tragegriff |
| 7 Anschlagbetisch | 18 Zweistufen-Nähfußhebel |
| 8 Stichplatte | 19 Netzanschluss |
| 9 Nähfüße | 20 Hauptschalter |
| 10 Automatischer Nadeleinfädler | 21 Handrad |
| 11 Fadenabschneider | 22 Öffnung für zweiten Garnrollenstift |

Zubehör

- | | |
|------------------------------------------------------------------------------------------------------|-----------------------------------------|
| a Allzweck-Nähfuß (bereits auf Nähmaschine montiert) | k L-Schraubendreher |
| b Verdeckter-Reißverschluss-Fuß | l Schraubenzieher |
| c Reißverschlussfuß | m Garnrolle (1x blau, 1x pink, 1x gelb) |
| d Knopfannähfuß | n Nahttrenner / Pinsel |
| e Knopflochfuß | o Stick- und Stopfplatte |
| f Fadeneinfädler | p Kanten-/ Quiltführung |
| g Spule (4x)(1x bereits auf Nähmaschine montiert) | q Zweiter Garnrollenstift |
| h Filzkissen | r Garnrollenkappe (groß und klein) |
| i Ölflasche | s Staubschutzhülle |
| j Nadelbox: 3x einzelne Nadeln (90/Nr. 14)
(1 bereits installiert), 1x einzelne Nadel (75/Nr. 11) | t Fußanlasser / Netzstecker |

Technische Daten

Nennspannung		230 Volt/ 50 Hz
Nennleistung	- Total	70 Watt
Abmessungen	- Tragegriff eingeklappt	ca. 388x275x169 mm (BxHxT)
Kabellänge	- Netzkabel	ca. 1,8 m
	- Anschlusskabel des Fußanlassers	ca. 1,4 m
Gewicht	- Nähmaschine	ca. 5,6 kg
Material		Aluminium / Kunststoff
Bedienungselemente	- Hauptschalter	vorhanden
	- Fußanlasser für Nähgeschwindigkeit	vorhanden
Anzeigeelemente	- Nählicht	vorhanden
Greifersystem		CB-Greifer
Nadelsystem		130/705H
Funkentstört		nach EU-Richtlinie
TÜV SÜD-geprüft		Ja
Produkte-Garantie		3 Jahre
Schutzklasse		II <input type="checkbox"/>

Wichtige Sicherheitshinweise

Beachten Sie immer die grundlegenden Sicherheitshinweise, bevor Sie ein elektrisches Gerät benutzen. Lesen Sie alle Bedienungsanleitungen, bevor Sie die Nähmaschine benutzen.

Gefahr - wie das Risiko eines Stromschlages reduziert wird:

1. Lassen Sie die Nähmaschine nie unbeaufsichtigt eingeschaltet.
2. Bitte ziehen Sie den Netzstecker immer sofort nach der Benutzung aus der Steckdose. Dies gilt auch vor dem Reinigen und anderen Wartungsvorgängen.

Achtung - wie das Risiko eines Brandes, eines Feuers oder einer Verletzung verringert wird:

1. Lesen Sie alle Anweisungen, bevor Sie die Nähmaschine benutzen.
2. Bewahren Sie die Gebrauchsanweisung an einem geeigneten Ort in der Nähe des Gerätes auf. Händigen Sie die Gebrauchsanleitung bei der Weitergabe des Gerätes an Dritte ebenfalls mit aus.
3. Verwenden Sie die Maschine immer nur in trockenen Räumen.
4. Dieses Gerät kann von Kindern ab 8 Jahren und darüber sowie von Personen mit verringerten physischen, sensorischen oder mentalen Fähigkeiten oder Mangel an Erfahrung und Wissen benutzt werden, wenn sie beaufsichtigt oder bezüglich des sicheren Gebrauchs des Gerätes unterwiesen wurden und die daraus resultierenden Gefahren verstehen.
5. Kinder dürfen nicht mit dem Gerät spielen.
6. Reinigung und Benutzer-Wartung dürfen nicht von Kindern ohne Beaufsichtigung durchgeführt werden.
7. Schalten Sie die Maschine immer aus, wenn Sie Einstellungen oder Arbeiten im Bereich der Nadel durchführen, wie Nadel einfädeln oder wechseln, Spule einfädeln oder wechseln, Nähfuß wechseln und so weiter.
8. Ziehen Sie immer den Stecker aus der Steckdose, wenn Sie die Maschine unbeaufsichtigt lassen, um Verletzungen durch versehentliches Einschalten zu vermeiden.
9. Ziehen Sie immer den Stecker aus der Steckdose, wenn Sie Wartungsarbeiten wie Ölen oder Reinigen und dergleichen durchführen.
10. Benutzen Sie die Maschine nicht in feuchtem Zustand oder feuchter Umgebung.
11. Ziehen Sie den Netzstecker nicht am Kabel aus der Steckdose. Greifen Sie beim Herausziehen den Stecker und nicht das Kabel.
12. Wenn die LED-Beleuchtung beschädigt oder defekt ist, muss sie durch den Hersteller oder seinen Kundendienst ersetzt werden, um Gefährdungen zu vermeiden.
13. Stellen Sie niemals etwas auf das Fußpedal.
14. Betreiben Sie die Maschine niemals mit blockierten Belüftungsöffnungen. Halten Sie die Belüftungsöffnungen der Maschine sowie des Fußpedals frei von Fusseln, Staub und Stoffabfällen.
15. Die Maschine darf nur mit einem bestimmten Fußpedal verwendet werden, um Gefährdungen zu vermeiden. Wenn das Fußpedal beschädigt oder defekt ist, muss es durch den Hersteller, seinen Kundendienst oder einer gleichermaßen qualifizierten Person ersetzt werden.
16. Der Schalldruckpegel unter normalen Bedingungen ist kleiner als 75dB(A).
17. Entsorgen Sie elektrische Geräte nicht im Hausmüll, nutzen Sie die Sammelstellen der Gemeinde.
18. Fragen Sie Ihre Gemeindeverwaltung nach den Standorten der Sammelstellen.
19. Wenn elektrische Geräte unkontrolliert entsorgt werden, können während der Verwitterung gefährliche Stoffe ins Grundwasser und damit in die Nahrungskette gelangen oder die Flora und Fauna auf Jahre vergiftet werden.
20. Wenn Sie das Gerät durch ein neues ersetzen, ist der Verkäufer gesetzlich verpflichtet, das alte mindestens kostenlos zur Entsorgung entgegenzunehmen.

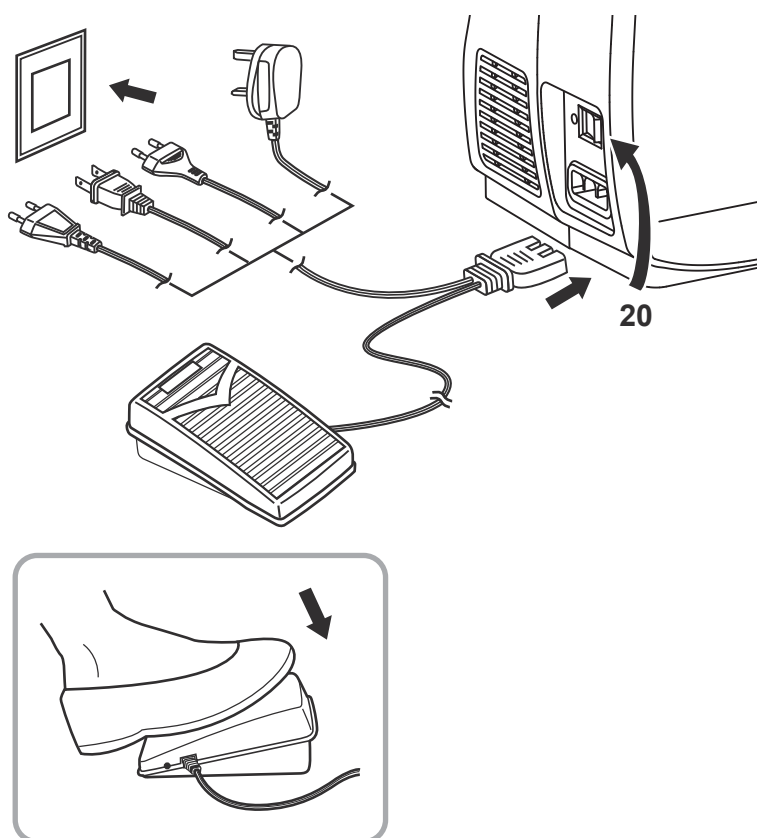
Verwahren Sie diese Bedienungsanleitung

Diese Nähmaschine ist nur für den Haushalt gedacht.

Verwenden Sie die Nähmaschine nur im Temperaturbereich von 5°C bis 40°C.

Wenn die Temperatur zu niedrig ist, kann die Maschine nicht ordnungsgemäß funktionieren.

Anschluss des Geräts an die Stromversorgung



Achtung:

Ziehen Sie den Netzstecker aus der Steckdose, wenn Sie die Nähmaschine nicht benutzen.

Achtung:

Bitte treten Sie bei irgendwelchen Zweifeln hinsichtlich des Anschlusses der Nähmaschine an der Stromversorgung mit einem qualifizierten Elektrodienst in Verbindung.

Wenn Sie die Stromversorgung nicht benutzen, ziehen Sie den Netzstecker aus der Steckdose.

Die Nähmaschine muss mit dem passenden ELECTRONIC Fußanlasser (t) FC-2902D (220-240-V-Netz), 4C-326G (230-V-Netz), 4C-336G (220-240-V-Netz) verwendet werden.

Den Netzanschluss (19) gemäß nebenstehender Zeichnung durchführen.

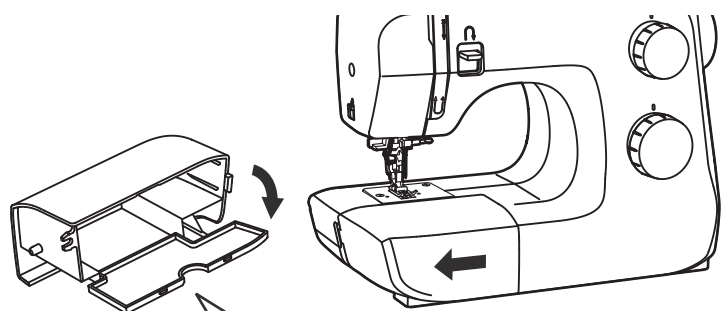
Beleuchtung

Durch Drücken des Hauptschalters (20) in Position "I" wird die Nähmaschine in Betrieb genommen und die Beleuchtung eingeschaltet.

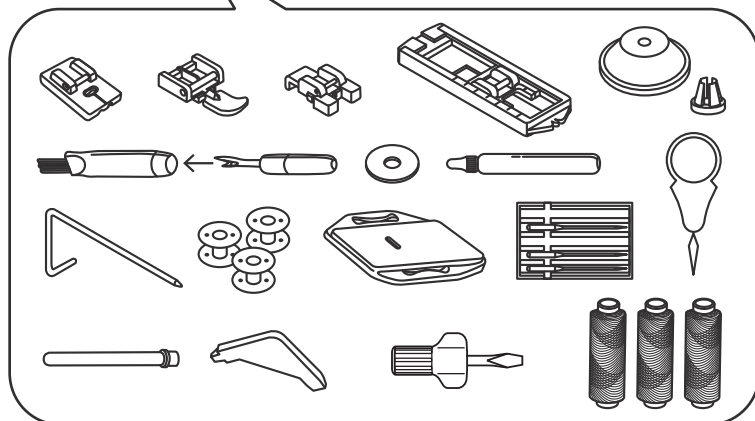
Fußanlasser

Mit dem Fußanlasser (t) wird die Betriebsgeschwindigkeit der Nähmaschine geregelt.

Der Anschlagbetisch



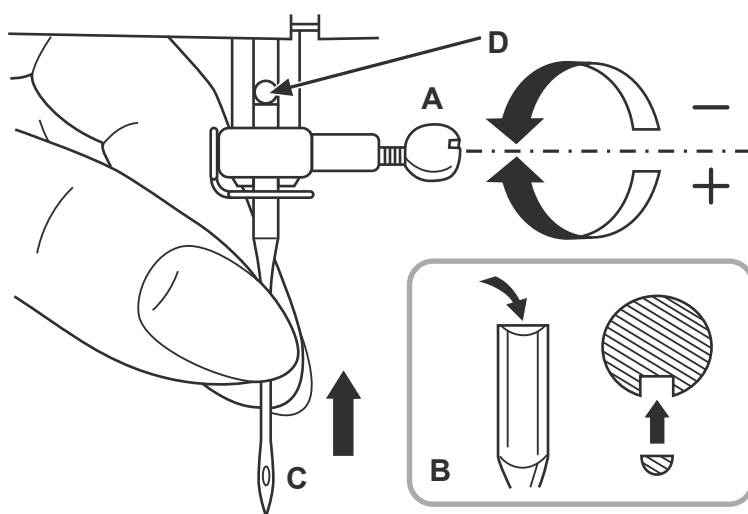
Wenn auf dem Freiarm genäht werden soll, den Anschlagbetisch (7) in Pfeilrichtung abziehen.



Das Innere des Anschlagbetisches (7) ist für Zubehör vorgesehen.

Im herausnehmbaren Anschlagbetisch finden Sie das beigegefügte Zubehör.

Einsetzen der Nadel



Achtung:
Hauptschalter (20) auf "O" stellen!

Ersetzen Sie die Nadel regelmäßig, vor allem bei ersten Anzeichen von Nähsschwierigkeiten.

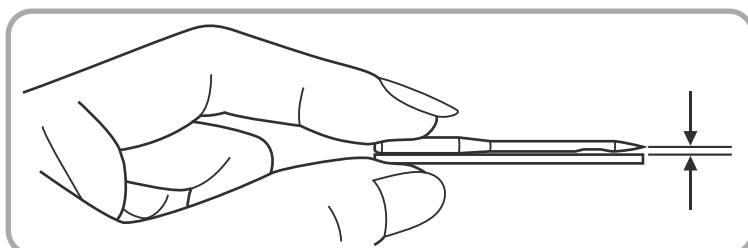
Setzen Sie die Nadel wie abgebildet ein.
A. Nadelbefestigungsschraube lösen und nach dem Einsetzen der Nadel wieder festschrauben.

B. Die flache Kolbenseite der Nadel nach hinten richten. Einsetzen der Nadel bis zum Anschlag am Ende des Schaftes.

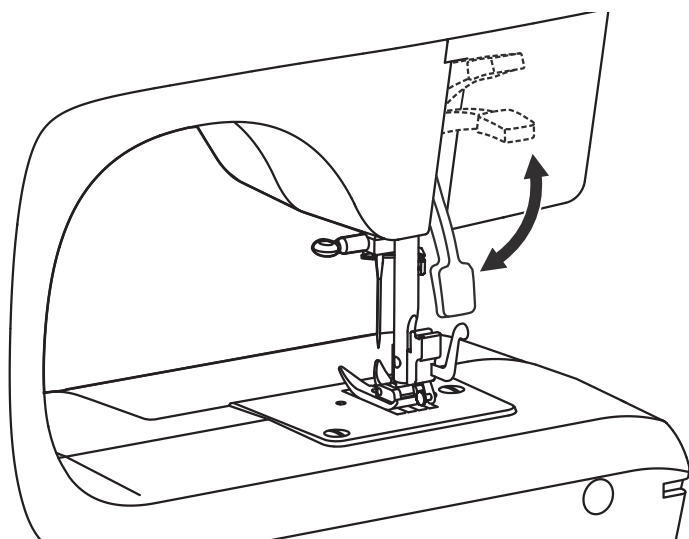
C/D. Nadel so tief wie möglich einsetzen.

Nur einwandfreie Nadeln benutzen. Probleme können auftreten bei der Verwendung von:

- Krümmen Nadeln
- Stumpfen Nadeln
- Beschädigten Spitzen

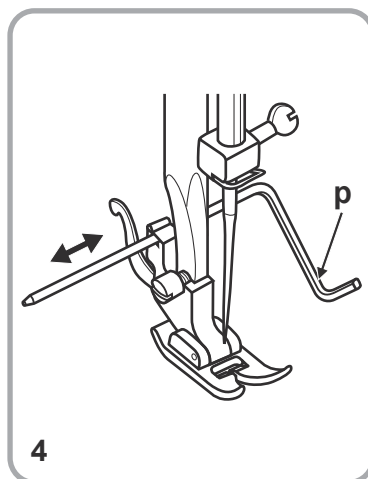
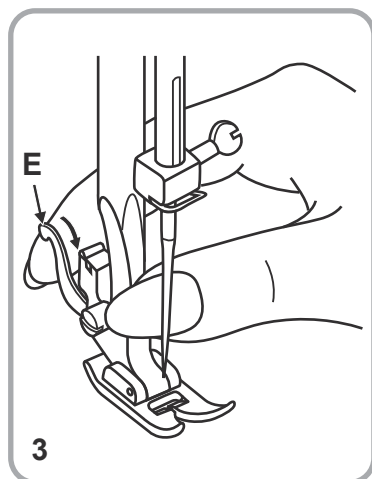
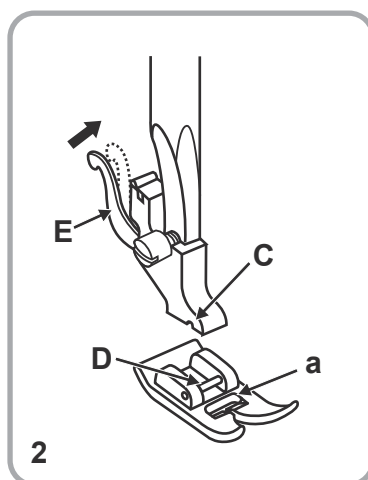
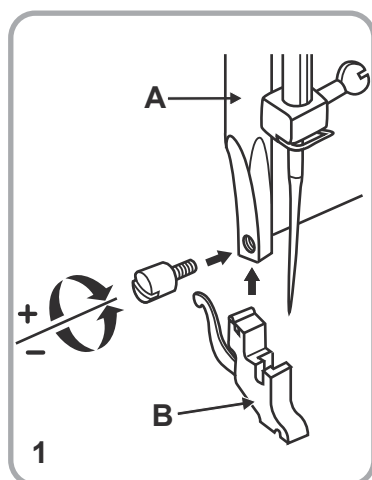


Zweistufen-Nähfußhebel



Beim Nähen von extrem dicken Stoffen kann der Stoffdurchgang unter dem Nähfuß (9) vergrößert werden, indem man den Zweistufen-Nähfußhebel (18) weiter anhebt (Pfeil).

Montieren des Nähfußhalters



Achtung:

Bei allen Anwendungen Hauptschalter (20) auf ("O") stellen!

1. Nähfußhalter montieren

Nähfuß-Stange (A) durch Anheben des Zweistufen-Nähfußhebels (18) hochstellen. Nähfußhalter (B) wie abgebildet montieren.

2. Nähfuß einsetzen

Nähfuß-Stange (A) wieder senken, bis (C) direkt oberhalb des Stifts (D) ist. Nähfuß-Stange (A) ganz senken, Nähfuß (a) rastet ein.

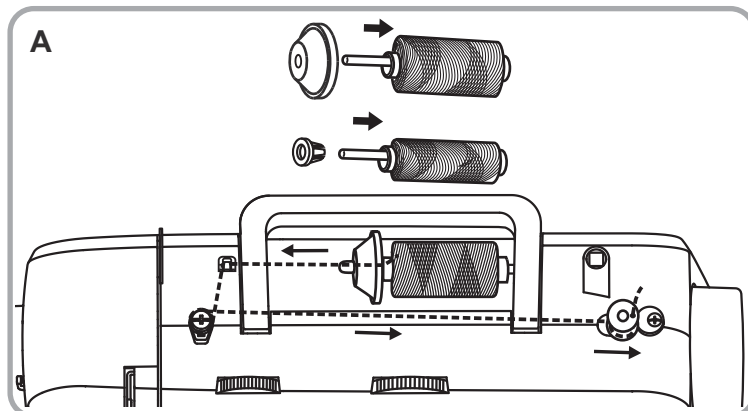
3. Nähfuß abnehmen

Nähfuß hochstellen.
Hebel (E) leicht nach vorne drücken und der Nähfuß ist frei.

4. Einsetzen der Kanten-/ Quiltführung (p)

Wie die Abbildung zeigt, Kanten-/ Quiltführung (p) sorgfältig einschieben, z. B. für Säume, Falten usw.

Unterfaden spulen

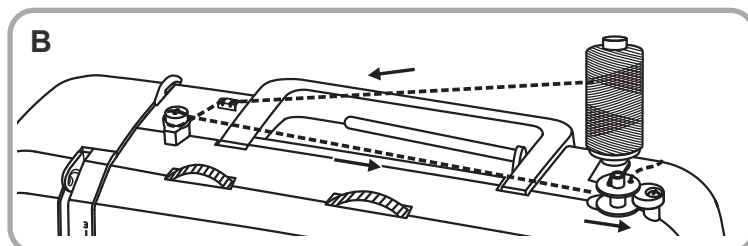


A. Garnrolle (m) auf den Garnrollenstift (15) setzen und mit einer Garnrollenkappe (r) befestigen.

- Garnrollenkappe klein für schmale Garnrollen
- Garnrollenkappe groß für breite Garnrollen

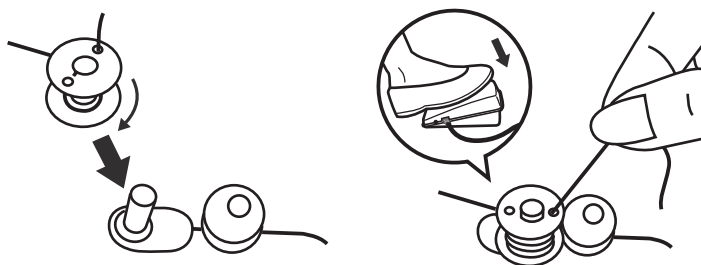
B. Alternativ stecken Sie den zweiten Garnrollenstift (q) in die Öffnung für den zweiten Garnrollenstift (22).

Faden von der Garnrolle (m) durch die Fadenführung zum Spulen (2) ziehen.



Faden von innen durch ein Loch der leeren Spule (g) nach außen ziehen. Spule (g) auf die Spuleinrichtung (14) stecken und dann nach rechts in die Spulposition drücken.

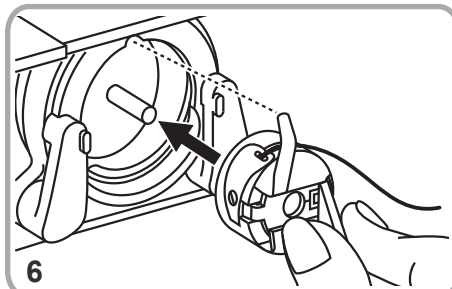
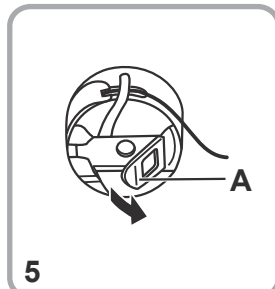
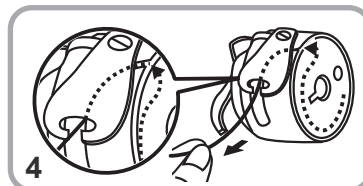
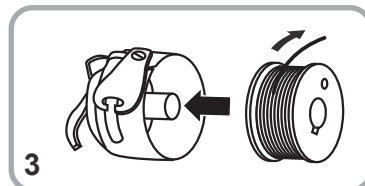
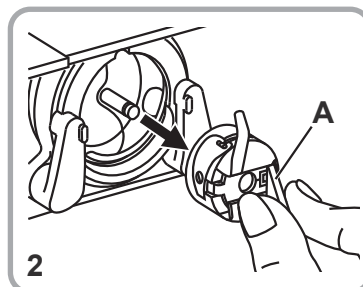
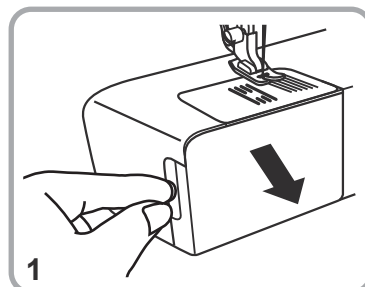
Fadenende festhalten. Fußanlasser (t) betätigen. Nach ein paar Umdrehungen Fußanlasser (t) loslassen. Faden loslassen und möglichst nahe an der Spule (g) abschneiden. Fußanlasser (t) wieder betätigen. Sobald die Spule (g) voll ist, dreht sie sich langsamer. Fußanlasser (t) loslassen. Spule (g) in die Nähposition zurückdrücken und entfernen.



Hinweis:

Wenn sich die Spuleinrichtung (14) in der Spulposition befindet, wird der Nähvorgang automatisch unterbrochen. Zum Nähen die Spuleinrichtung (14) nach links drücken (Nähposition).

Spule einlegen



Achtung:

Hauptschalter (20) auf "O" stellen!

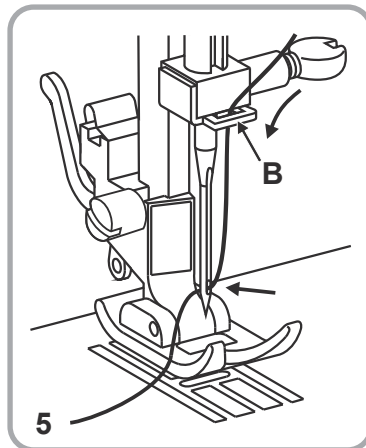
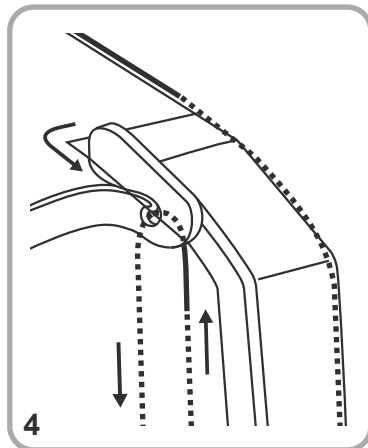
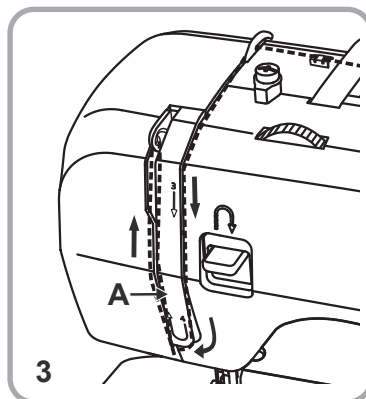
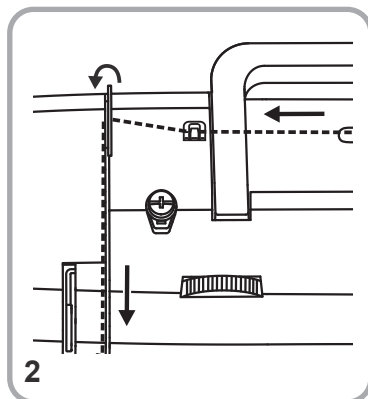
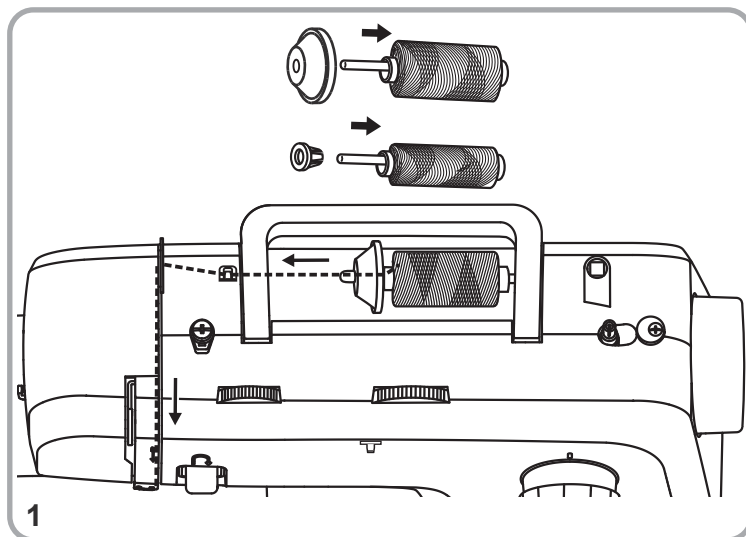
Beim Einsetzen und Herausnehmen der Spule (g) muss die Nadel immer in höchster Position sein.

1. Entfernen Sie den Anschlagbetisch und öffnen Sie den Klappdeckel.
2. Ziehen Sie am Spulenkapselfriegel (A) und entnehmen Sie die Spulenkapselfriegel. Spulenkapselfriegel mit einer Hand halten.
3. Spule (g) so einlegen, dass der Faden im Uhrzeigersinn aufgespult ist (Pfeil).
4. Faden in den Schlitz und unter die Feder ziehen.
5. Spulenkapselfriegel mit Zeigefinger und Daumen am Spulenkapselfriegel (A) halten.
6. Spulenkapselfriegel in die Greiferbahn einsetzen.

Hinweis:

Das Herausnehmen des Unterfadens ist auf Seite 41 beschrieben.

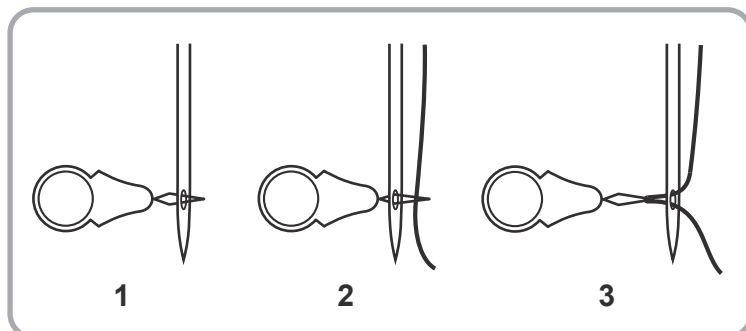
Oberfaden einfädeln



Achtung:

Hauptschalter (20) auf ("O") stellen!
Nähfuß-Stange durch Anheben des Zweistufen-Nähfußhebels (18) hochstellen, Fadenhebel (1) durch Drehen des Handrads (21) im Gegenuhrzeigersinn in höchste Position bringen. Beim Einfädeln den Pfeilen und Zahlen auf der Nähmaschine folgen.

1. Garnrolle (m) auf den Garnrollenstift (15) setzen und mit einer Garnrollenkappe (r) befestigen.
 - Garnrollenkappe klein für schmale Garnrollen
 - Garnrollenkappe groß für breite Garnrollen
2. Den Oberfaden durch die Oberfadenführung (16) und anschließend nach vorne in den rechten Schlitz und nach unten führen.
3. Nach links unter der Führungsnase (A) durch und dann wieder nach oben führen.
4. Faden von rechts nach links durch den Fadenhebel (1) und nach unten führen.
5. Faden zuerst hinter die große, metallene Fadenführung (B) und nachher durch die Nadelöse führen. Nadel stets von vorne einfädeln.

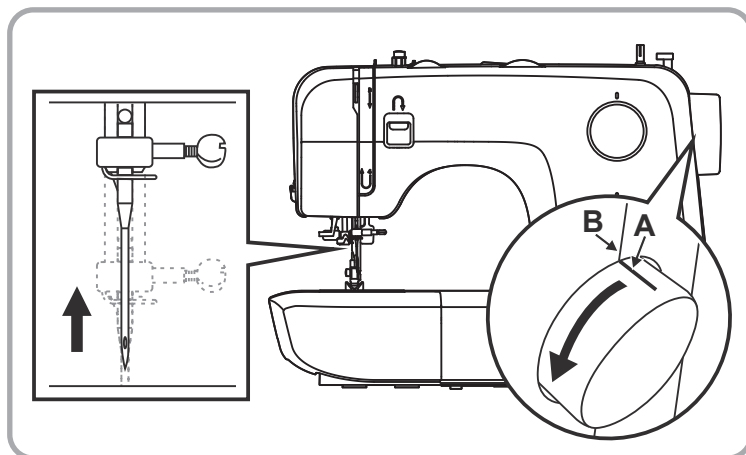


Fadeneinfädler

Als Einfädelhilfe können Sie den Fadeneinfädler (f) verwenden.

1. Fadeneinfädler (f) von hinten nach vorne durch die Nadelöse stecken.
2. Den Oberfaden durch die Drahtschleife des Fadeneinfädlers führen.
3. Den Fadeneinfädler (f) mit dem Faden durch die Nadelöse zurückziehen.

Automatischer Nadeleinfädler

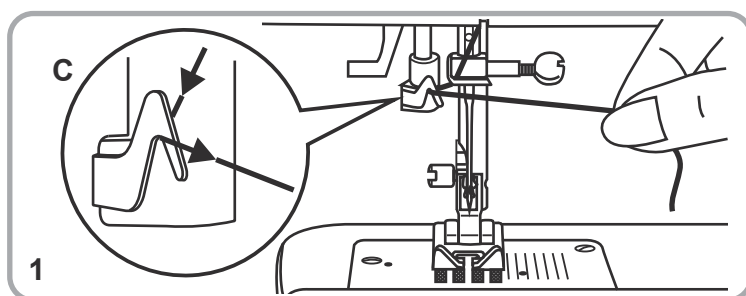


Achtung:

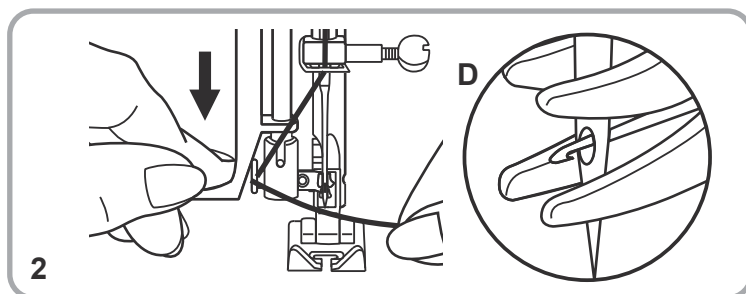
Stellen Sie den Ein-/Ausshalter vor dem Einfädeln der Nadel auf "O".

Achtung:

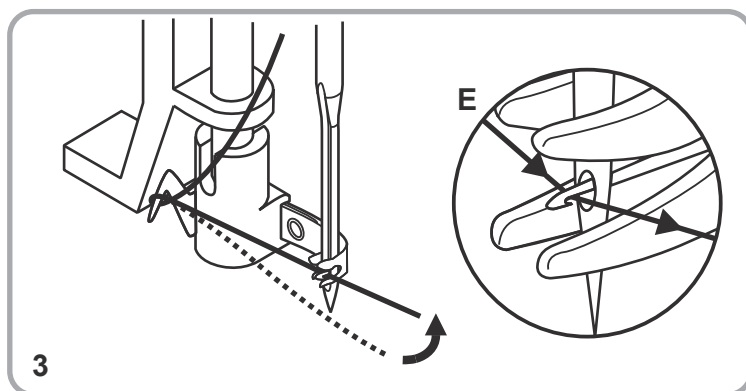
- a. Drehen Sie das Handrad (21) zu sich, bis die Markierung (A) auf die Linie (B) am Gerät zeigt.
- b. Die Nadel befindet sich nun in ihrer höchsten Position.



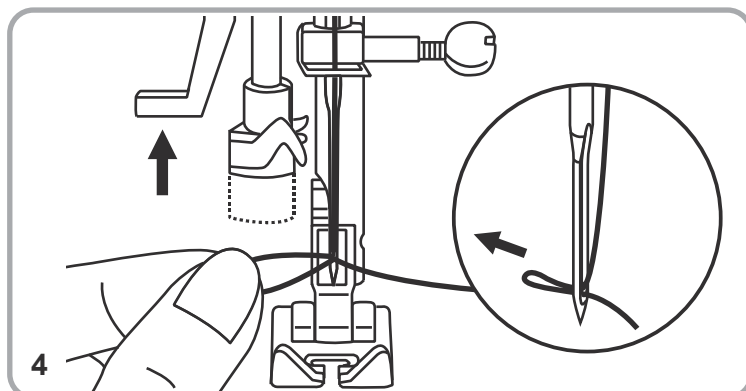
1. Senken Sie den Nähfuß (9) ab. Führen Sie den Faden entlang der Fadenführung (C).



2. Drücken Sie den Hebel so weit wie möglich nach unten. Der Nadeleinfädler dreht sich automatisch in die Einfädelposition, das winzige Häkchen schiebt sich dabei durch das Nadelöhr (D).

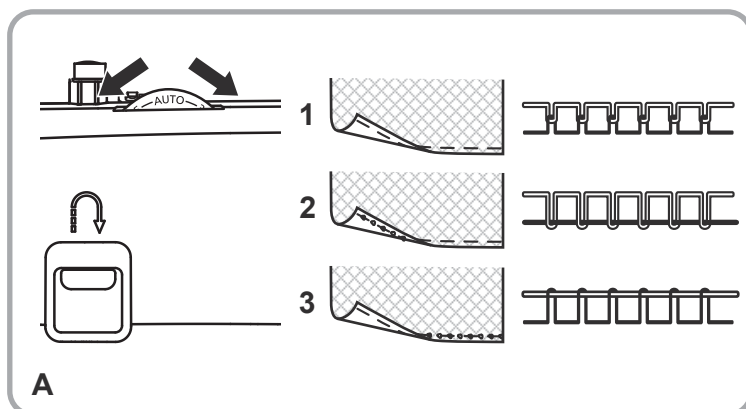


3. Führen Sie den Faden vor die Nadel, so dass er sich unterhalb des Häkchens (E) befindet. Halten Sie den Faden dann leicht nach oben, so dass er am Greiferhaken einhängt.



4. Halten Sie den Faden locker, lassen Sie dann langsam den Hebel los. Der Haken dreht sich, schiebt den Faden durch das Nadelöhr, wodurch sich eine Schlaufe bildet. Ziehen Sie den Faden ganz durch das Nadelöhr nach hinten.

Fadenspannung



A. Oberfadenspannung

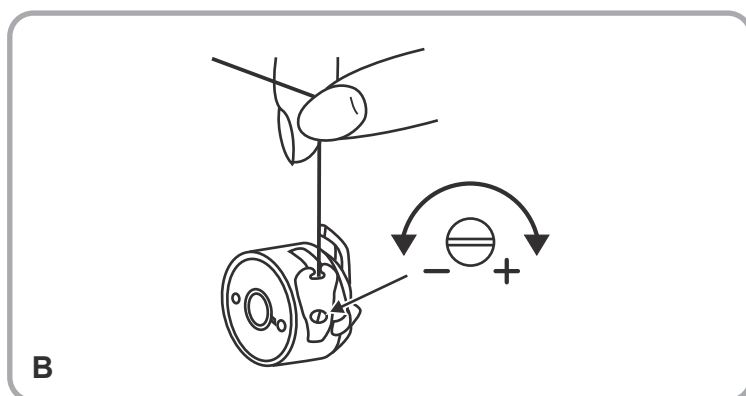
Grundeinstellung der Oberfadenspannung: "AUTO"

Für eine stärkere Oberfadenspannung Skala auf die nächstgrößere Zahl drehen. Für eine leichtere Fadenspannung muss die nächst kleinere Zahl eingestellt werden.

1. Oberfadenspannung normal
2. Oberfadenspannung zu schwach
3. Oberfadenspannung zu stark

Hinweis:

Die Oberfadenspannung muss beim Nähen mit feinen Stoffen wie Seide, Jersey usw. auf 2-3 eingestellt werden.



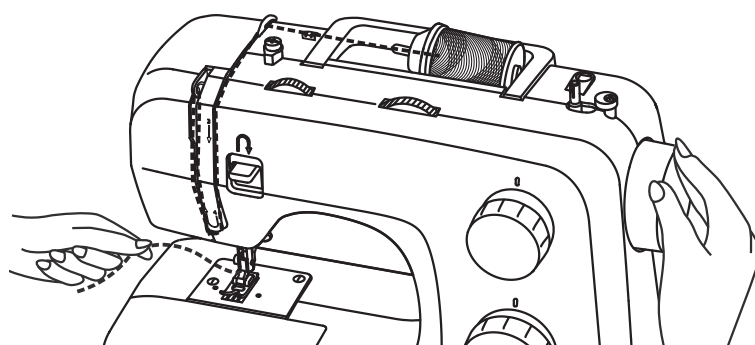
B. Unterfadenspannung

Hinweis:

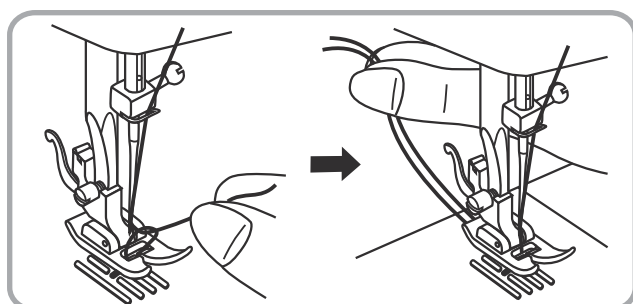
Die Unterfadenspannung wurde während der Produktion korrekt eingestellt, sodass keine Veränderung notwendig ist.

Um die Unterfadenspannung zu kontrollieren, wird die volle Spule (g) in die Spulenkapsel gesteckt. Dann lässt man die Spulenkapsel samt Greifer am Fadenende hängen. Die Unterfadenspannung ist dann richtig, wenn sich die volle Spulenkapsel bei leichtem Schwingen ca. 5 bis 10 cm nach unten abrollt und dann ruhig hängen bleibt. Wenn sich die volle Spulenkapsel zu leicht abrollt, ist die Unterfadenspannung zu leicht; rollt sie sich nur schwer oder gar nicht ab, ist die Unterfadenspannung zu stark. Sie kann mit dem Schraubenzieher (l) entsprechend angepasst werden.

Unterfaden heraufholen

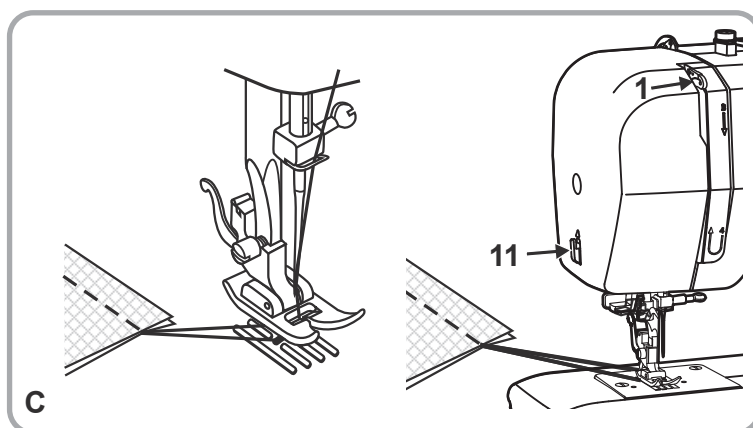
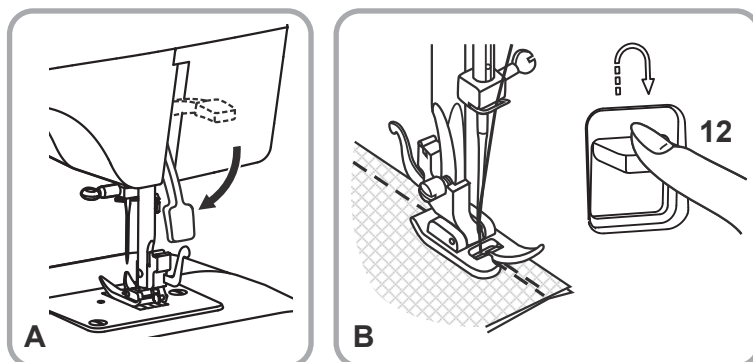


Ende des Oberfadens mit der Hand halten. Das Handrad (21) gegen den Uhrzeigersinn drehen, bis die Nadel wieder oben steht (eine volle Umdrehung).



Am Oberfaden ziehen, damit der Unterfaden aus dem Stichloch gezogen wird. Beide Fäden unter dem Nähfuß (9) nach hinten legen.

Nähen / Nützliche Anwendungen



A. Nähen

Sobald die Nähmaschine korrekt eingefädelt und eingerichtet ist, senken Sie den Nähfuß (9) vor Nähbeginn durch Senken des Zweistufen-Nähfußhebels (18). Dann betätigen Sie den Fußanlasser (t), um mit dem Nähen zu beginnen.

B. Vernähen

Am Ende der Naht angelangt auf den Hebel zum Rückwärtsnähen (12) drücken. Einige Stiche rückwärts nähen. Den Hebel loslassen, worauf die Nähmaschine wieder nach vorn zu nähen beginnt.

Das Rückwärtsnähen wird zum Sichern der Fäden am Anfang und am Ende der Naht benötigt bzw. immer dann, wenn die Naht verstärkt werden soll.

C. Freisetzen des Nähguts

Das Handrad (21) im Gegenuhrzeigersinn drehen, um den Fadenhebel (1) in die höchste Position zu bringen. Den Nähfuß (9) hochfahren und das Nähgut nach hinten ziehen, um es freizusetzen.

C. Durchtrennen des Fadens

Die Fäden mit beiden Händen hinter dem Nähfuß ergreifen, in den Fadenabschneider (11) einführen und die Hände nach unten bewegen.

Gegenseitige Abstimmung von Nadel, Stoff und Faden

TABELLE ZUR WAHL VON NADEL, STOFF und FADEN

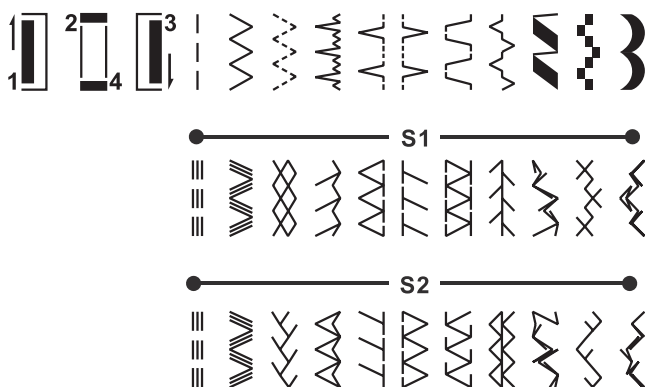
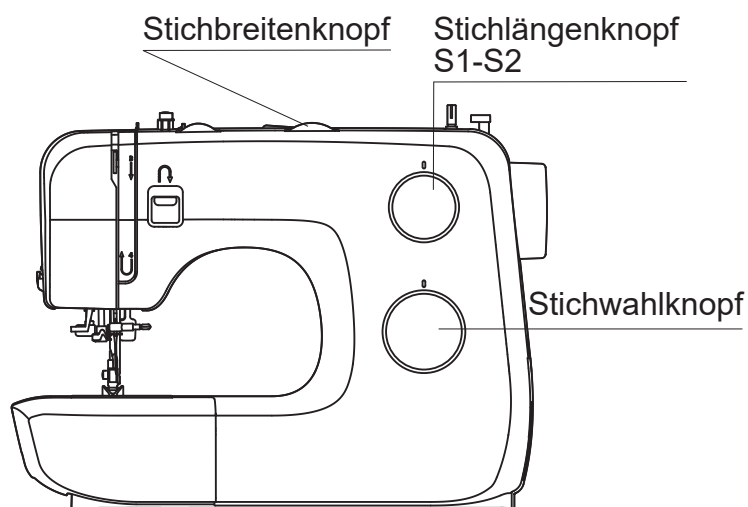
NADELGRÖSSE	STOFF	FADEN
9-11 (65-75)	Leichte Stoffe: dünne Baumwolle, Schleier, Serge, Seide, Musselin, Interlockware, Baumwolltrikot, Jersey, Krepp, Polyestergewebe, Hemdstoffe	Leichte Baumwoll-, Nylon- oder Polyesterfäden.
12 (80)	Mittlere Stoffe: Baumwolle, Satin, grobes Musselin, Segeltuch, Doppelmaschentrikot, leichte Kammgarne	Die meisten handelsüblichen Fäden sind von mittlerer Dicke und sind für diese Stoffe und Nadelgrößen geeignet. Um optimale Ergebnisse zu erhalten sind Polyesterfäden für Kunstfaserstoffe und Baumwollfäden für natürliche Gewebe zu verwenden. Immer für Ober- und Unterfaden die gleiche Fadensorte verwenden.
14 (90)	Mittlere Stoffe: schweres Tuch, Kammgarne, schweres Trikot, Frotteestoff, Denim	
16 (100)	Schwere Stoffe: Drillich, Kammgarne, Zeltstoffe und wattierte Stoffe, Denim, leichte und mittlere Polsterstoffe	

Wichtig: Nadelgröße, Schwere des Stoffs und Dicke des Fadens müssen aufeinander abgestimmt werden.

Bitte beachten:

- Im Allgemeinen werden zum Nähen leichter Stoffe dünnes Garn und dünne Nadeln genutzt, dickeres Garn zum Nähen schwerer Stoffe.
- Prüfen Sie Garn- und Nadelgröße vor dem eigentlichen Nähen immer zuvor mit einem kleinen Stückchen Stoff.
- Benutzen Sie dasselbe Garn für Nadel und Spule (g).
- Nutzen Sie Trägermaterial für feine oder dehnbare Stoffe, wählen Sie den richtigen Nähfuß.
- Die Oberfadenspannung muss beim Nähen mit feinen Stoffen wie Seide, Jersey u.s.w. auf 2-3 eingestellt werden.
- Fixieren Sie zwei oder mehr Lagen Stoff mit Hilfe von Stecknadeln, bevor Sie mit dem Nähen beginnen.

Stichwahl



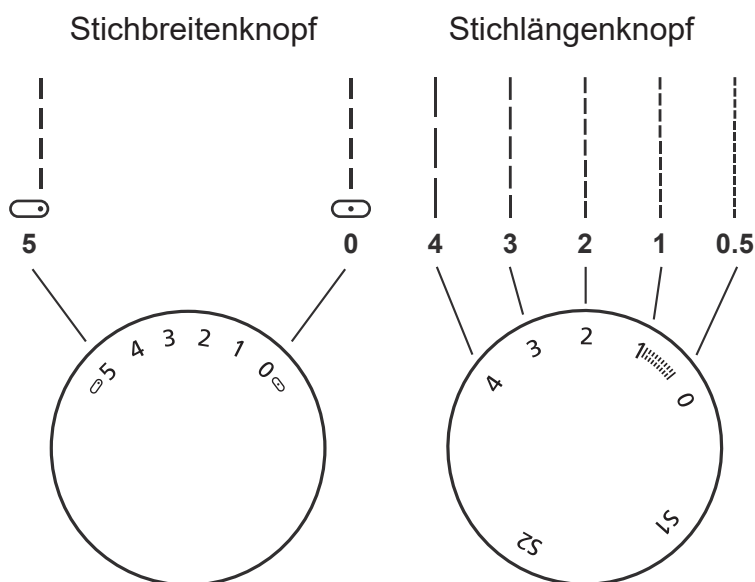
Für den **Geradstich** den Stichwahlknopf (6) drehen, bis der gewünschte Geradstich mit der Markierung übereinstimmt.

Für den **Zickzackstich** den Stichwahlknopf (6) drehen, bis der gewünschte Zickzackstich mit der Markierung übereinstimmt. Die Stichlänge und die Stichbreite je nach dem verwendeten Stoff einstellen.

Für die anderen **Stiche in der ersten Reihe** den Stichwahlknopf (6) drehen, bis der gewünschte Stich mit der Markierung übereinstimmt. Die Stichlänge und Stichbreite je nach Bedarf einstellen. Um ein optimales Ergebnis für die Zierstiche der ersten Reihe zu erzielen, soll die Stichlänge zwischen "0.3" und max. "0.5" eingestellt werden.

Für die **Stiche in der zweiten Reihe** den Stichlängenknopf (5) auf "S1" drehen, für die **Stiche in der dritten Reihe** den Stichlängenknopf (5) auf "S2" drehen und den Stichwahlknopf (6) drehen, bis der gewünschte Stich mit der Markierung übereinstimmt. Die Stichbreite je nach Bedarf einstellen.

Geradstich und Nadelposition



Drehen Sie den Stichwahlknopf (6) auf Geradstich.

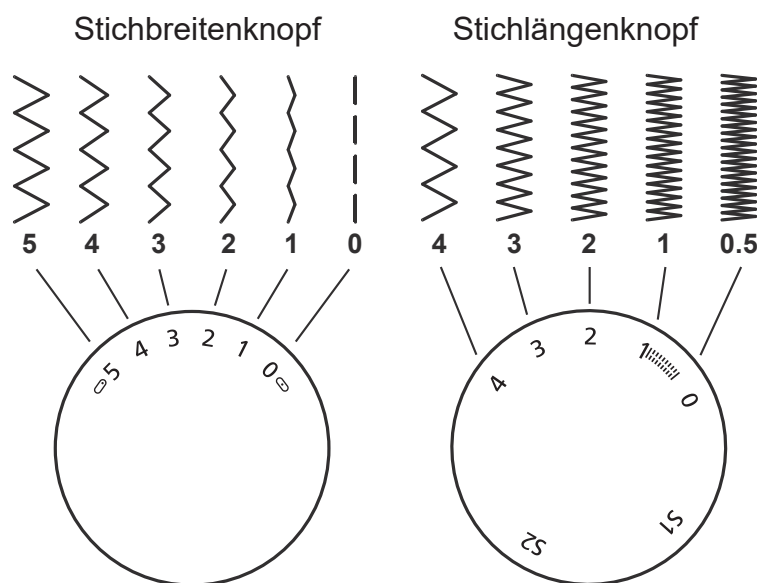
Generell sagt man, je dicker der Stoff, der Faden und die Nadel, desto länger sollte der Stich sein.

Wählen Sie die Nadelposition von mittig bis rechts durch Verstellen des Stichbreitenknopfs von "0" bis "5".

"0" ist die Einstellung für Nadelposition ganz mittig.

"5" ist die Einstellung für die Nadelposition ganz rechts.

Zickzackstich



Drehen Sie den Stichwahlknopf (6) auf Zickzackstich.

Funktion des Stichbreitenknopfs (4)

Die maximale Stichbreite beim Zickzackstich ist "5". Die Stichbreite kann bei jeder Stichart reduziert werden. Die Stichbreite nimmt zu, wenn Sie den Stichbreitenknopf von "0" bis "5" drehen.

Funktion des Stichlängenknopfs (5) beim Zickzackstich

Die Dichte des Zickzackstichs steigt, je mehr man sich "0" nähert. Für einen ordentlichen Zickzackstich verwendet man normalerweise die Stichbreite "2.5" oder kleiner.

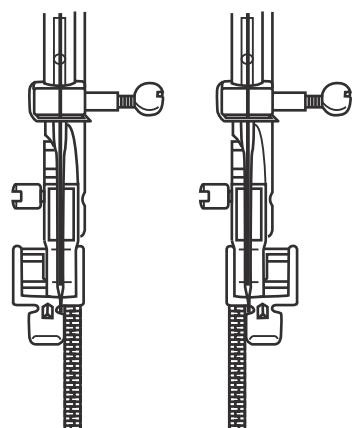
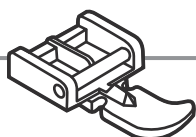
Raupennahtstich

Wenn die Stichlänge zwischen "0" und "1" eingestellt ist, sind die Stiche sehr nahe beieinander und es entsteht der Raupennahtstich. Diesen Stich verwendet man für Knopflöcher und als dekorative Stiche.

Feingewebe

Wenn Sie auf sehr feinem Gewebe nähen, müssen Sie ein geeignetes Nähvlies unter den Stoff legen.

Reißverschlussfuß



A

B

Stich	Stichbreite	Stichlänge
---	2.5	1~4

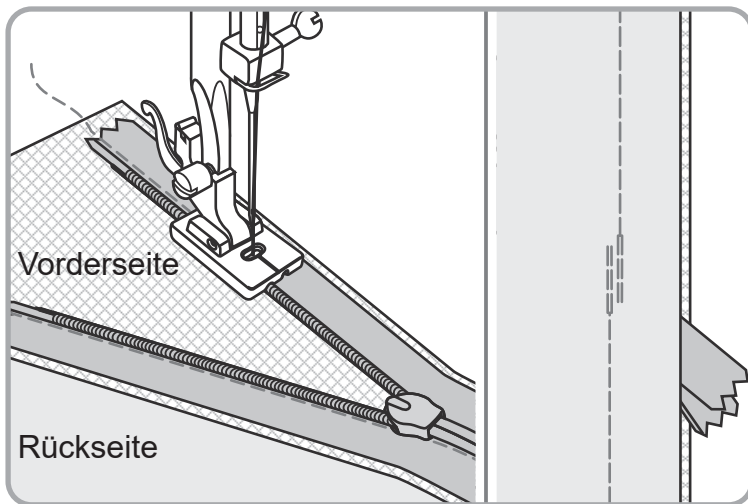
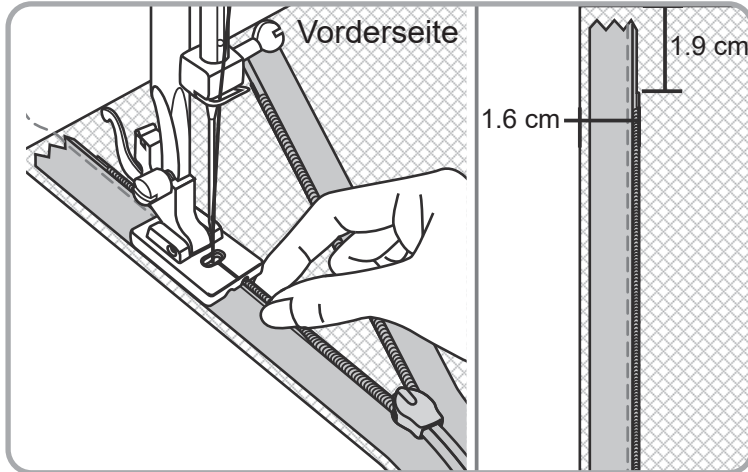
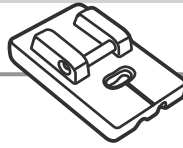
Der Reißverschlussfuß (c) kann rechts oder links eingesetzt werden, je nachdem auf welcher Seite des Nähfußes genäht wird. (A)

Um dem Reißverschluss-Schieber auszuweichen, Nadel im Stoff stecken lassen, Nähfuß anheben und Schieber hinter den Nähfuß rücken.

Es ist auch möglich, eine Kordel einzunähen. (B)

Den Stichlängenknopf (5) je nach Stoffdicke zwischen "1" und "4" einstellen.

Verdeckte Reißverschlüsse



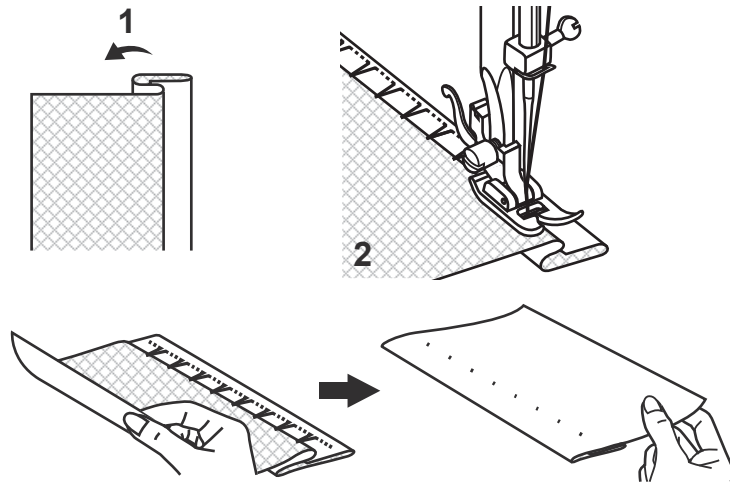
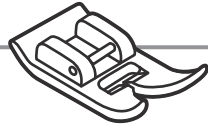
Der Fuß für verdeckte Reißverschlüsse sorgt für einen unsichtbaren Verschluss bei Röcken, Kleidern sowie vielen weiteren Kleidungsstücken und Accessoires.

Bringen Sie den Fuß für verdeckte Reißverschlüsse an der Maschine an, achten Sie darauf, dass sich die Nadel in einer Linie mit der Mittelmarkierung befindet. Legen Sie den geöffneten Reißverschluss mit der Vorderseite nach unten wie abgebildet auf die Außenseite des Stoffes. Stecken Sie den Reißverschluss so mit Nadeln fest, dass die Spirale auf der Nahtlinie (1.6 cm), der obere Anschlag 1.9 cm unter der Schnittkante des Stoffes liegt. Nähen Sie den Reißverschluss mit der rechten Vertiefung des Fußes über der Spirale an, bis der Fuß den Schieber berührt (ziehen Sie die Nadeln dabei schrittweise heraus). An der Rückseite mit einem Heftstich fixieren.

Zum Befestigen der anderen Reißverschlusshälfte legen Sie die Hälfte mit der Vorderseite nach unten wie zuvor an: So, dass die Spirale auf der Nahtlinie (1.6 cm), der obere Anschlag 1.9 cm unter der Schnittkante des Stoffes liegt. Anschließend mit Nadeln feststecken. Achten Sie darauf, dass der Reißverschluss am unteren Ende nicht verdreht ist. Nutzen Sie die linke Vertiefung des Fußes, achten Sie darauf, dass die Mittelmarkierung wie zuvor in einer Linie mit Nadel und Stich verläuft.

Schließen Sie den Reißverschluss. Schieben Sie den Reißverschlussfuß (c) nach links, so, dass sich die Nadel in der äußeren Kerbe befindet. Stecken Sie die Naht unter der Reißverschlussöffnung zusammen. Klappen Sie ein Ende des Reißverschlusses zur Seite, senken Sie die Nadel von Hand etwas oberhalb und etwas links vom letzten Stich ab. Vernähen Sie den Saum wie abgebildet etwa 5 cm weit. Ziehen Sie das Garn bis zu einer Seite hindurch, fixieren Sie das Garn. Bringen Sie den normalen Nähfuß an, vervollständigen Sie die Naht. Vernähen Sie am Ende des Reißverschlusses etwa 2.5 cm des Reißverschlussbandes als Nahtzugabe.

Blindsaumstich



Stich	Stichbreite	Stichlänge
	3~5	1~2

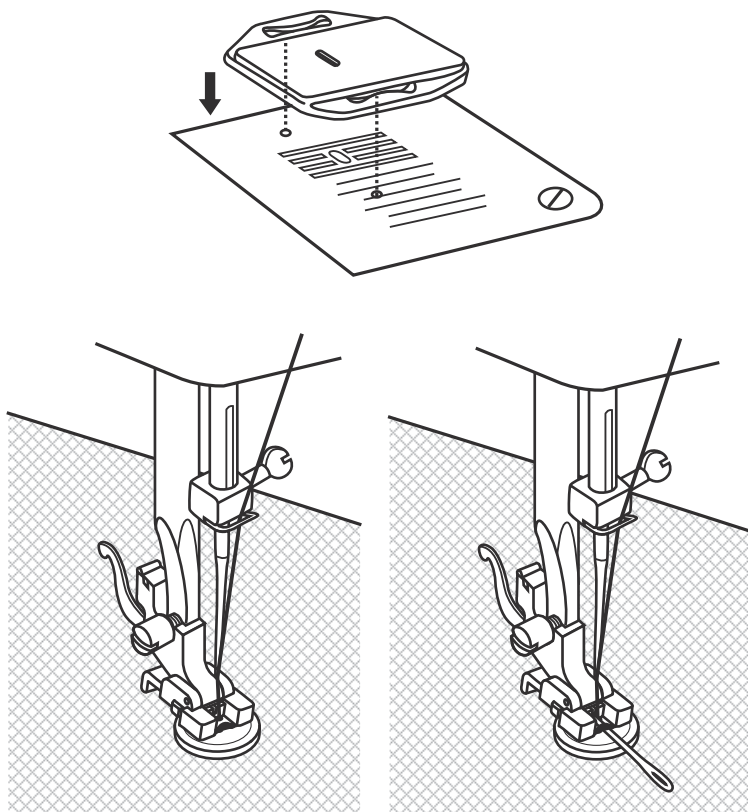
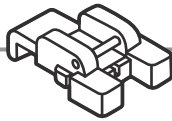
Für Säume, Vorhänge, Hosen, Rock usw.

... Blindsaumstich für elastisches Gewebe

1. Den Stoff wie abgebildet umlegen, mit der linken Seite nach oben.
2. Den umgelegten Stoff unter den Allzweck-Nähfuß (a) legen. Das Handrad (21) von Hand nach vorne drehen, bis sich die Nadel ganz links befindet. Sie sollte die Stofffalte nur wenig anstechen. Ansonsten muss die Stichbreite korrigiert werden.

Langsam nähen und den Stoff sorgfältig führen, damit sich seine Lage am Führunglineal nicht verändert.

Knopfannähfuß



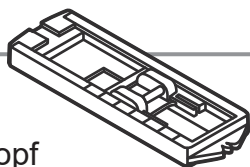
Stich	Stichbreite	Stichlänge
	0~5	0

Stick- und Stopfplatte (o) einsetzen

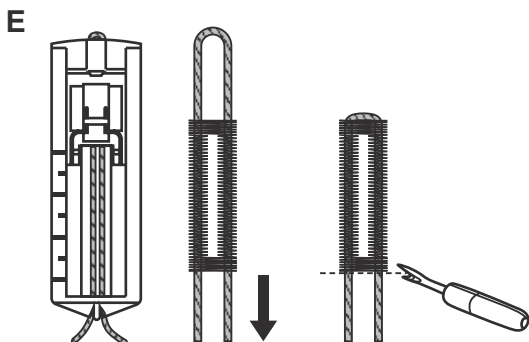
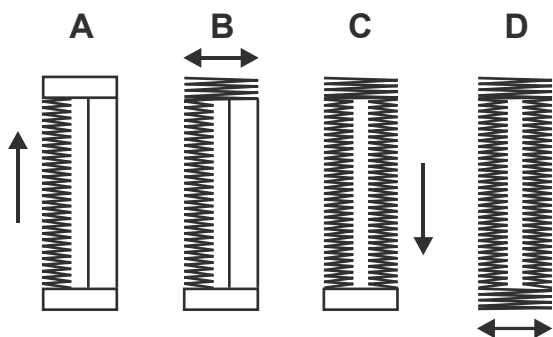
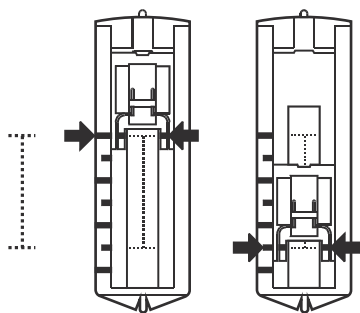
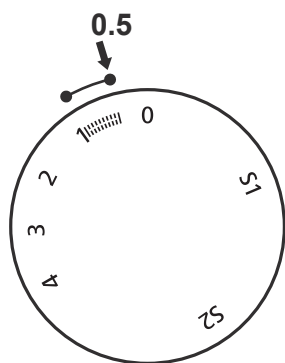
Arbeitsstück unter den Nähfuß schieben. Knopf auf die bezeichnete Stelle legen, Nähfuß senken, Stichbreite auf "0" lassen und erst ein paar Vernähstiche im linken Loch nähen, Stichbreite einstellen (meistens zwischen 3-4). Mit dem Handrad (21) Kontrollstich machen, bis die Nadel genau in das rechte Loch des Knopfes einsticht (je nach Knopf Stichbreite variieren). Knopf annähen. Stichbreite auf "0" stellen und einige Vernähstiche nähen.

Ist ein Hals erwünscht, wird eine Stopfnadel auf den Knopf gelegt und übernäht. Bei den Knöpfen mit 4 Löchern mit den beiden vorderen beginnen, dann Nähgut nach vorne schieben und gleich vorgehen wie beschrieben.

Knopflochfuß



Stichlängenkopf



Stich	Stichbreite	Stichlänge
	5	0.5~1

Vorbereitungen:

Den Nähfuß entfernen und den Knopflochfuß (e) montieren. Die Stichlängen-Einstellung zwischen "0,5" und "1" einstellen. Die Stichdichte hängt von der Stoffdicke ab.

Hinweis: Immer ein Test-Knopfloch anfertigen

Vorbereitung des Stoffs:

Den Knopfdurchmesser messen und dem festgestellten Maß 0,3 cm für die Verstärkungen zufügen. Bei sehr dicken Knöpfen zum gemessenen Knopfdurchmesser mehr hinzuaddieren. Position und Länge des Knopflochs auf dem Stoff markieren. Die Nadel in die höchste Position bringen.

Den Stoff so positionieren, dass die Nadel über der hinteren Markierung steht.

Den Knopflochfuß (e) so weit wie möglich nach vorne schieben. Den Nähfuß senken.

A. Den Stichwahlknopf (6) auf "1" drehen. Mit mäßiger Geschwindigkeit bis zur Endmarkierung nähen. Die Nadel in die höchste Position bringen.

B. Den Stichwahlknopf (6) auf "4" stellen und 5 bis 6 Verstärkungsstiche nähen. Die Nadel in die höchste Position bringen.

C. Den Stichwahlknopf (6) auf "3" drehen und den rechten Teil des Knopflochs bis zum entfernten Ende nähen. Die Nadel in die höchste Position bringen.

D. Den Stichwahlknopf (6) auf "4" drehen und einige Verstärkungsstiche nähen. Die Nadel in die höchste Position bringen.

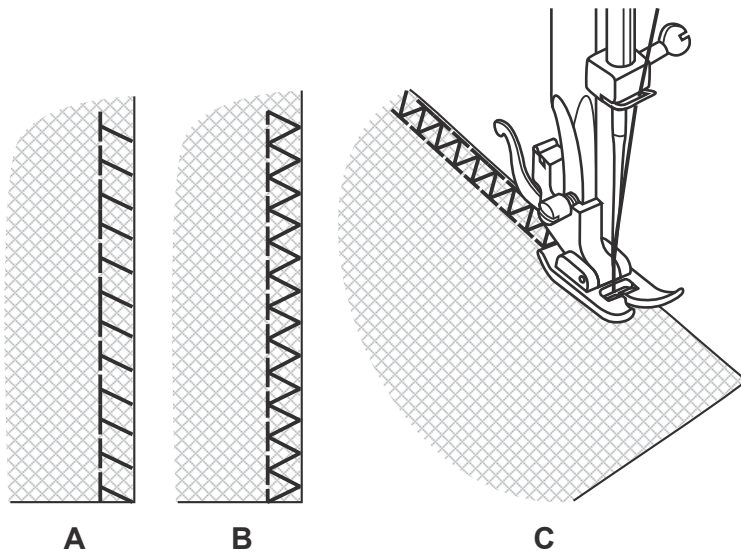
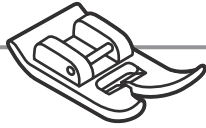
Den Nähfuß hochstellen. Den Stoff unter dem Nähfuß vorziehen und die Fäden abtrennen. Den Oberfaden auf die Rückseite durch den Stoff ziehen und Oberfaden und Unterfaden verknoten. Die Knopflochöffnung mit dem Nahttrenner (n) aufschneiden. Dabei darauf achten, nicht auf einer Seite in die Stiche zu schneiden.

Hinweis:

- Vermindern Sie die Oberfadenspannung (3) etwas.
- Setzen Sie Trägermaterial wie Vlies bei sehr feinem, dehnbarem oder gestricktem Gewebe ein. Der Zickzackstich muss über das Garn (E) genäht werden.
- Bitte nutzen Sie Nadeln vom Typ 9-11 (65-75) für folgende Stoffe:

Leichte Stoffe: Dünne Baumwolle, Voilee, Serge, Seide, Musselin, Interlocks, Baumwollstrickwaren, Strickstoffe, Krepp, gewebte Polyesterstoffe, Hemd- und Blusenstoffe.

Overlockstiche



Stich	Stichbreite	Stichlänge
	3~5	S1, S2

Hinweis:
Neue Nadel oder Kugelspitznadel verwenden!

Nähte, Nähen und Versäubern von Kanten, Sichtsaum

Overlockstich (A)

Für elastisches Material, Jersey, Halsausschnitte, Kanten

Standard-Overlockstich (B)

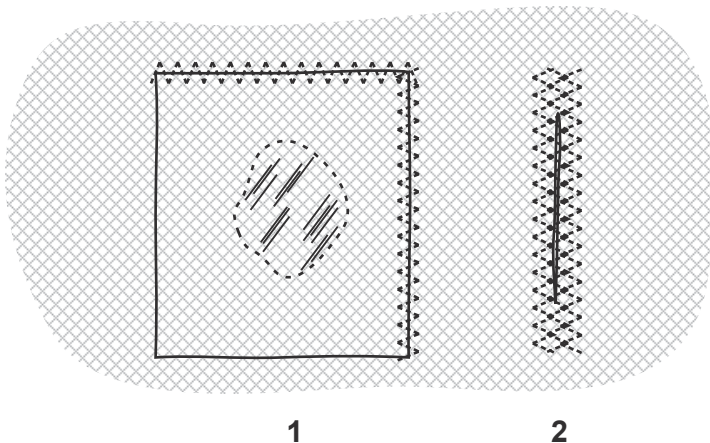
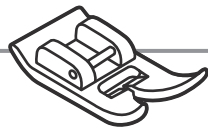
Für elastisches Material, Jersey, Halsausschnitte, Kanten

Doppel-Overlockstich (C)

Für feinere Strickstoffe, handgestrickte Teile, Nähte

Alle Overlockstiche eignen sich zum Nähen und Versäubern von Kanten und Sichtsäumen in einem Arbeitsgang. Beim Versäubern sollte die Stoffkante von der Nadel knapp übernäht werden.

Genähter Zickzack

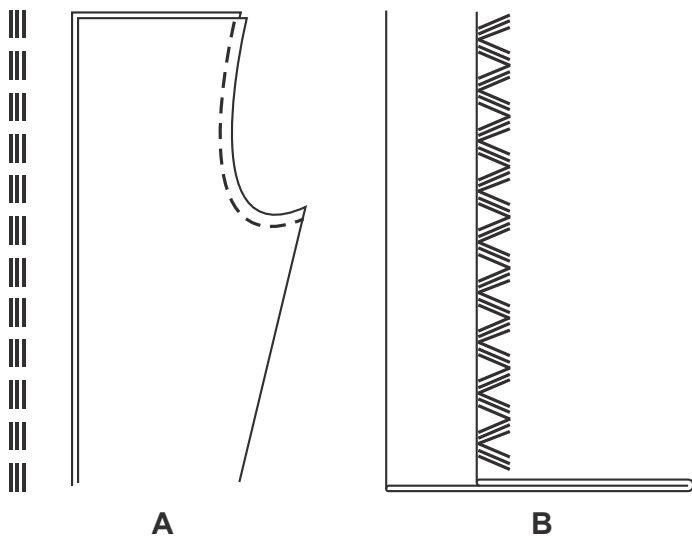
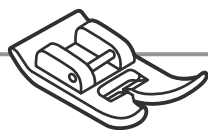


Stich	Stichbreite	Stichlänge
	3~5	1~2

Elastisches Nähen und Spitzen aufsetzen, Ausbessern, Risse flicken, Kanten verstärken

1. Flicken aufsetzen.
2. Beim Flicken von Rissen ist es ratsam, ein Stückchen Stoff zu unterlegen (Verstärkung). Erst über die Mitte nähen, dann beidseitig knapp überdecken, je nach Art des Gewebes und der Beschädigung 3-5 Reihen nähen.

Stretchstich



Stich	Stichbreite	Stichlänge
	2.5	S1, S2

Dreifach Geradstich (A)

Für Strapaziernähte

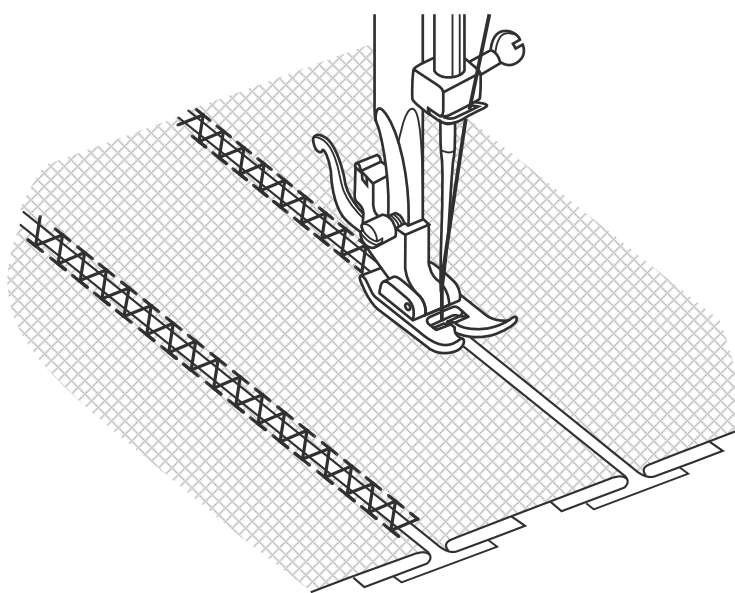
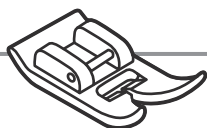
Die Nähmaschine näht zwei Stiche vorwärts und einen Stich zurück. Dies ergibt eine dreifache Verstärkung.

Stich	Stichbreite	Stichlänge
≈	3~5	S1, S2

Dreifach Zickzackstich (B)

Für Strapaziernähte, Säume und Ziernähte
Der dreifache Zickzackstich eignet sich für feste Stoffe wie Jeans, Cord usw.

Patchwork



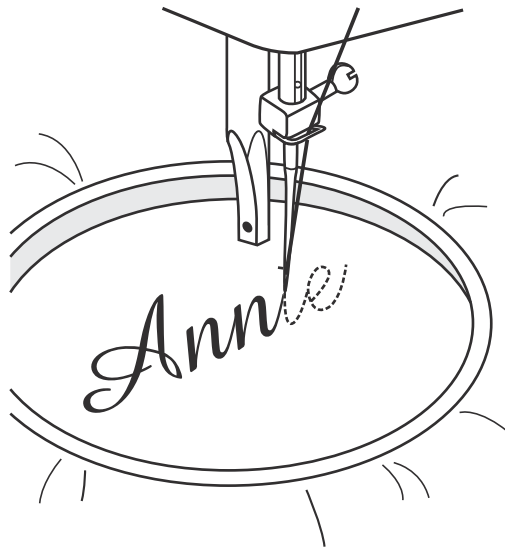
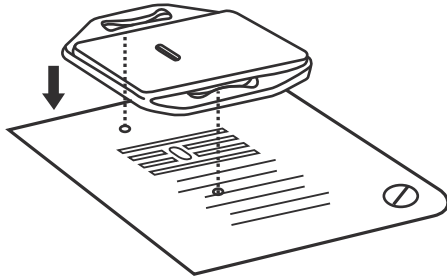
Stich	Stichbreite	Stichlänge
≈	3~5	S1

Diese Stiche werden verwendet, um zwei Stoffstücke zu verbinden und dabei einen leichten Zwischenraum zwischen ihnen zu lassen.

1. Die Ränder der beiden Stoffstücke für den Saum zurückschlagen und auf einem dünnen Papierstück festheften, wobei zwischen ihnen ein kleiner Abstand zu lassen ist.
2. Längs des Rands einstechen und beim Beginn des Nähens leicht an den beiden Fäden ziehen.
3. Benutzen Sie zum Nähen dickeren Faden als gewöhnlich.
4. Nach Beenden des Nähens die Heftung und das Papier entfernen. Zum Abschluss am Anfang und am Ende der Verbindung auf der Rückseite Knoten anbringen.

Stickereien mit Stickrahmen*

* Der Stickrahmen wird nicht mit der Nähmaschine geliefert.



Stich	Stichbreite	Stichlänge
⌘	1~5	0

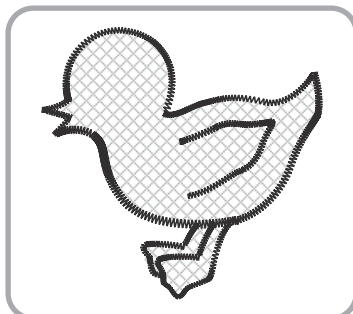
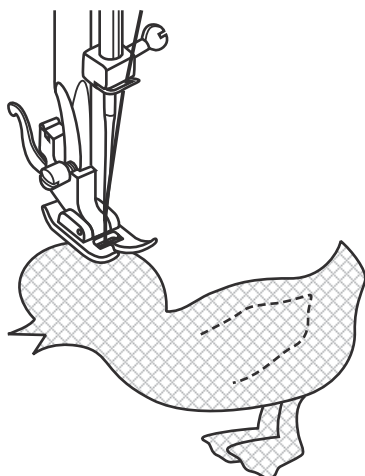
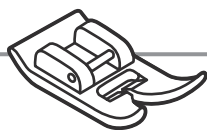
Einsetzen der Stick- und Stopfplatte

1. Den Nähfuß und seine Halterung abbauen.
2. Stick- und Stopfplatte (o) einsetzen.
3. Vor Beginn des Nähens den Zweistufen-Nähfußhebel (18) senken.
4. Stichbreite für die Größe der Buchstaben oder Muster entsprechend einstellen.

Vorbereitungen zum Stickern von Monogrammen und Motiven*

1. Die gewünschten Motive auf die Vorderseite des Stoffes mithilfe eines wasserlöslichen Textilstiftes aufzeichnen.
2. Den Stoff auf dem Stickrahmen möglichst stark spannen.
3. Den Stoff unter die Nadel platzieren. Zweistufen-Nähfußhebel (18) senken.
4. Das Handrad (21) zum Benutzer hin drehen, sodass der Unterfaden angehoben wird. Am Anfang der Stickerei einige Sicherheitsstiche nähen.
5. Halten Sie den Stickrahmen mit Daumen und Zeigefinger von beiden Händen fest.
6. Koordinieren Sie Nähgeschwindigkeit und Bewegung des Stickrahmens.

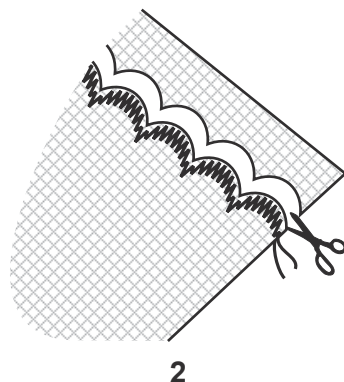
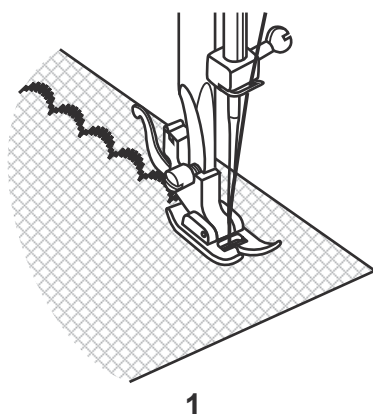
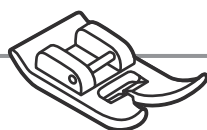
Applikationen



Stich	Stichbreite	Stichlänge
⋈	3~5	0.5~1

1. Das aufzunähende Muster ausschneiden und auf dem Stoff auflegen und festheften.
2. Langsam um das Muster nähen.
3. Das außerhalb der Stiche gelegene überschüssige Material abschneiden. Darauf achten, nicht in die Stiche zu schneiden.
4. Den Heftfaden entfernen.
5. Ober- und Unterfaden unter dem Aufnahmestück verknoten, um jegliches Austreten zu vermeiden.

Festonabschluss

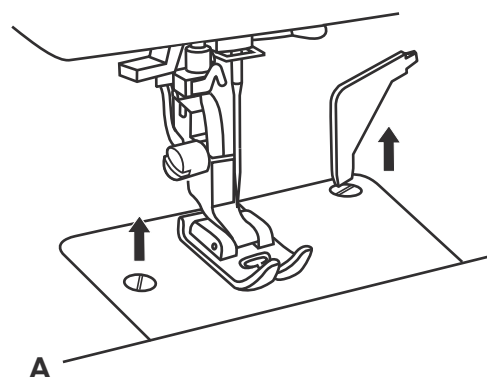


Stich	Stichbreite	Stichlänge
})	3~5	1~2

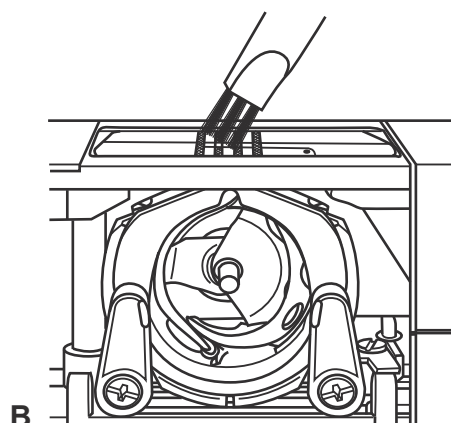
Einen dekorativen Rand erzielen Sie mit dem Festonabschluss.

1. Auf der Saumlinie nähen.
2. Stoff dicht der Nählinie entlang abschneiden. Darauf achten, dass der Nähfaden nicht mitgefasst wird.

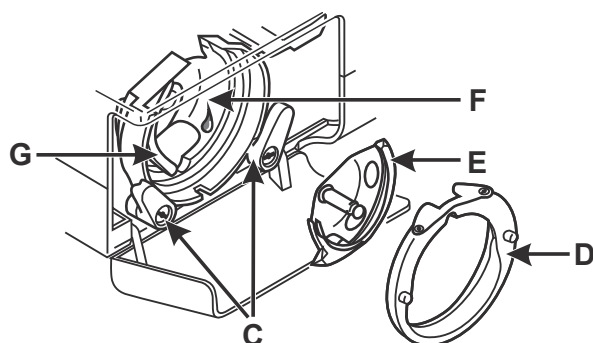
Wartung der Nähmaschine



A



B



Achtung:

Trennen Sie die Nähmaschine von der Stromversorgung, wozu Sie den Netzstecker aus der Steckdose ziehen müssen.

Bei allen Reinigungsarbeiten muss die Nähmaschine von der Stromversorgung getrennt sein.

Ausbau der Stichplatte (A)

Durch Drehen des Handrads (21) die Nadel vollständig anheben. Die Frontklappe öffnen und die Schrauben der Stichplatte (8) mit dem L-Schraubendreher (k) entfernen.

Reinigung der Greifer (B)

Die Spulenkapsel herausnehmen und den gesamten Bereich mit dem gelieferten Pinsel (n) reinigen.

Reinigung und Schmierung des Hakens (C-G)

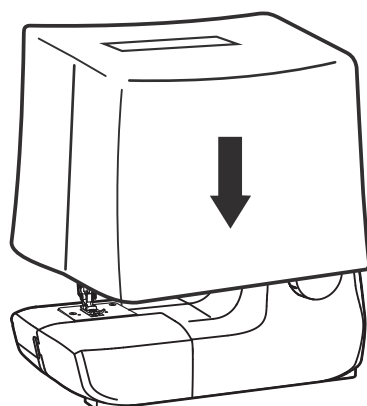
Die Spulenkapsel herausnehmen. Die beiden Hakenhalter (C) nach außen drehen. Den Bügel der Schiffchenbahn (D) und den Haken (E) entfernen und mit einem handelsüblichen weichen Lappen reinigen.

Zum Schmieren ein oder zwei Tropfen Öl an der gezeigten Stelle (F) auftragen. Das Handrad (21) soweit drehen, bis sich die Schiffchenbahn (G) links befindet. Den Haken (E) wieder einsetzen und die beiden Halter wieder nach innen drehen. Die Spulenkapsel und die Unterfadenspule montieren und die Stichplatte wieder einsetzen.

Achtung:

Entfernen Sie Flusen und Fadenreste regelmäßig!

Aufbewahrung



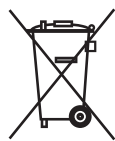
Bei Nichtgebrauch der Nähmaschine immer Netzstecker ziehen. Verwenden Sie die mitgelieferte Staubschutzhülle (s).

Bewahren Sie die Nähmaschine an einem trockenen und für Kinder unzugänglichen Ort auf. Wird die Nähmaschine längere Zeit nicht benutzt, sollte sie vor übermäßigem Staub, Schmutz oder Feuchtigkeit geschützt werden.

Beheben von Störungen

Störung	Ursache	Fehlerbehebung
Oberfaden reißt	<ol style="list-style-type: none"> 1. Die Nähmaschine ist falsch eingefädelt. 2. Die Fadenspannung ist zu stark. 3. Der Faden ist zu dick für die Nadel. 4. Die Nadel ist nicht richtig montiert. 5. Der Faden hat sich um die Spuleinrichtung (14) gewickelt. 6. Die Nadel ist beschädigt. 	<ol style="list-style-type: none"> 1. Nähmaschine und Nadel neu einfädeln. 2. Die Oberfadenspannung (3) reduzieren (kleinere Zahl). 3. Eine größere Nadel verwenden. 4. Nadel neu montieren (flache Seite nach hinten). 5. Spule (g) abnehmen und Faden abwickeln. 6. Nadel ersetzen.
Unterfaden reißt	<ol style="list-style-type: none"> 1. Die Spulenkapsel ist nicht richtig eingesetzt. 2. Die Spulenkapsel ist falsch eingefädelt. 	<ol style="list-style-type: none"> 1. Spulenkapsel neu einsetzen und am Faden ziehen. Wenn er leicht abrollt, ist es richtig. 2. Spule (g) und Kapsel überprüfen.
Fehlstiche	<ol style="list-style-type: none"> 1. Die Nadel ist falsch montiert. 2. Die Nadel ist beschädigt. 3. Die falsche Nadel ist montiert. 4. Der falsche Nähfuß ist montiert. 	<ol style="list-style-type: none"> 1. Nadel neu montieren (flache Seite nach hinten). 2. Nadel ersetzen. 3. Nadelgröße dem Stoff und Faden anpassen. 4. Kontrollieren, ob der richtige Nähfuß montiert ist.
Nadelbruch	<ol style="list-style-type: none"> 1. Die Nadel ist beschädigt. 2. Die Nadel ist nicht richtig montiert. 3. Stoff zu dick/falsche Nadelgröße. 4. Der falsche Nähfuß ist montiert. 	<ol style="list-style-type: none"> 1. Nadel ersetzen. 2. Nadel richtig montieren (flache Seite nach hinten). 3. Nadelgröße dem Stoff und Faden anpassen. 4. Richtigen Nähfuß benutzen.
Beim Nähen entstehen Schlingen	<ol style="list-style-type: none"> 1. Die Nähmaschine ist nicht richtig eingefädelt. 2. Die Spulenkapsel ist nicht richtig eingefädelt. 3. Nadel/Stoff/Faden-Verhältnis stimmt nicht. 4. Falsche Fadenspannung. 	<ol style="list-style-type: none"> 1. Nähmaschine korrekt einfädeln. 2. Kapsel wie aufgezeigt einfädeln. 3. Nadelgröße muss mit Faden und Stoff übereinstimmen. 4. Fadenspannung korrigieren.
Die Nähte ziehen sich zusammen oder kräuseln sich	<ol style="list-style-type: none"> 1. Die Nadel ist zu dick für den Stoff. 2. Die Spulenkapsel ist falsch eingefädelt. 3. Der Stoff wird beim Nähen gezogen. 	<ol style="list-style-type: none"> 1. Feinere Nadel verwenden. 2. Fadenspannung überprüfen. 3. Nutzen Sie Trägermaterial für feine oder dehnbare Textilien.
Unregelmässige Stiche unregelmässiger Transport	<ol style="list-style-type: none"> 1. Der Faden ist zu schwach. 2. Die Spulenkapsel ist falsch eingefädelt. 3. Der Stoff wird beim Nähen gezogen. 	<ol style="list-style-type: none"> 1. Stärkeren Faden verwenden. 2. Kapsel neu einfädeln und richtig einsetzen. 3. Stoff nicht ziehen. Er muss automatisch transportiert werden.
Die Nähmaschine ist laut und ruppig	<ol style="list-style-type: none"> 1. Die Nähmaschine muss geölt werden. 2. Fusseln und Ölreste kleben an Greifer oder an der Nadelstange. 3. Minderwertiges Öl, das die Nähmaschine verklebt, wurde verwendet. 4. Die Nadel ist beschädigt. 	<ol style="list-style-type: none"> 1. Nähmaschine nach Anweisung ölen. 2. Greifer und Transporteur gemäß Anweisung reinigen. 3. Nähmaschine nur mit Ölflasche (i) ölen. 4. Nadel ersetzen.
Die Nähmaschine ist blockiert	Faden im Greifer eingeklemmt.	Oberfaden und Spulenkapsel entfernen, von Hand das Handrad (21) ruckartig vor- und rückwärts drehen, Fadenreste entfernen. Nach Anweisung ölen.

Entsorgung



- Geräte mit gefährlichem Defekt sofort entsorgen und sicherstellen, dass sie nicht mehr verwendet werden können.
- Werfen Sie die Nähmaschine keinesfalls in den normalen Hausmüll.
- Dieses Produkt unterliegt der europäischen Richtlinie 2012/19/EU.
- Entsorgen Sie die Nähmaschine über einen zugelassenen Entsorgungsbetrieb oder über Ihre kommunale Entsorgungseinrichtung.
- Beachten Sie die aktuell geltenden Vorschriften. Setzen Sie sich im Zweifelsfall mit Ihrer Entsorgungseinrichtung in Verbindung.
- Führen Sie alle Verpackungsmaterialien einer umweltgerechten Entsorgung zu.

Bewahren Sie die Transportverpackung der Nähmaschine auf! Zum einen kann sie Ihnen für die Aufbewahrung der Nähmaschine nützlich sein - vor allem aber, wenn Sie die Nähmaschine zur Reparatur versenden wollen. Die meisten Schäden entstehen nämlich erst auf dem Transportweg.

Garantie

Garantie der Crown Technics GmbH

Sehr geehrte Kundin,

sehr geehrter Kunde, Sie erhalten auf dieses Gerät 3 Jahre Garantie ab Kaufdatum. Im Falle von Mängeln dieses Produkts stehen Ihnen gegen den Verkäufer des Produkts gesetzliche Rechte zu. Diese gesetzlichen Rechte werden durch unsere im Folgenden dargestellte Garantie nicht eingeschränkt.

Garantiebedingungen

Die Garantiefrist beginnt mit dem Kaufdatum. Bitte bewahren Sie den Original-Kassenbon gut auf. Dieser wird als Nachweis für den Kauf benötigt. Tritt innerhalb von drei Jahren ab dem Kaufdatum dieses Produkts ein Material- oder Fabrikationsfehler auf, wird das Produkt von uns – nach unserer Wahl – für Sie kostenlos repariert, ersetzt, oder der Kaufpreis erstattet. Diese Garantieleistung setzt voraus, dass innerhalb der Drei-Jahres-Frist das defekte Gerät und der Kaufbeleg (Kassenbon) vorgelegt und schriftlich kurz beschrieben wird, worin der Mangel besteht und wann er aufgetreten ist.

Wenn der Defekt von unserer Garantie gedeckt ist, erhalten Sie das reparierte oder ein neues Produkt zurück. Mit Reparatur oder Austausch des Produkts beginnt kein neuer Garantiezeitraum.

Garantiezeit und gesetzliche Mängelansprüche

Die Garantiezeit wird durch die Gewährleistung nicht verlängert. Dies gilt auch für ersetzte und reparierte Teile. Eventuell schon beim Kauf vorhandene Schäden und Mängel müssen sofort nach dem Auspacken gemeldet werden. Nach Ablauf der Garantiezeit anfallende Reparaturen sind kostenpflichtig.

Garantieumfang

Das Gerät wurde nach strengen Qualitätsrichtlinien sorgfältig produziert und vor Anlieferung gewissenhaft geprüft.

Die Garantieleistung gilt für Material- oder Fabrikationsfehler. Diese Garantie erstreckt sich nicht auf Produktteile, die normaler Abnutzung ausgesetzt sind und daher als Verschleißteile angesehen werden können oder für Beschädigungen an zerbrechlichen Teilen, z. B. Schalter, Akkus oder die aus Glas gefertigt sind.

Diese Garantie verfällt, wenn das Produkt beschädigt, nicht sachgemäß benutzt oder gewartet wurde. Für eine sachgemäße Benutzung des Produkts sind alle in der Bedienungsanleitung aufgeführten Anweisungen genau einzuhalten. Verwendungszwecke und Handlungen, von denen in der Bedienungsanleitung abgeraten oder vor denen gewarnt wird, sind unbedingt zu vermeiden.

Das Produkt ist lediglich für den privaten und nicht für den gewerblichen Gebrauch bestimmt. Bei missbräuchlicher und unsachgemäßer Behandlung, Gewaltanwendung und bei Eingriffen, die

Entsorgung / Garantie / Service / Hersteller

nicht von unserer autorisierten Service-Niederlassung vorgenommen wurden, erlischt die Garantie.

Abwicklung im Garantiefall

Um eine schnelle Bearbeitung Ihres Anliegens zu gewährleisten, folgen Sie bitte den folgenden Hinweisen:

- Bitte halten Sie für alle Anfragen den Kassenbon und die Artikelnummer (z. B. IAN 123456) als Nachweis für den Kauf bereit.
- Die Artikelnummer entnehmen Sie bitte dem Typenschild am Produkt, einer Gravur am Produkt, dem Titelblatt Ihrer Anleitung (unten links) oder dem Aufkleber auf der Rück- oder Unterseite des Produktes.
- Sollten Funktionsfehler oder sonstige Mängel auftreten, kontaktieren Sie zunächst die nachfolgend benannte Serviceabteilung telefonisch oder per E-Mail.
- Ein als defekt erfasstes Produkt können Sie dann unter Beifügung des Kaufbelegs (Kassenbon) und der Angabe, worin der Mangel besteht und wann er aufgetreten ist, für Sie portofrei an die Ihnen mitgeteilte Service-Anschrift übersenden.

Auf www.lidl-service.com können Sie diese und viele weitere Handbücher, Produktvideos und Installationssoftware herunterladen.

Mit diesem QR-Code gelangen Sie direkt auf die Lidl-Service-Seite (www.lidl-service.com) und können mittels der Eingabe der Artikelnummer (IAN) 123456 Ihre Bedienungsanleitung öffnen.



Servicenummer

Diese Bedienungsanleitung kann nicht jeden denkbaren Einsatz berücksichtigen.

Für weitere Informationen oder bei Problemen, die in dieser Bedienungsanleitung nicht oder nicht ausführlich genug behandelt werden, wenden Sie sich bitte an die Servicenummer: **00800 555 00 666 (kostenfrei)**

Bewahren Sie die Bedienungsanleitung sorgfältig auf und geben Sie sie an Nachbenutzer weiter.

Service-Adresse:

**CROWN Service Center
teknihall Elektronik GmbH
Breitefeld 15
DE-64839 Münster
DEUTSCHLAND**

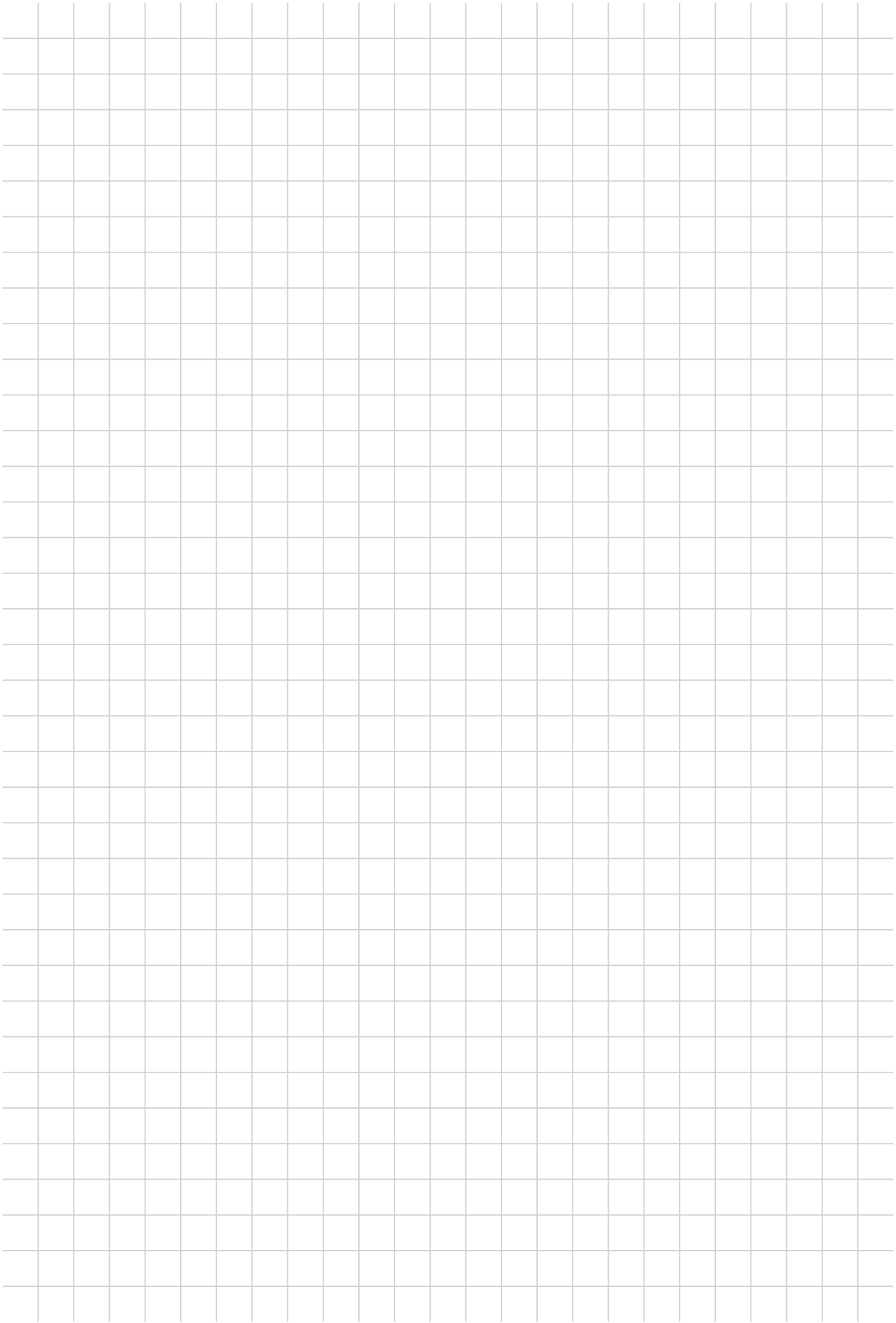
sewingguide-service-de@teknihall.com

IAN 359295

Hersteller

Bitte beachten Sie, dass die folgende Anschrift keine Serviceanschrift ist. Kontaktieren Sie zunächst die oben benannte Servicestelle.

Crown Technics GmbH
Turmstraße 4
D-78467 Konstanz
DEUTSCHLAND





Tidy man

Dispose the item in an appropriate manner.

Saubermann

Entsorgen Sie den Gegenstand auf angemessene Weise.

GB Service number for complaints:

IE 00800 555 00 666 (free)

NI

DE Servicenummer bei Reklamationen:

AT 00800 555 00 666 (kostenfrei)

CH

Last Information Update · Stand der Informationen:

03/2021 · Ident.-No.:032021

021K7U0101-02

www.sewingguide.de

IAN 359295_2010

DK, BE