



LANDROID[®]
UNMANNED
MOWING
VEHICLE

**INSTALLATION
GUIDE**

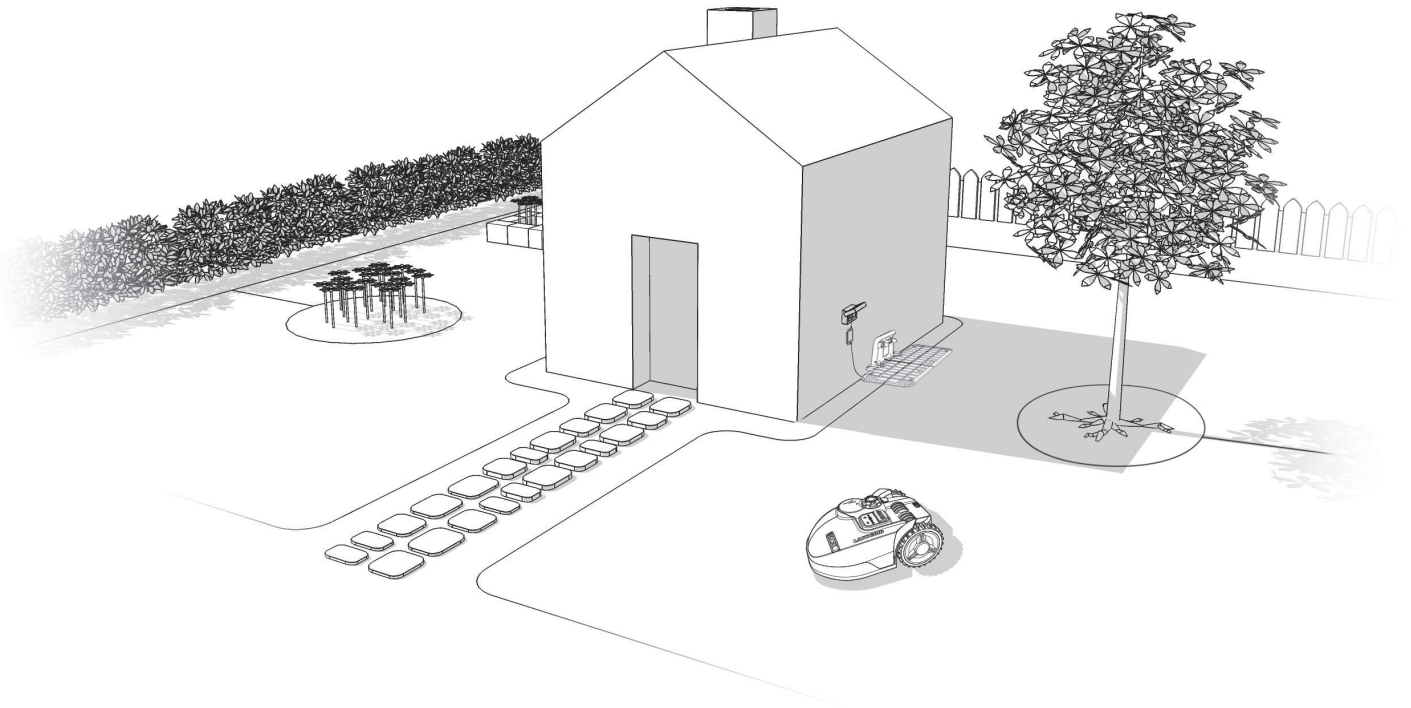


Original instructions

EN

Installation guide

EN



How to install your Landroid®

4

The installation of the Landroid® is easy. Depending on the size of your garden, the entire process only takes a short amount of time. If you are like us, you hate wasting your time to mow your lawn. The Landroid® will prove to be a great investment, providing you with years of lawn care.

You can watch the installation demo video at www.worxlandroid.com.

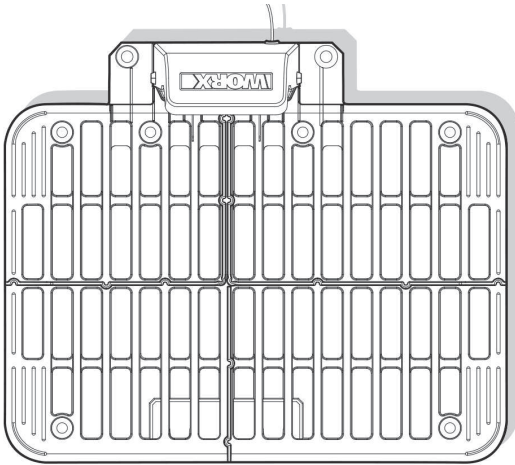
The Landroid® loves to mow

It is designed to mow often, maintaining a healthier and better looking lawn than ever before. Depending on the size of your lawn, the Landroid® may be programmed to operate at any time or frequency with no restrictions. It is here to work for you.

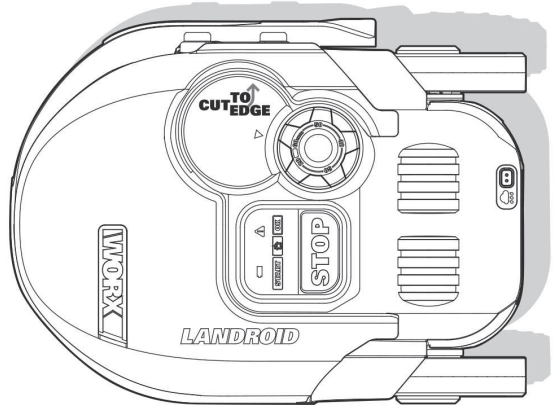
Preparation

Before starting the installation read through this entire Installation Guide carefully. Drawing a sketch of the working area including all obstacles will make you easier to see the ideal positions for the charging base and where the boundary wires should be routed.

In the box



Charging base



Landroid®



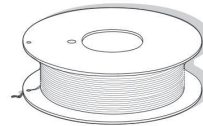
Base fixing nails



Hex key



Spare blades



Boundary wire reel



Wire pegs



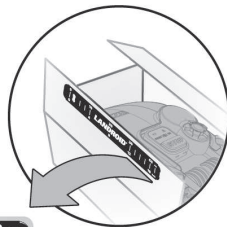
Power Adaptor



Connector



Installation guide



Distance gauge



Owner's manual



Warranty statement

From your shed



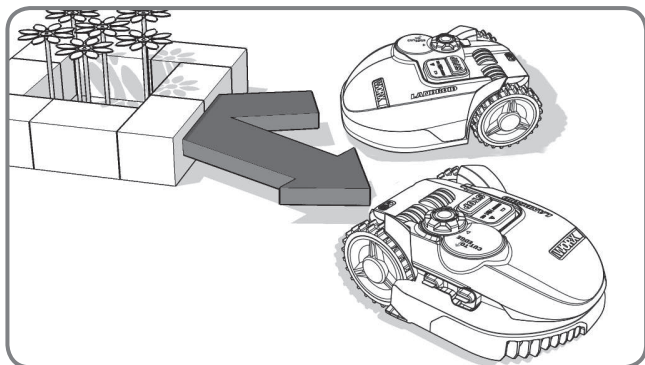
Scissors



Hammer

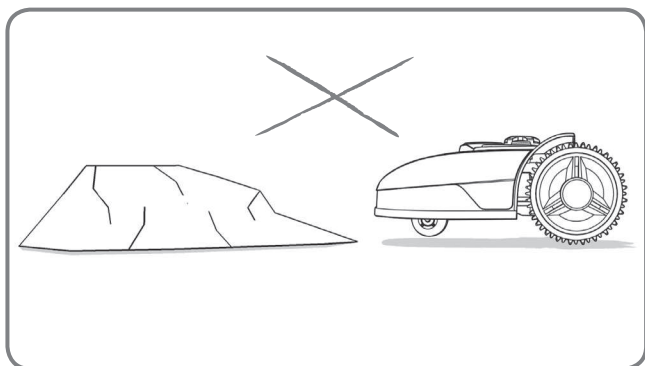
Landroid®'s new home—your garden

Let's start by having a closer look at Landroid®'s new home—your lawn—highlighting the areas where it can safely go and areas it's best for Landroid® to avoid.



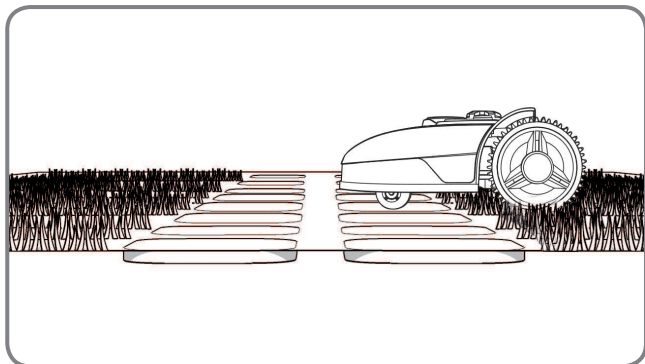
Obstacles that can be hit

When hitting any obstacle that's rigid, stable and taller than 10cm—such as a wall or a fence—your Landroid® will simply stop and re-direct away from the obstacle.



Stones

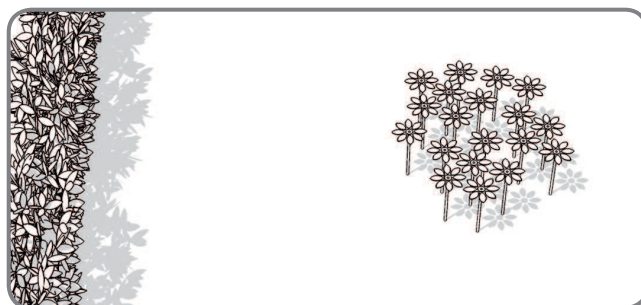
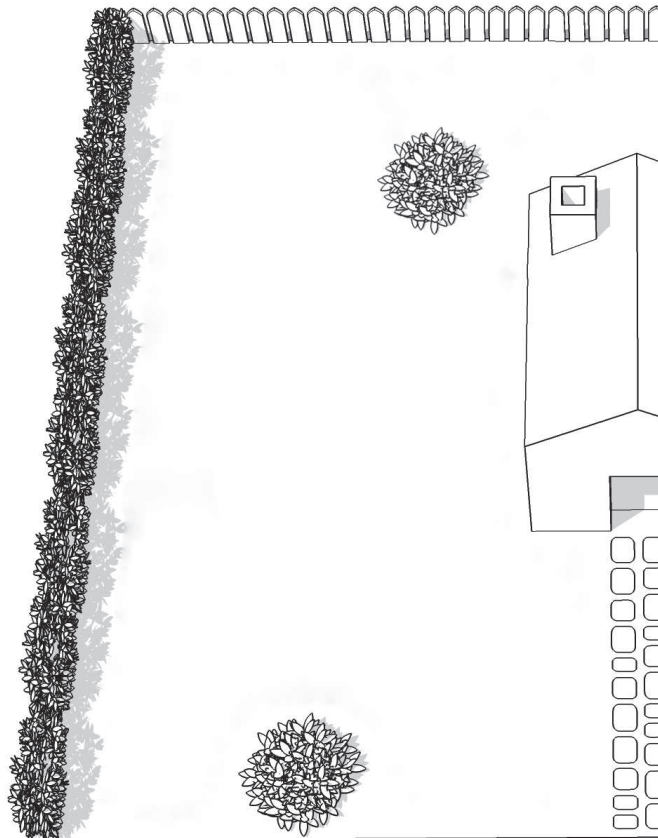
Stones that are heavy enough not to be moved by your Landroid® can be safely hit. However, if any stone has an inclined surface that your Landroid® can climb, you should either remove it or exclude it from the working area.



Driveways

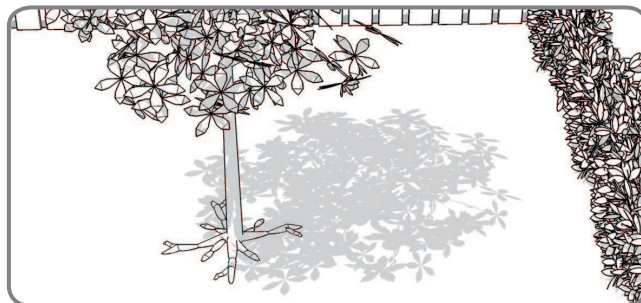
If your driveway is level with your lawn, without any protruding surface, the Landroid® can freely run over it. If you'd like the Landroid® to avoid it, place the boundary wire 10cm* away from it. If it's covered with gravel, you should not allow the Landroid® to travel over it, using the distance gauge for spacing in this case, keeping a 26cm* space between the boundary wire and the driveway.

* This is the recommended distance. Use the provided distance gauge to ensure proper installation.



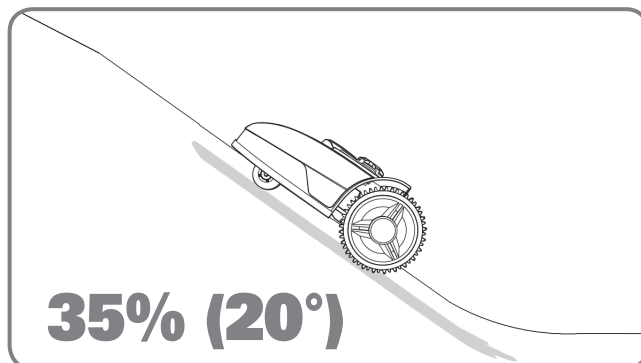
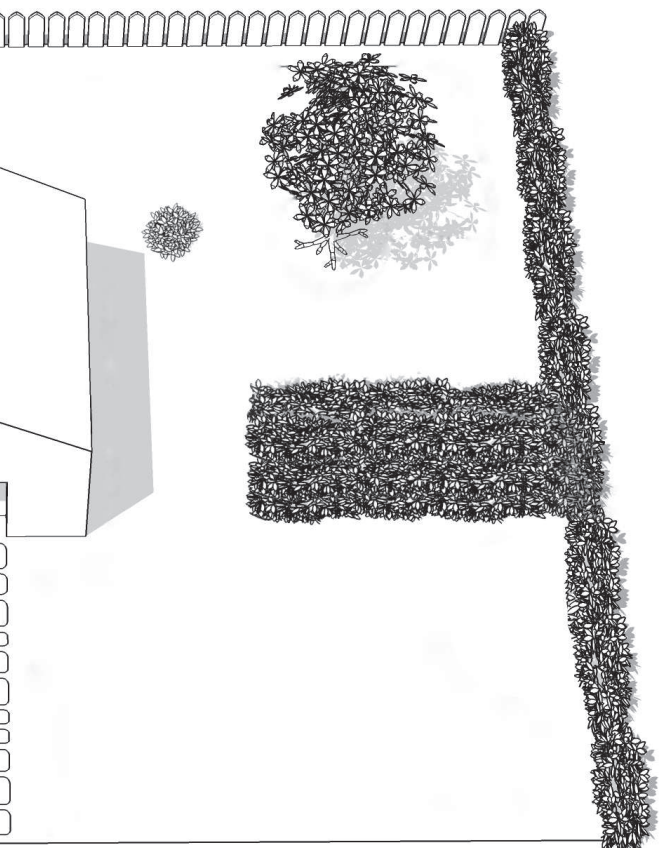
Flowerbeds, ponds, pools...

You certainly don't want your Landroid® to mow your flowers, or fall into the water. These areas should be avoided. Additionally, obstacles that are 2cm-10cm high should also be excluded from Landroid®'s operation area.



Trees

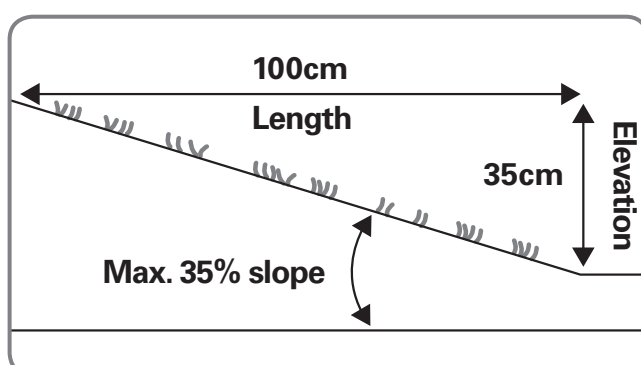
Roots emerging from the ground should be avoided to prevent unwanted damages.



Slopes

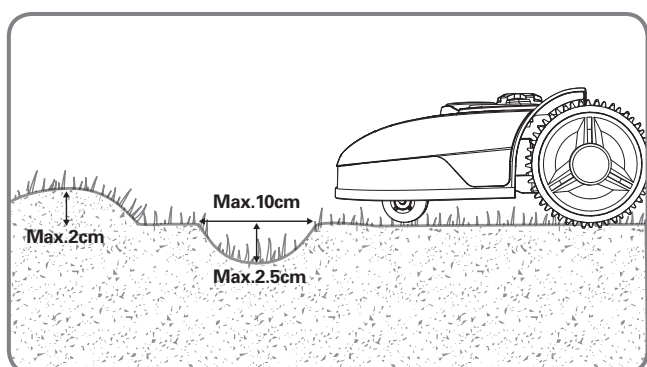
Your Landroid® has the ability to safely climb slopes up to 35% (20°), so just avoid areas steeper than this.

**How to calculate the slope of your lawn?



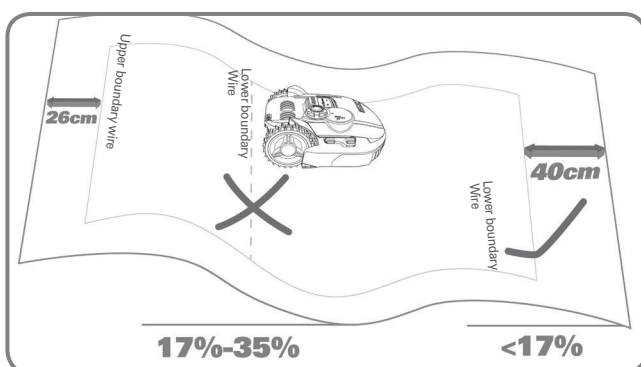
So the slope would be:

$$\frac{35\text{cm (Elevation)}}{100\text{cm (Length)}} = 35\% \text{ (slope)}$$



Depressions and bumps

In the case of large bumps (higher than 2cm) or dips (wider than 10cm and deeper than 2.5cm), please consider if the blades would touch the ground or if Landroid® would stuck on them; if this is the case, either make the inclines smoother or exclude these areas from your Landroid®'s operation.

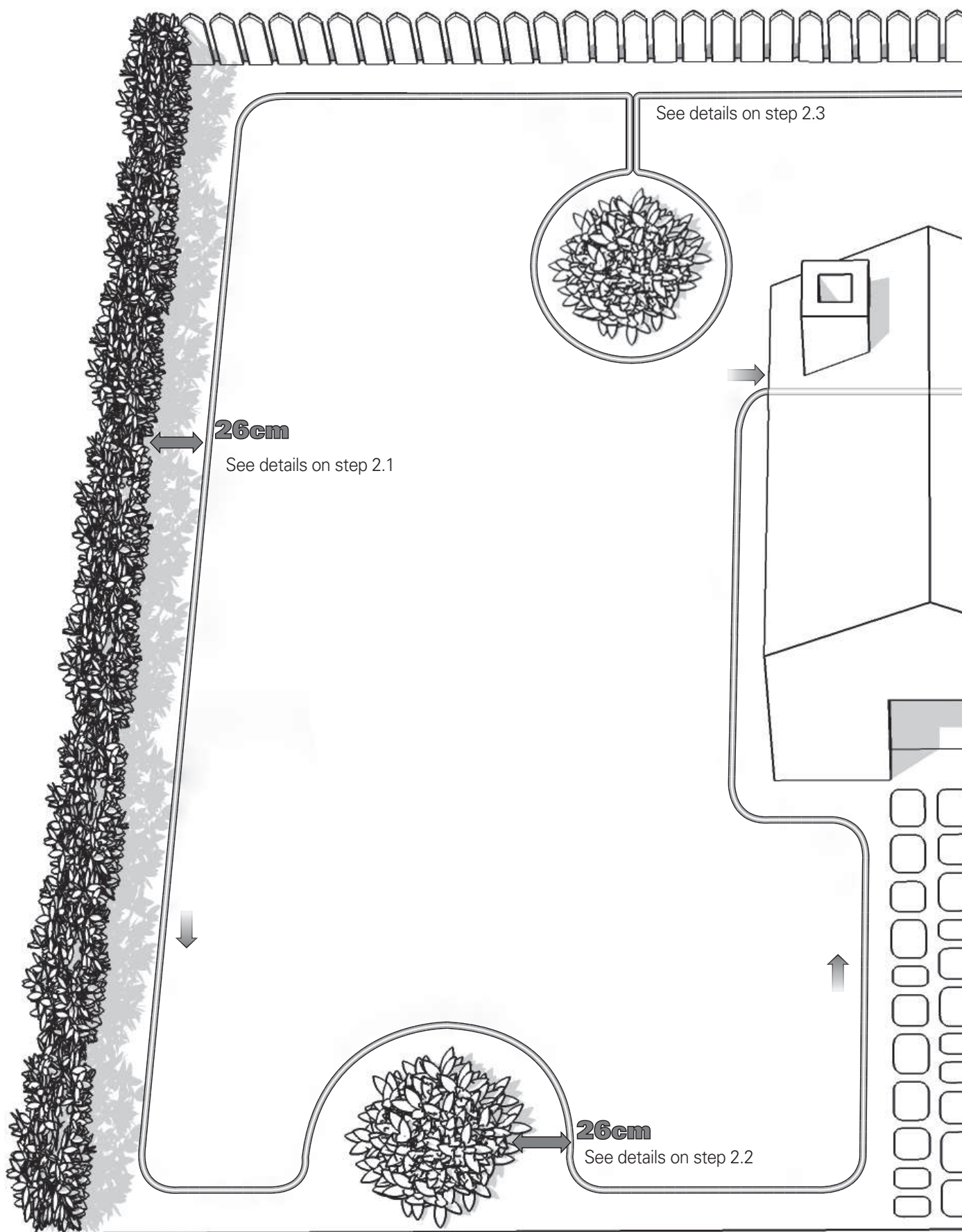


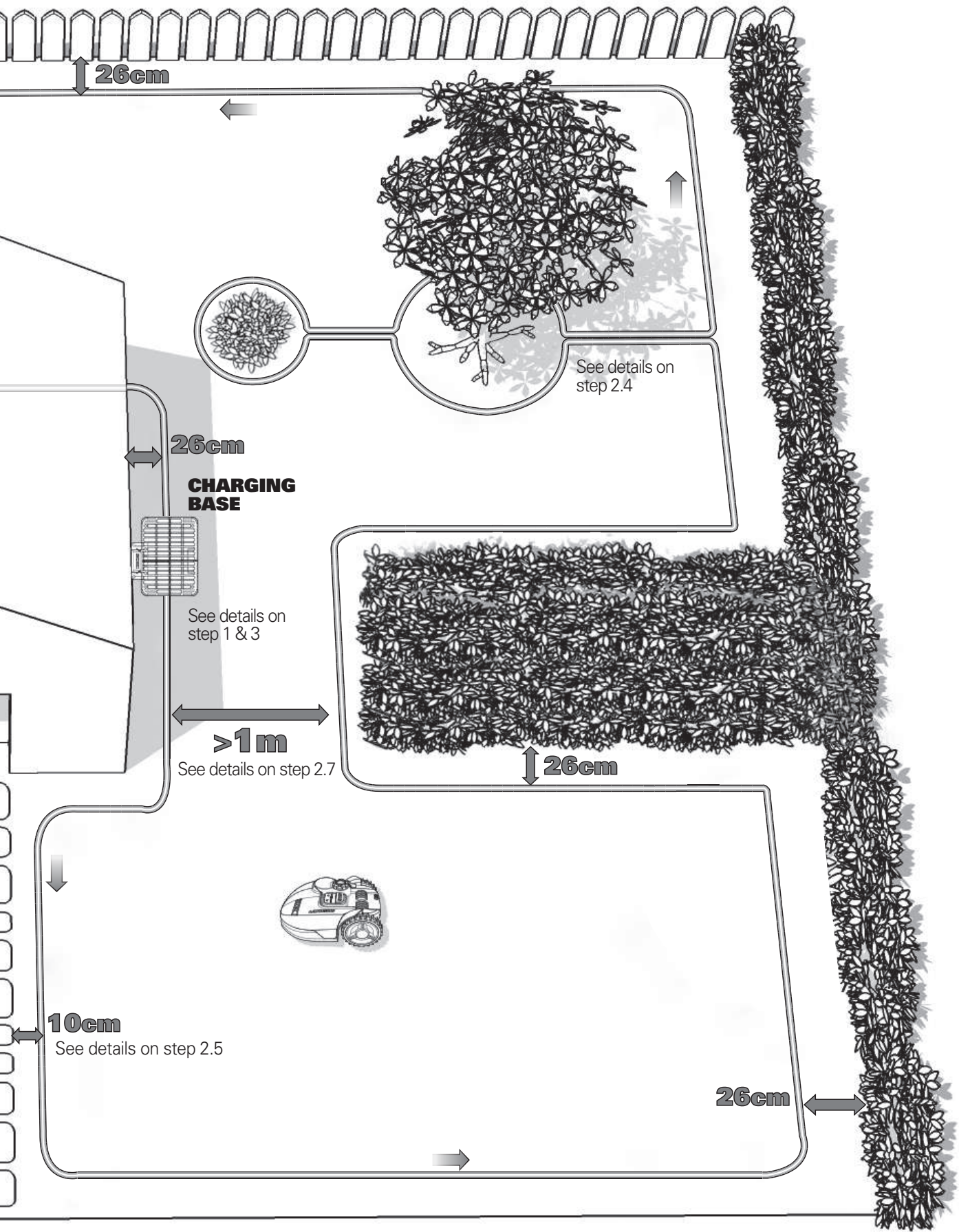
Placement of Boundary Wire on slopes

The Upper Boundary Wire should NOT be placed on slopes steeper than 35% (20°). The Upper Boundary Wire should have a distance of at least 26cm between any obstacles. The Lower Boundary Wire should NOT be placed on slopes steeper than 17% (10°). The Lower Boundary Wire should have a distance of at least 40cm between any obstacles when it is positioned on a slope that is 17%.

NOTE: The lower boundary wire cannot be laid across a slope steeper than 17%, or Landroid® will slip and cross outside the wire, especially when the grass is wet.

Installation





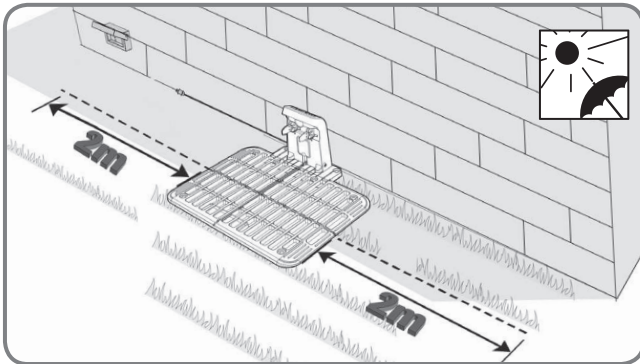
Your Landroid® needs to know where to mow. This is why you have to mark its working area with a boundary wire that will form an invisible fence. This wire will also guide your Landroid® to its charging base.

If your neighbor also uses a Landroid®, then you must keep a space of at least 0.5 metres between your boundary wire and your neighbor's.

1. Placing the Charging Base

First of all, find a spot for the charging base, taking into account the position of your outdoor electrical outlet since the charging base only has a 10m power cord.

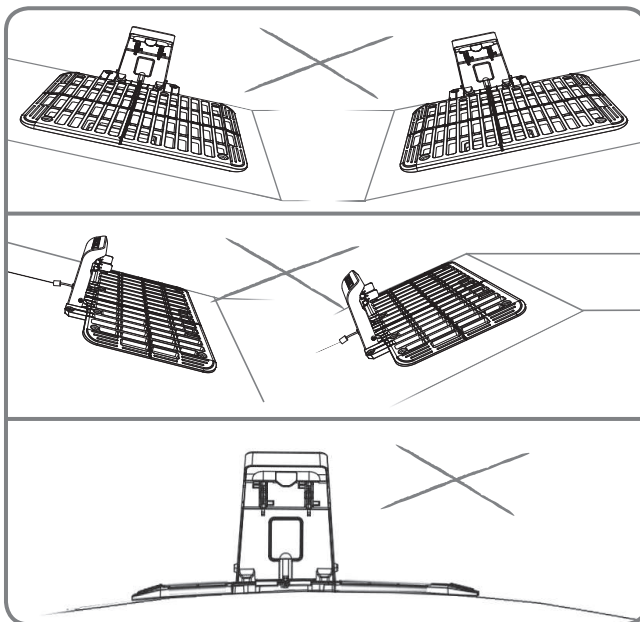
NOTE: Make sure the adaptor and the electrical outlet are always kept in a dry place.



1.1

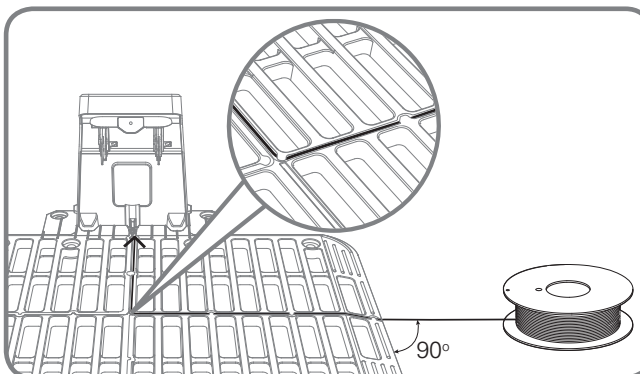
Landroid®'s charging base is allowed to be placed against the wall or fence, with the charging components facing into your lawn. Allow a straight boundary wire, at least 2m long with no obstacles to the left and right of the charging base. If possible, place the charging base in the shade, and batteries are better recharged in a cool place.

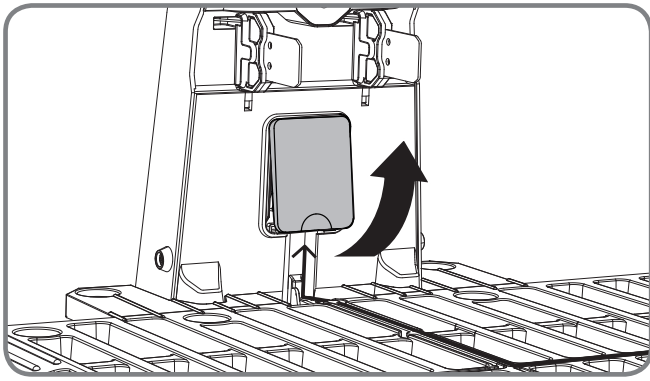
The charging base must be positioned on relatively level ground. It must not be positioned on an inclined surface or a place that makes its plate bend.



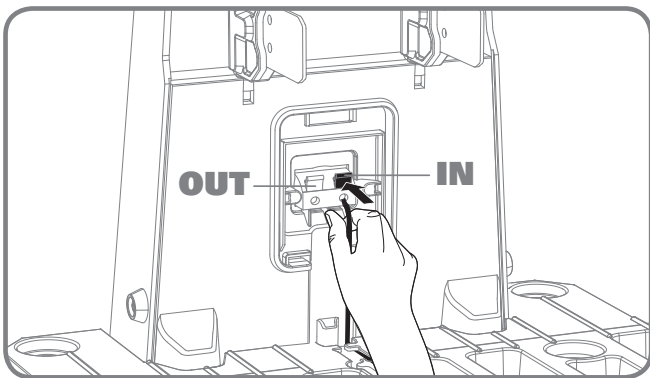
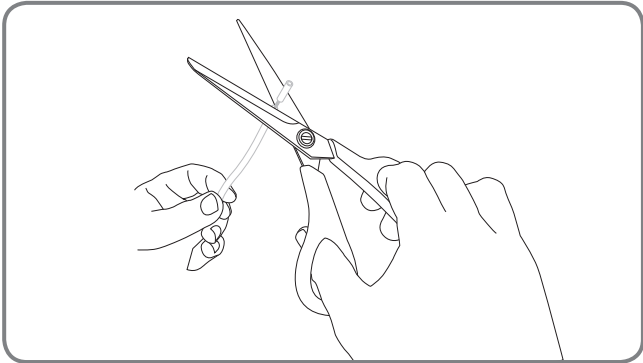
1.2

There are grooves on the charging base. Slide the boundary wire in, and the grooves guide the boundary wire to the wire terminal.





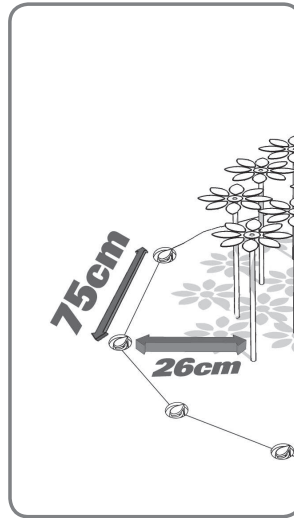
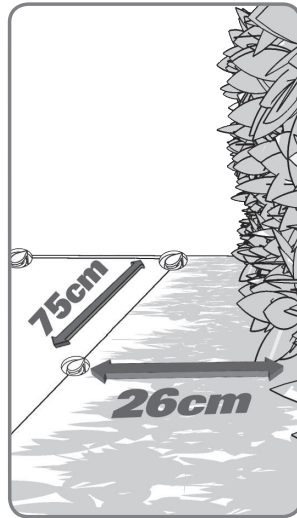
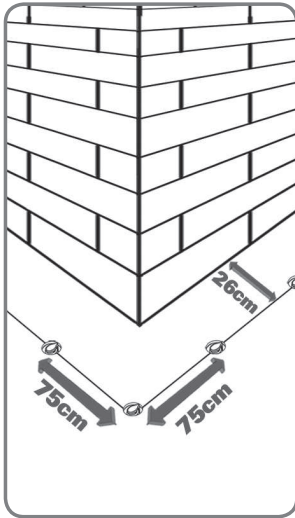
Take off the cover on the charging base, you will see an **IN**-wire terminal (Black) and an **OUT**-wire terminal (Red). Strip the end of the boundary wire off to let the metal part expose, and connect the wire to the IN-wire terminal (Black) of the charging base.



NOTE: The extended boundary wire should not be too long or it may cause signal problem. Make sure the wire is straight and tight all throughout.

2. Pegging Your Boundary Wire

When pegging the boundary wire for the first time, it is recommended to use a normal lawn mower or a grass trimmer to cut the grass along the boundary. Then the wire can be laid as close as possible to the ground to prevent the Landroid® accidentally cutting the wire. The boundary wire is powered with a very low voltage so that it is totally safe to human beings and pets.



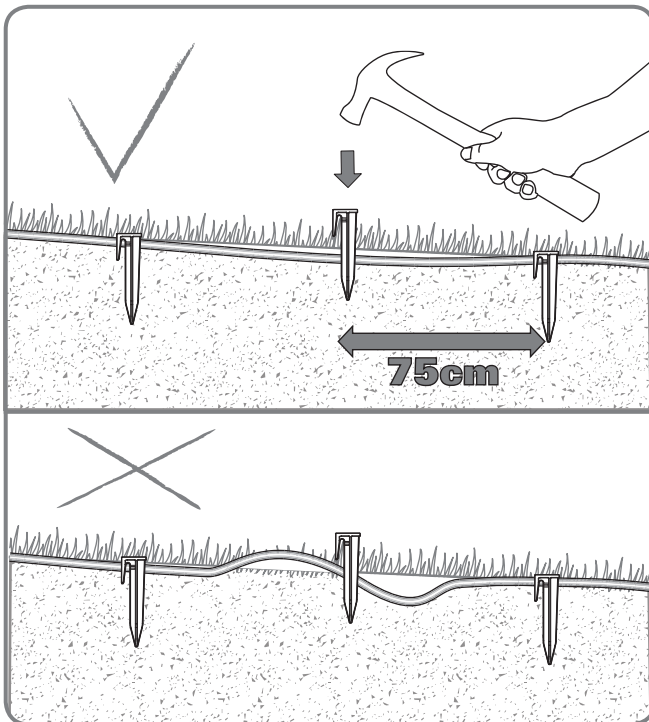
2.1

When laying the boundary wire, use the distance gauge to keep a 26cm space between the wire and the boundary.

Each wire peg should be placed around 75cm apart. Use the provided distance gauge to ensure proper installation.

NOTE: The maximum permitted length for the boundary wire is 350m.

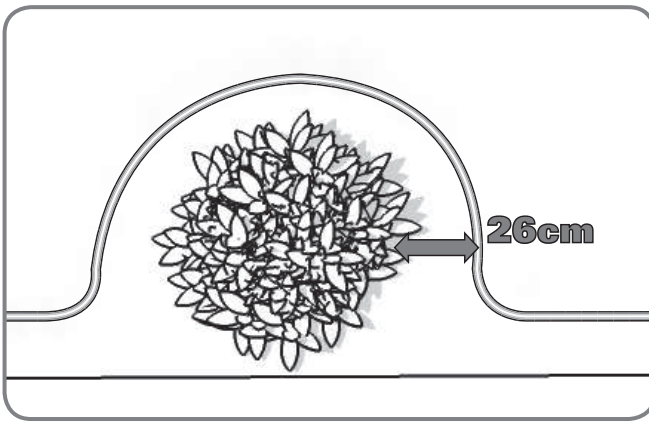
12
EN



NOTE: Keep the boundary wire straight and tight between the pegs, there should be no slack wire between the pegs.

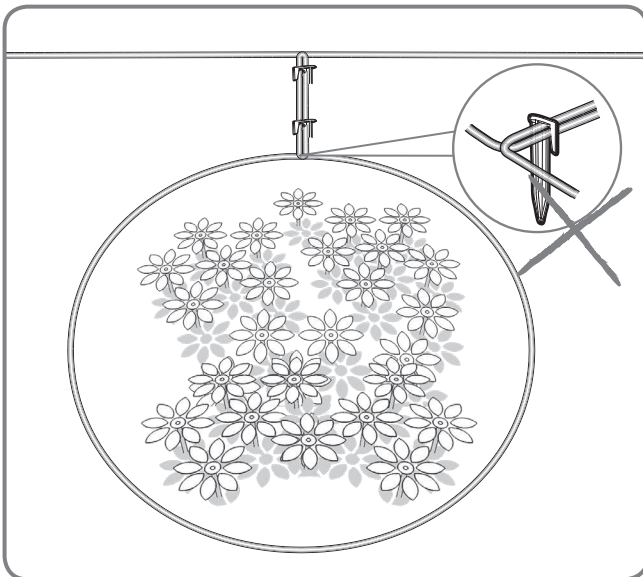
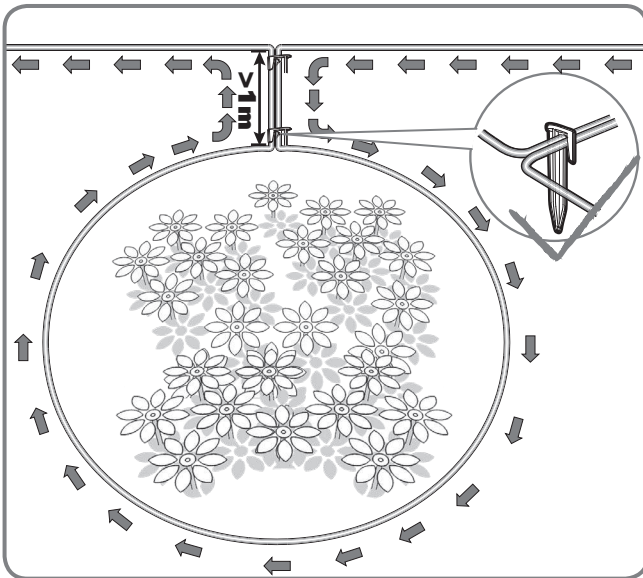
2.2

A feature, such as flowers or shrubs that are close to the mowing boundary, should be excluded from the Landroid® mowing area.



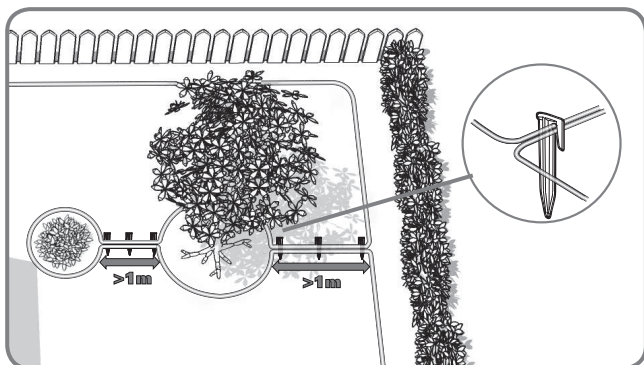
2.3

If there is an island that sits inside your lawn where you don't want Landroid® to go, please follow the path as shown in the diagram as you peg the wire. The wire should run from the perimeter to outline the defined island and then return back to the perimeter. The boundary wire between the island and perimeter should be closely laid together and held in place by the same wire peg. During operation, the Landroid® will be able to freely pass over this part of the wire.



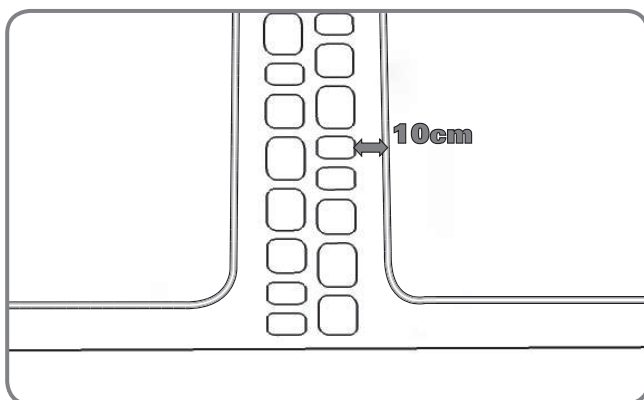
2.4

In the case of two islands that are close to each other, it would be convenient to lay out the wire as illustrated in the picture. The Landroid® can travel freely over the boundary wire in between the islands and the mowing boundary.



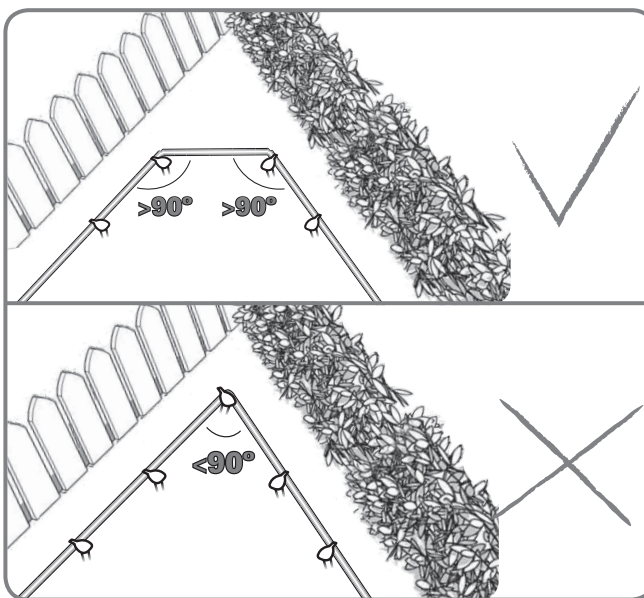
2.5

In the case of an obstacle that is level with ground and safe for the Landroid® to run over, such as a driveway or sidewalk, then only a 10cm space is needed.



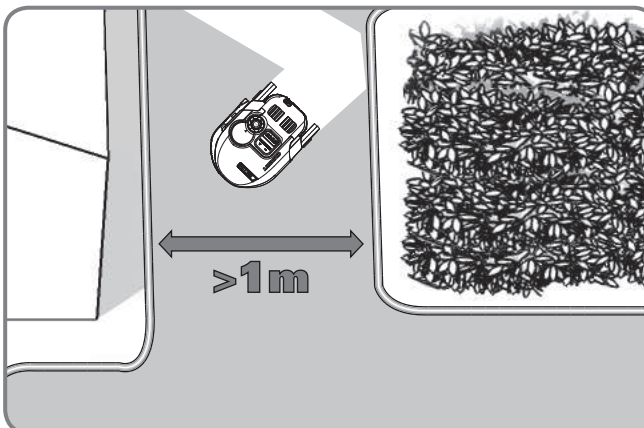
2.6

Ensure the boundary wire is perfectly straight in each corner, and all angles formed by the boundary wire are bigger than 90° .



2.7

If your lawn has two or more separate areas connected to each other by a corridor, it should be at least 1 metre wide. If the corridor is too narrow, please pick your Landroid® up and bring it to the other lawn. Landroid® will mow this lawn without problem, but you have to bring it back to the charging base when the battery runs out.



2.8

Completing the setup of the boundary wire

Having outlined your garden with the boundary wire, you are now able to finish up the boundary wire setting.

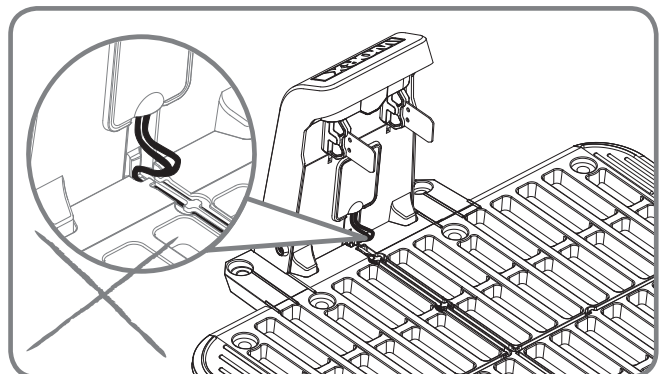
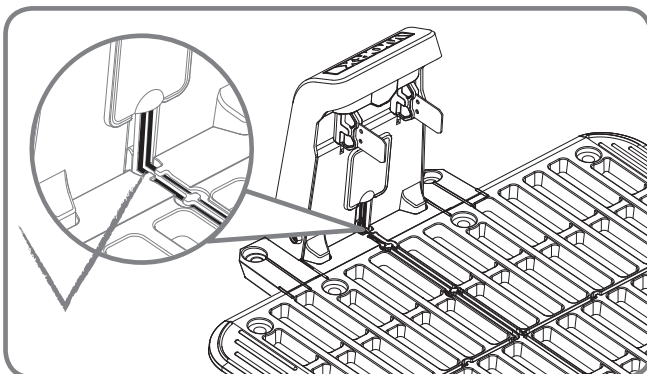
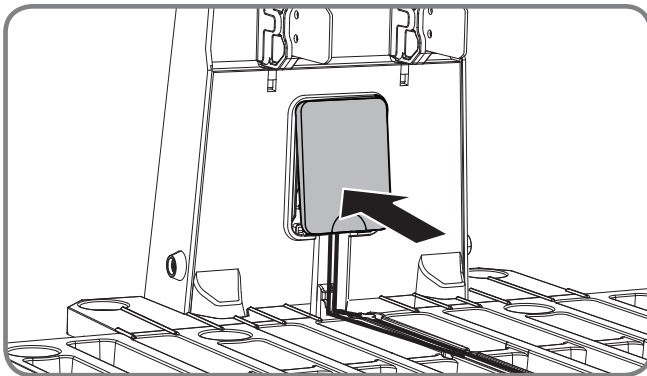
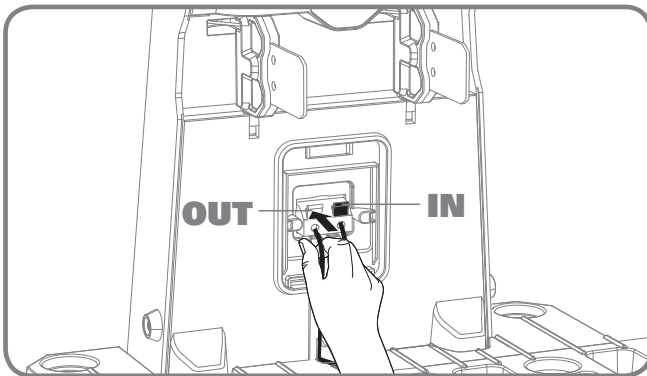
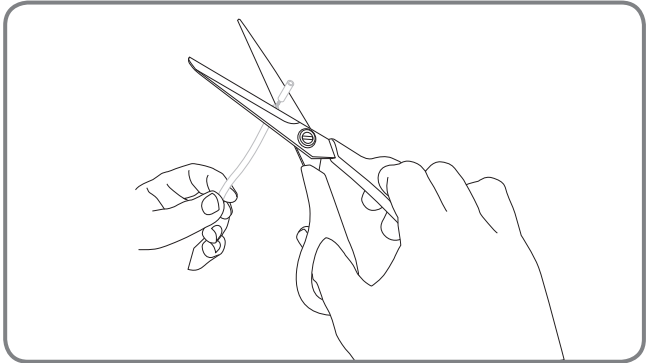
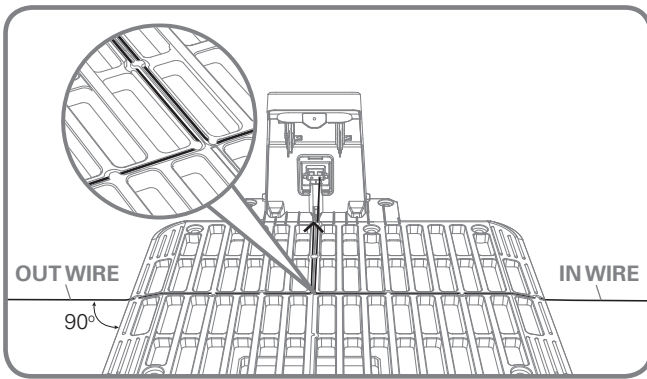
Repeat Step 1.2 to lead the boundary wire to the charging base.

Then cut the wire to a length that's appropriate for reaching the terminal on the charging base, and strip the end of the boundary wire off.

Connect the wire to the OUT-wire terminal (Red), and fit the terminal cover back on.

NOTE: The boundary wire must not be crossed when connecting to the charging base. The right-hand wire end must be connected to the IN-wire terminal on the charging base and the left-hand wire end to the OUT-wire terminal.

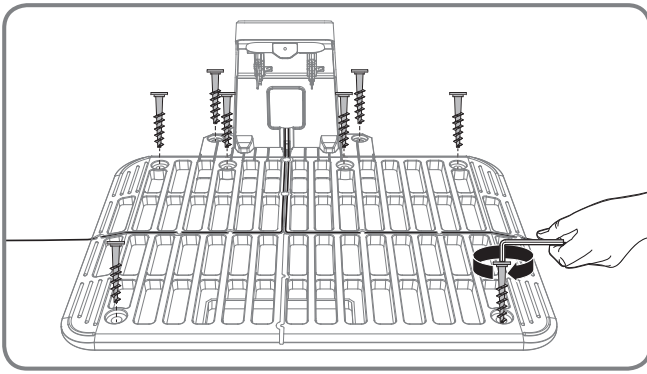
NOTE: The extended boundary wire should not be too long or it may cause signal problem. Make sure the wire is straight and tight all throughout.



2.9

Securing your charging base

You can now permanently fix the charging base on the ground by tightening the supplied Base Fixing Nails with the supplied Hex key.

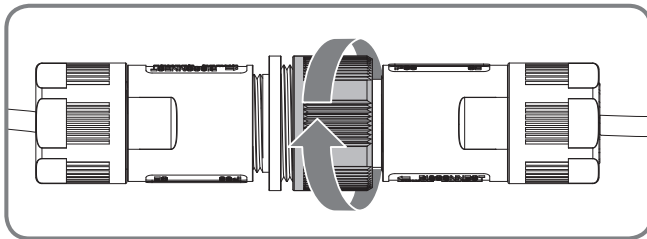
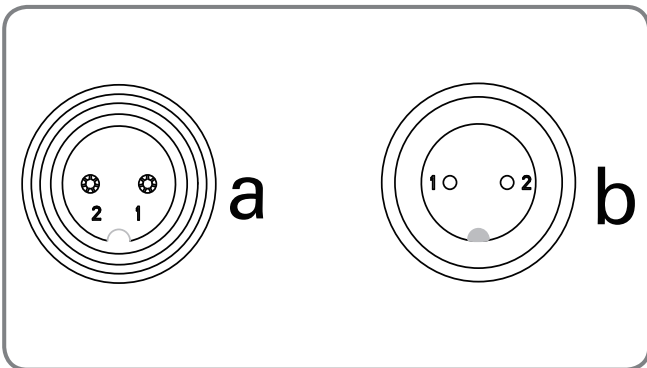


3. Connecting Your Charging Base to the Power Source

3.1

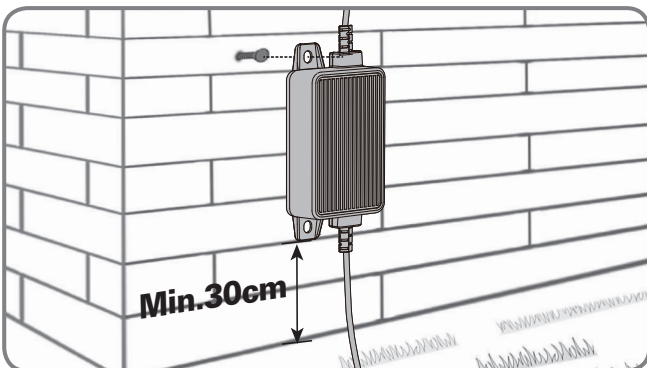
When connecting the power cord of the charging base to the adaptor, align the notch on the power cord connector (b) with the groove on the adaptor connector (a).

In case the power cord is within the working area, you may bury it as needed.



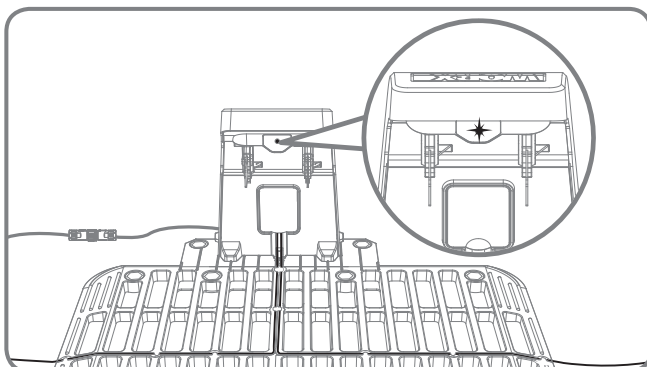
NOTE:

Select a dry and sheltered place to keep the adaptor. It is recommended to hang the adaptor on a vertical surface, such as a wall.



3.2

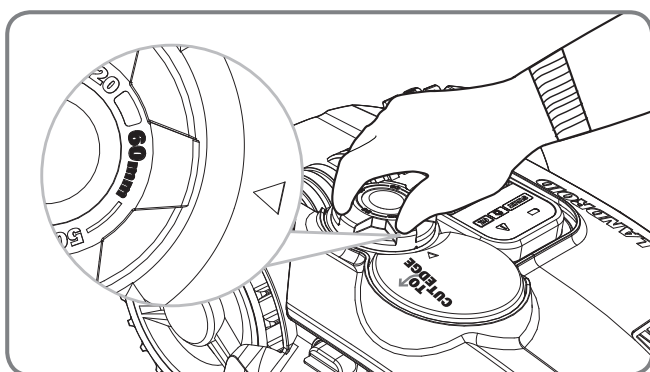
Then connect the adaptor to the electrical outlet, the LED on the charging base will turn on. Check the LED status to make sure the connection is OK.



LED light indicator	Status	Action
Light does not turn on	There is no power.	Check if the power cord is connected properly to the charger and the charger is connected to a suitable power supply.
Green light on	Boundary wire is connected successfully; fully charged.	/
Green light on, Landroid® is inside its territory but does not move.	Boundary wire is connected in wrong direction.	Check and reverse two ends of boundary wire.
Green light flashing	Power supply is connected successfully, while the wire is connected unsuccessfully.	Check that the Boundary Wire has been connected correctly to the charging base. Check there are no breaks in the boundary wire.
Red light on	Charging	/

4. Turn on and Test the Installation

This is the exciting part where you can turn your Landroid® on for the first time.

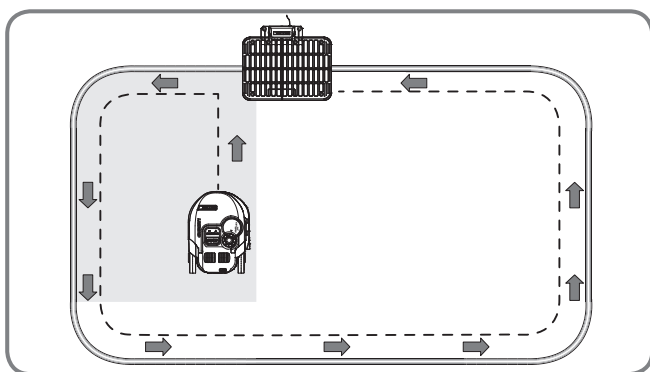


4.1

Adjust the cutting height to its maximum level (60mm) for the first mow and then adjust to your preferred lawn grass height.

Place your Landroid® inside the working area, a few meters from the back of the charging base. Landroid®, after turning on, will go through the entire boundary wire before returning to charging base. This allows you to check if the boundary wire is laid out properly.

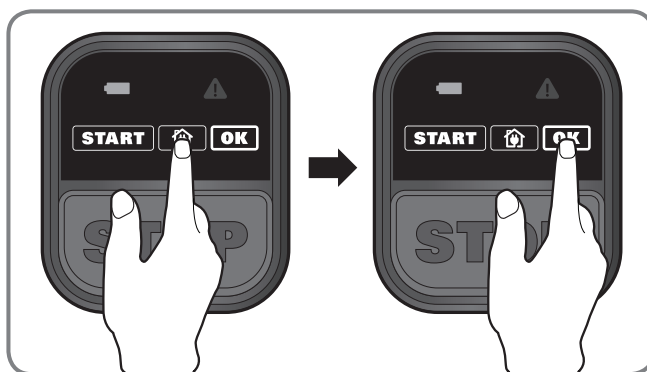
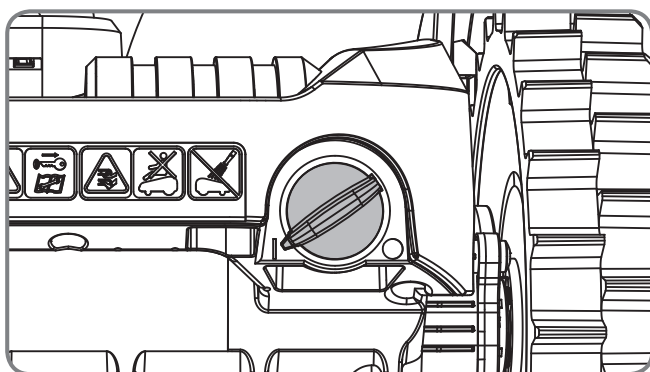
Set the main switch at the rear of Landroid® to Position "I". Press "🏠" button and then press "OK" button.



4.2

Your Landroid® now is finding its way to the charging base. Watch the Landroid® as it returns to the charging base and modify the positioning of the boundary wire if necessary. When the Landroid® successfully returns to the charging base, this means the installation has been successfully completed!

NOTE: If the boundary wire is broken during the testing or you find you need to extend the boundary wire, please refer to "**Joining the Boundary Wire**" in Owner's Manual for instructions.





Warning

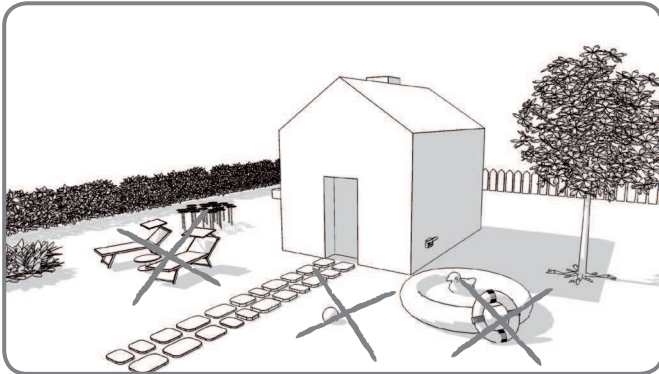
- If your Landroid® is outside its territory, it will not move and the LED error light will be in red and flashing, and the machine will beep. Just move it inside its territory and repeat Step 4.
- Landroid® turns on, but the blade disc does not move. This is normal, Landroid® needs to recharge, the blade disc does not rotate while it is searching for the Charging Base automatically.
- If your Landroid® is inside its territory but the LED error light is on and in red, please refer to “**Error Messages**” in Owner’s Manual for solutions.
- Your Landroid® should always remain switched on. If you ever need to turn it off, then make sure you place it within its boundary area before you switching it back on again.
- Should your Landroid® stop operating, simply restart it and operate it as you normally would.

NOTE: Please refer to the Owner’s Manual for more information.

Ready to go?

The Landroid® is designed for maintaining your grass at a perfect length during the season, but is not designed for deforesting a jungle. Before it starts mowing for the first time,

1. You should mow your lawn to the desired height.
2. Make sure the operating area is clear from objects such as toys and branches...



Next spring, let your Landroid® start mowing early, when the grass is still short, so that you can avoid a preliminary grass cut.

www.worxlandroid.com

WORX
it's your nature