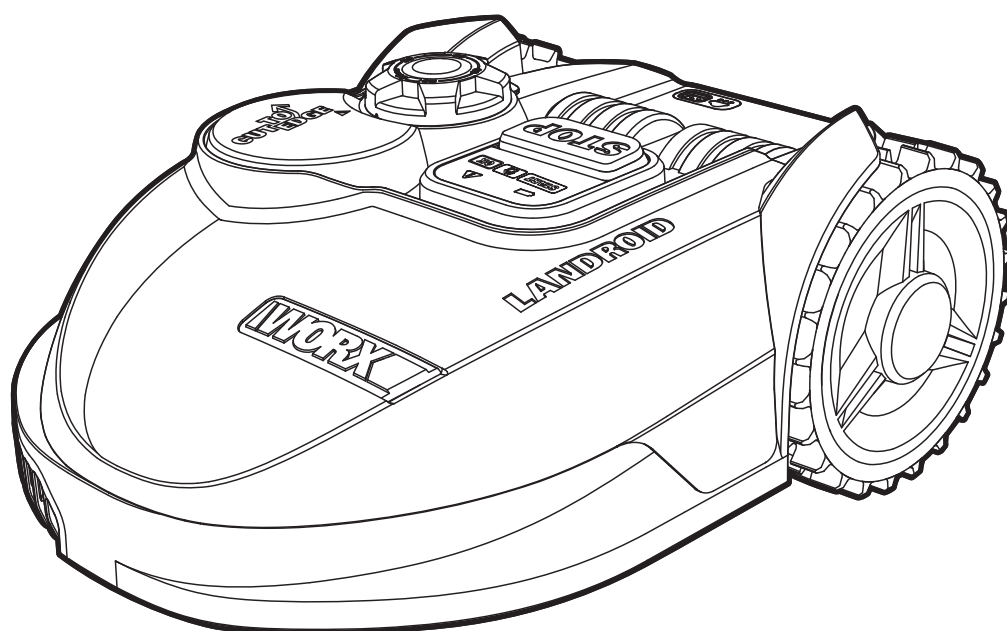


WORX®



LANDROID®
UNMANNED
MOWING
VEHICLE

ORIGINAL INSTRUCTIONS

TABLE OF CONTENTS

1. Product Safety	3
1.1 General & Additional Safety Instruction	
1.2 Information on the Landroid®	
2. Component list	6
3. Control Panel	8
4. Intended Use	8
5. Understanding Your Landroid®	9
5.1 How does my Landroid® know what to mow?	
5.2 How does my Landroid® know where to go?	
A. Finding the charging base	
B. Rain sensors	
C. Sensing the boundary wire	
D. Starting and stopping while mowing	
5.3 Cut to Edge	
5.4 Working Time	
5.5 How efficiently will my Landroid® mow the grass?	
6. APP	12
7. Boundary Wire Basics	12
7.1 Pegging the Boundary Wire	
7.2 Burying the Boundary Wire	
7.3 Joining the Boundary Wire	
8. Software update	13
9. Maintenance	14
9.1 Keep it Sharp	
A. Replace the Blades	
9.2 Keep it Clean	
A. Cleaning the Body	
B. Cleaning the Underside	
C. Clean the contact pins and the charging strips	
9.3 Battery Life	
9.4 Winter Hibernation	
9.5 Replacing the battery	
10. Function messages	17
11. Security	17
12. Error Messages	18
13. Fault symptoms	19

Original instruction

1. Product Safety

1.1 General & Additional Safety Instruction

 **WARNING: Read all safety warnings and all instructions.** Failure to follow the warnings and instructions may result in electric shock, fire and/or serious injury.

Carefully read the instructions for the safe operation of the machine.

Save all warnings and instructions for future reference.

- This appliance is not intended for use by persons (including children) with reduced physical, sensory or mental capabilities, or lack of experience and knowledge, unless they have been given supervision or instruction concerning use of the appliance by a person responsible for their safety.
- Children should be supervised to ensure that they do not play with the appliance.
- The appliance is only to be used with the power supply unit provided with the appliance.

**IMPORTANT
READ CAREFULLY BEFORE USE
KEEP FOR FUTURE REFERENCE**

SAFE OPERATION PRACTICES

Training

- a) Read the instructions carefully. Make sure you understand the instructions and be familiar with the controls and the proper use of the appliance;
- b) Never allow people unfamiliar with these instructions or children to use the appliance. Local regulations can restrict the age of the operator;
- c) The operator or user is responsible for accidents or hazards occurring to other people or their property.

Preparation

- a) Ensure the correct installation of the boundary wire as instructed.
- b) Periodically inspect the area where the appliance is to be used and remove all stones, sticks, wires, bones, and other foreign objects.
- c) Periodically visually inspect to see that the blades, blade bolts and cutter assembly are not worn or damaged. Replace worn or damaged blades and bolts in sets to preserve balance.
- d) On multi-spindle appliances, take care as rotating one blade can cause other blades to rotate.
- e) **WARNING!** The lawnmower shall not be operated without the guard in place.

OPERATION

1. GENERAL

- a) Never operate the appliance with defective guards, or without safety devices, for example deflectors, in place.
- b) Do not put hands or feet near or under rotating parts. Keep clear of the discharge opening at all times.
- c) Never pick up or carry an appliance while the motor is running.
- d) Remove the disabling device from the appliance.
 - Before clearing a blockage;
 - Before checking, cleaning or working on the appliance.
- e) It is not permitted to modify the original design of robotic lawnmower. All modifications are made at your own risk.
- f) Start robotic lawnmower according to the instructions. Never put your hands and feet under the mower.
- g) Do not let persons who do not know how robotic lawnmower works and behaves use the mower.
- h) Do not put anything on top of robotic lawnmower or its charging station.
- i) Do not allow robotic lawnmower to be used with a defective blade disc or body. Neither should it be used with defective blades, screws, nuts or cables.
- j) Always switch off robotic lawnmower when you do not intend to use the mower.
- k) Keep your hands and feet away from the rotating blades. Never place your hands or feet close to or under the body when robotic lawnmower is in operation.

2. ADDITIONALLY WHEN THE APPLIANCE IS OPERATING AUTOMATICALLY

- a) Do not leave the machine to operate unattended if you know that there are pets, children or people in the vicinity.

MAINTENANCE AND STORAGE

 **WARNING! When the machine is stopped for servicing, inspection, or storage, or to change the blades, remove the key from the machine and make sure that the blades are come to a complete**

stop.

- a) Keep all nuts, bolts and screws tight to be sure the appliance is in safe working condition.
- b) Inspect the robotic lawnmower each week and replace worn or damaged parts for safety.
- c) Check especially that the blades and blade disc are not damaged. Replace all blades and screws at the same time if necessary so that the rotating parts are balanced.
- d) Ensure that only replacement cutting means of the right type are used.
- e) Ensure that batteries are charged using the correct charger recommended by the manufacturer. Incorrect use may result in electric shock, overheating or leakage of corrosive liquid from the battery.
- f) In the event of leakage of electrolyte flush with water/neutralizing agent, seek medical help if it comes into contact with the eyes etc.
- g) Servicing of the appliance should be according to manufacturers' instructions.

Transport

The original packaging should be used when transporting robotic lawnmower over long distances.

To safely move from or within the working area:

- a) Press the **STOP** button to stop the mower.
- b) Always switch off robotic lawnmower if you intend to carry the mower.
- c) Carry the mower by the handle at the rear under the mower. Carry the mower with the blade disc away from the body.

Safety warnings for battery pack inside the tool

- a) Do not dismantle, open or shred battery pack.**
- b) Do not short-circuit a battery pack. Do not store battery packs haphazardly in a box or drawer where they may short-circuit each other or be short-circuited by conductive materials.** When battery pack is not in use, keep it away from other metal objects, like paper clips, coins, keys, nails, screws or other small metal objects, that can make a connection from one terminal to another. Shorting the battery terminals together may cause burns or a fire.
- c) Do not expose battery pack to heat or fire. Avoid storage in direct sunlight.**
- d) Do not subject battery pack to mechanical shock.**
- e) In the event of battery leaking, do not allow the liquid to come into contact with the skin or eyes. If contact has been made, wash the affected area with copious amounts of water and seek medical advice.**
- f) Seek medical advice immediately if a cell or battery pack has been swallowed.**
- g) Keep battery pack clean and dry.**
- h) Battery pack gives its best performance when it is operated at normal room temperature (20°C ± 5°C).**
- i) When disposing of battery packs, keep battery packs of different electrochemical systems separate from each other.**
- j) Recharge only with the charger specified by WORX. Do not use any charger other than that specifically provided for use with the equipment.** A charger that is suitable for one type of battery pack may create a risk of fire when used with another battery pack.
- k) Do not use any battery pack which is not designed for use with the equipment.**
- l) Keep battery pack out of the reach of children.**
- m) Retain the original product literature for future reference.**
- n) Dispose of properly.**

1.2 Information on the Landroid®



WARNING - Robotic lawnmower can be dangerous if incorrectly used.

Read through the Operator's manual carefully and understand the content before using your robotic lawnmower.



WARNING - Keep a safe distance from the machine when operating.



WARNING - Remove the disabling device before working on or lifting the machine.



WARNING - Do not ride on the machine.



Do not burn



Batteries may enter water cycle if disposed improperly, which can be hazardous for ecosystem. Do not dispose of waste batteries as unsorted municipal waste.



Li-Ion

Do not dispose of batteries. Return exhausted batteries to your local collection or recycling point.



Do not wash the machine with a high pressure washer



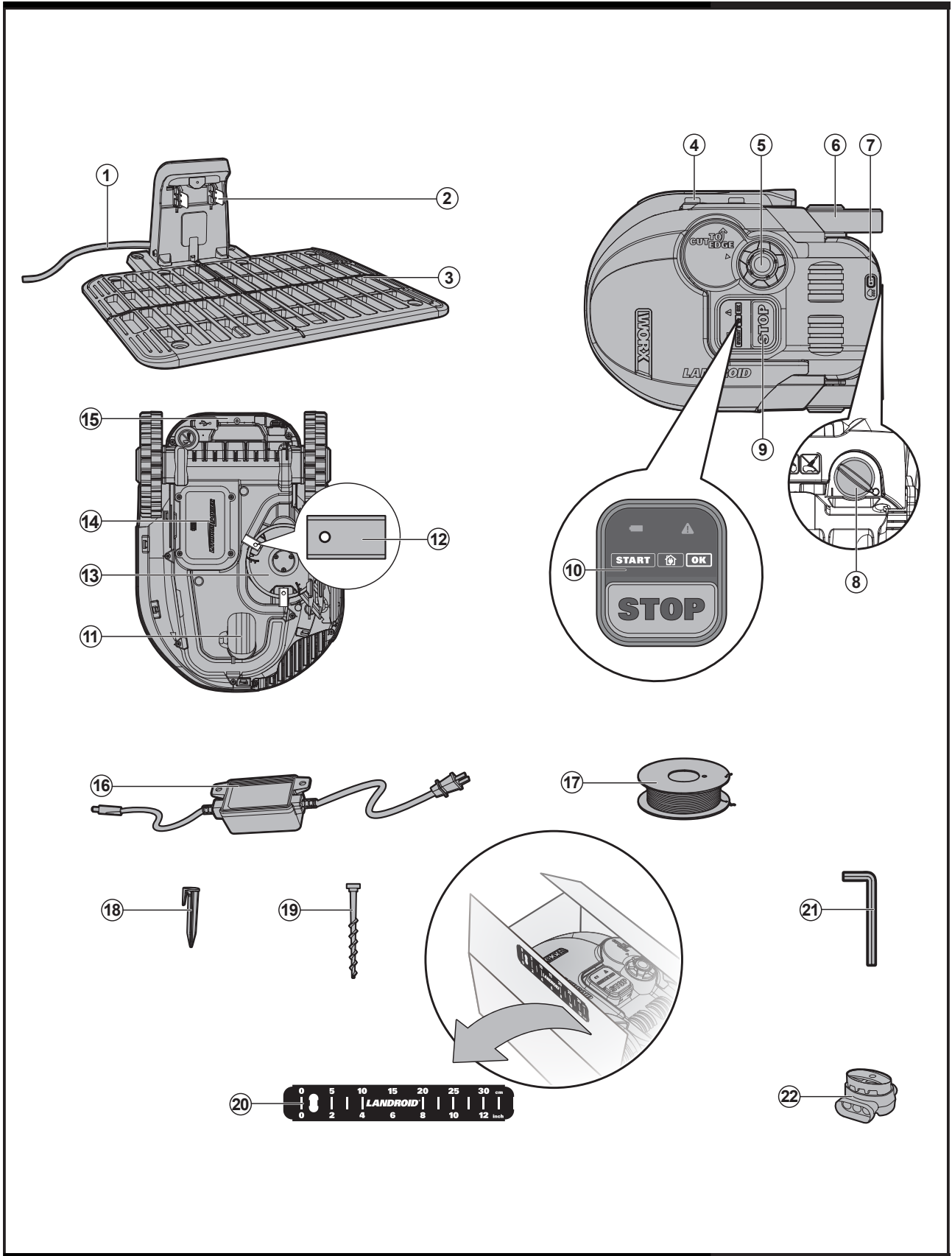
Class III appliance



Waste electrical products must not be disposed of with household waste. Please recycle where facilities exist. Check with your local authorities or retailer for recycling advice.

xINR18/65-y: Cylindrical lithium Ion battery cells with max diameter of 18mm and max height of 65mm; "x" represents a number cells serial connected, blank if 1; "-y" represents a number of cells paralleled connected, blank if 1.

2. Component List



-
- 1. LOW VOLTAGE CABLE**

 - 2. CONTACT PINS**

 - 3. CHARGING BASE**

 - 4. CHARGING STRIPS**

 - 5. CUTTING HEIGHT ADJUSTMENT KNOB**

 - 6. REAR DRIVING WHEEL**

 - 7. RAIN SENSOR**

 - 8. MAIN SWITCH**

 - 9. STOP BUTTON**

 - 10. CONTROL PANEL**

 - 11. FRONT WHEEL**

 - 12. CUTTING BLADE**

 - 13. BLADE TURNING DISC**

 - 14. BATTERY PACK**

 - 15. HANDLE**

 - 16. POWER ADAPTOR**

 - 17. BOUNDARY WIRE**

 - 18. WIRE PEGS**

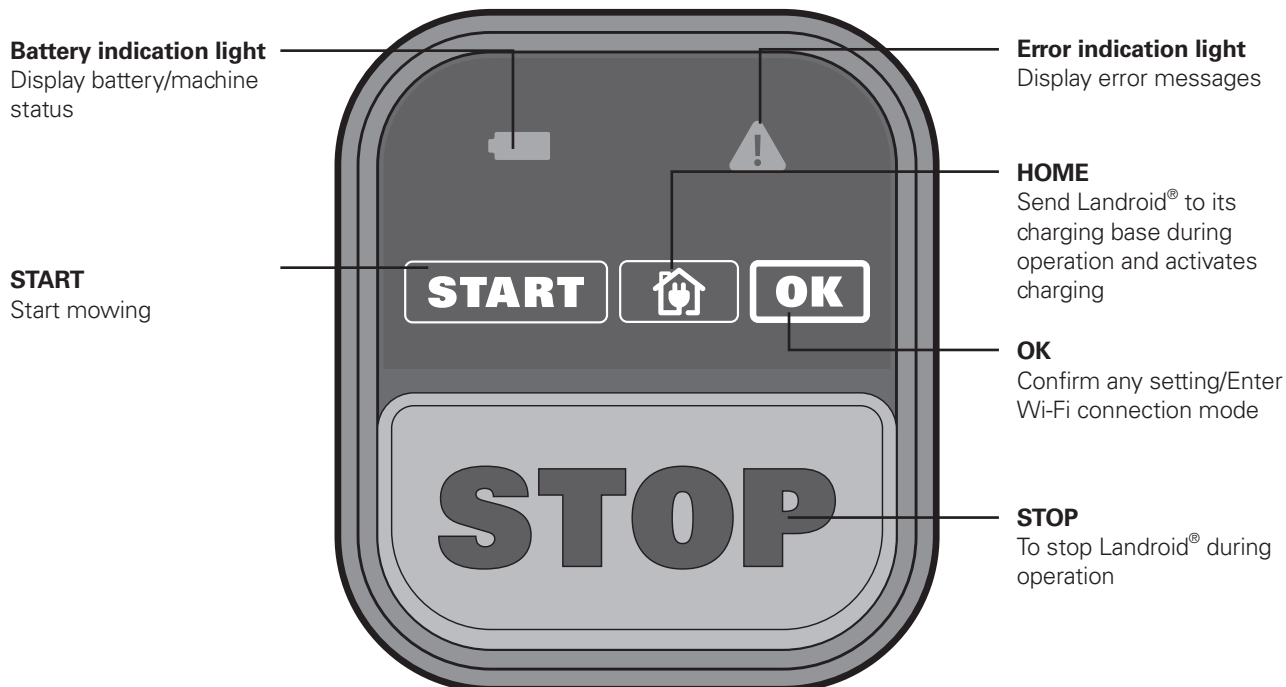
 - 19. CHARGING BASE FIXING NAILS**

 - 20. BOUNDARY WIRE DISTANCE GAUGE**

 - 21. HEX KEY**

 - 22. CONNECTOR**
-

3. Control panel



Start

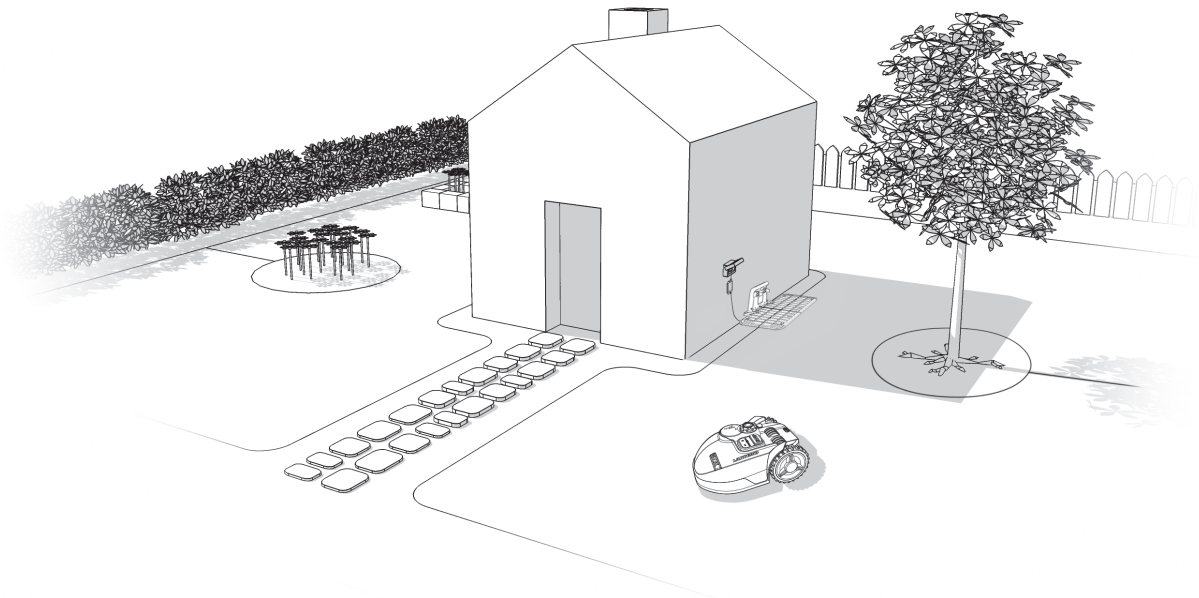
- 1) After the boundary wire installation, you can start using the Landroid® (Please refer to Installation guide for boundary wire installation).
 - 2) Turn the main switch (8) to "I" (on).
 - 3) Press **START**, then press **OK** to start mowing.
 - 4) Press **HOME** and **OK** to make Landroid® go to the charging base.
- Landroid® will work continuously until reaching low battery power level and then it will return to the charging base. Once charging is complete, Landroid® will automatically resume mowing or it will stay in the charging base according to mowing schedule.

4. Intended Use

The garden product is intended for domestic lawn mowing. It is designed to mow often, maintaining a healthier and better looking lawn than ever before. Depending on the size of your lawn, the Landroid® may be programmed to operate at any time or frequency with no restrictions (Only for specific model, please check Technical Data & Declaration of Conformity).

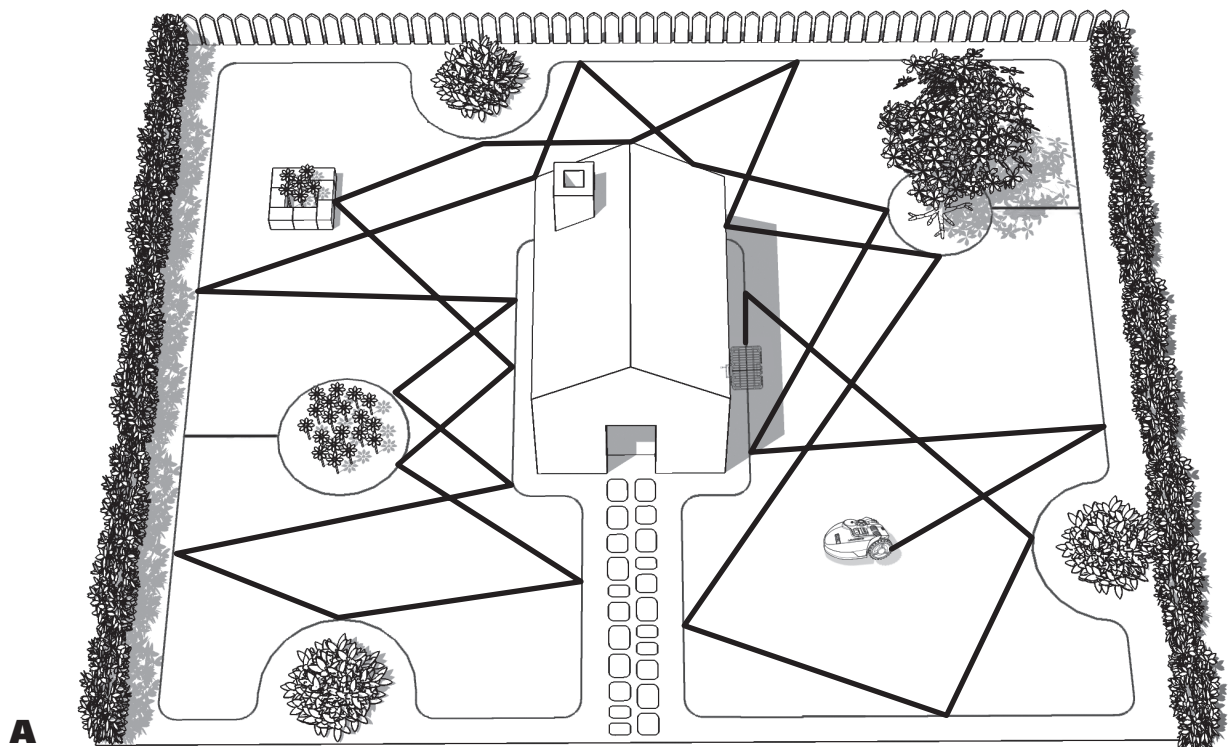
5. Understanding Your Landroid®

We would like to congratulate you on your new purchase of the Landroid® and entering into the care-free life of automatic mowing. In the following, we would like to help you better understand how your Landroid® thinks.



5.1 How does my Landroid® know what to mow?

The Landroid® chooses its direction at random. It will make sure your entire lawn is evenly mowed without leaving behind any unattractive mowing paths (See Fig. A).



5.2 How does my Landroid® know what to mow?

Your Landroid® is capable of doing things on its own. The Landroid® knows when it needs to go to its Charging Base (3) to charge, can sense when it is raining, can stop itself if it senses a problem, and knows to stop, draw back, and then turn around when it bumps into something blocking its path or other object. The Landroid® will also automatically stop its Blade Turning Disc (13) from rotating if it is lifted off the ground to prevent an accident.

A. Finding the charging base

When your Landroid® needs to recharge, it will stop mowing and follow the Boundary Wire (17) in an anti-clockwise direction back to its Charging Base. Landroid® is pre-programmed to mow the grass near the boundary wire once a week. By default, Landroid® will mow near the boundary wire at a random time during the next week after it is powered on.

If you don't want to enable boundary cut, deactivate it via your smartphone. (Only for specific model, please check Technical Data & Declaration of Conformity)

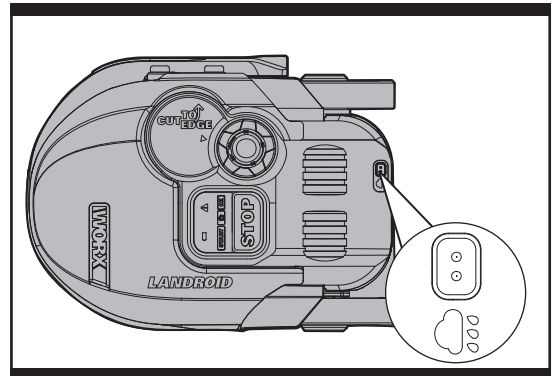
B. Rain sensors

The Landroid® is equipped with a Rain Sensor (7) which detects rain drops and tells the Landroid® to stop mowing and follow the Boundary Wire back to its Charging Base (See Fig. B).

Landroid® will come out mowing again after passing the Delay Time, The default Delay Time is 180mins and is changeable. (Delay Time setting can be changed via Landroid® Apps in your smartphone, this is only for specific models, details refer to Technical Data & Declaration of Conformity section)

When the rain sensors are wet, the Landroid® returns to its docking station. Only when the rain sensors become dry will the Landroid® begin the delay start countdown or return to mowing immediately.

NOTE: If the delay time is set to 0, Landroid® will continue mowing.



B

C. Sensing the boundary wire

The Landroid® always obeys the border set by the Boundary Wire and uses sensors at its front to sense when it is getting close (See Fig. C).

D. Starting and stopping while mowing (See Fig. D, E1, E2)

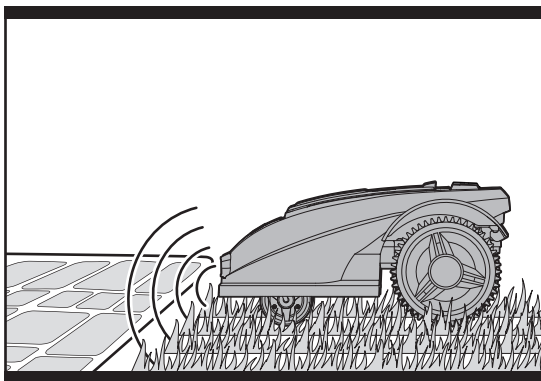
If you would like to command the Landroid® to stop mowing, then simply press the STOP button (9) on top of the mower.

To start mowing, turn the main switch to "I" (on), press **START**, then press **OK**.

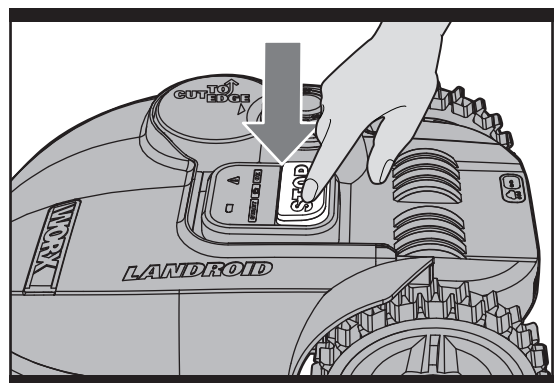
If Landroid® senses that something is wrong, it will indicate a fault message via the error indication light. And Landroid® will turn off if it does not receive any input from the user within 20 min (for information on fault messages refer to the Error Messages).

To resume:

- Turn the main switch (8) to "O" (off)
- Correct the problem (refer to Error Messages)
- Turn the main switch (8) to "I" (on)
- Press **START**, then press **OK**
- Now the Landroid® will begin to mow!



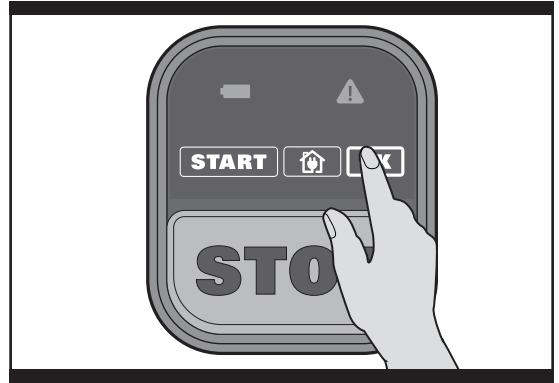
C



D



E1



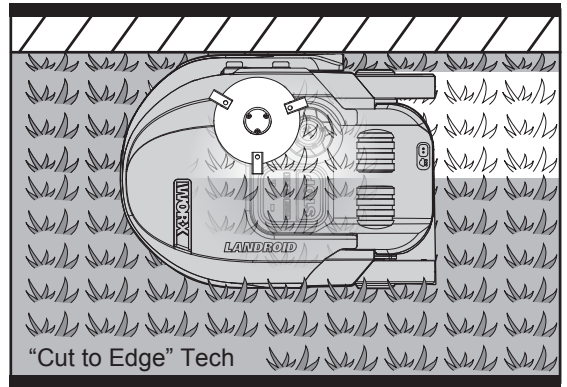
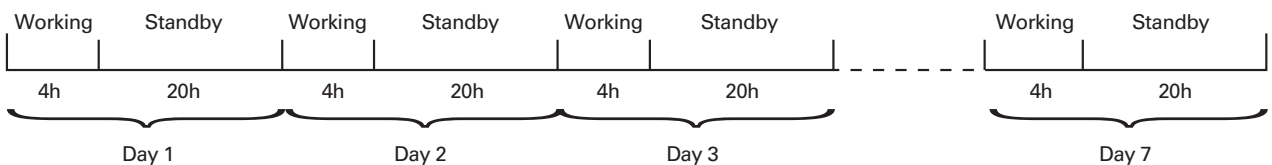
E2

5.3 Cut to edge

Off-centered Blade Turning Disc (13) design, it provides a clean cut with narrowest distance to the boundary or wall, it helps to minimize the amount and frequency of manual trimming along the uncut area. Additionally, the design with an underneath protective cover keeps any object away from touching the turning blades in case of injury. (See Fig. F)

5.4 Working time

The default daily working schedule is set for the first 4 hours for working (mowing and charging included) and next 20 hours for standby on the charging base, see below. The working schedule can be re-set by using mobile apps (Only for specific model, please check Technical Data & Declaration of Conformity), for downloading the app, please refer to section APP. Or you can re-set the working schedule by removing and then installing the battery (please refer to Replacing the battery).



F

5.5 How efficiently will my Landroid® mow the grass?

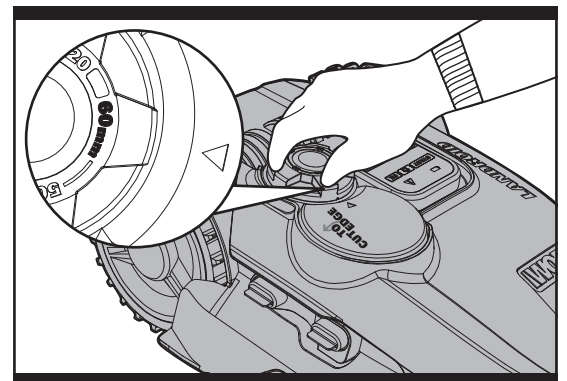
Mowing times are different for every lawn depending on the factors mentioned below. Gradually adjust the time you allow your Landroid® to mow each day until you find the most suitable setting.

Your Landroid® is capable of mowing areas of different sizes, although this depends on various factors, such as:

- Species of grass in your lawn and its growth rate
- Sharpness of the Cutting Blades (12)
- Humidity
- Surrounding temperature
- Amount of obstacles in your Lawn

Unlike the most other mowers, Landroid® uses side charging system, which is able to cut the much surrounding grass as possible. Additionally, the holes on the bottom of the charging base allow the grass growing through which makes elegant appearance.

The Landroid®'s cutting height can be adjusted between 2cm-6cm. Before starting your Landroid® for the first time, you should cut the grass to the height no more than 9 cm. Then make sure you set the cutting height to its maximum cutting height of 6cm (See Fig. G).



G

Your Landroid® will cut its best in dry weather. It does not like wet grass, which can build up on the Blade Turning Disc (13) and within the motor, and can also cause loose traction and slippage while working.

Your Landroid® is afraid of Lightning Storms. In case of a Lightning Storm, protect the Landroid® by unplugging the Charging Base (3), disconnecting the Boundary Wire (17), and making sure the Landroid® is not allowed to charge.

Your Landroid® loves mowing grass and requires the Cutting Blades (12) to be kept in good condition to cut at its best. The Landroid® can do most things by itself, but will need your help sometimes to prevent damage to itself.

- Never let the Landroid® travel over gravel.
- Remove or prevent access to obstacles that the Landroid® could accidentally climb on and damage its Blade Turning Disc.
- Remove all debris and foreign objects from your lawn.

6. APP (Only for specific model, please check Technical Data & Declaration of Conformity)

Your Landroid® is able to connect with smart phone. All the general settings can be changed via the Landroid® App in your smartphone, also the APP can show the machine status and error messages.

To connect smart phone to your Landroid®:

Step 1: To download the Landroid® APP, use your smartphone to scan the QR code below or download it from Playstore (google-android), AppleStore (Apple-ios) or our website www.worxlandroid.com.

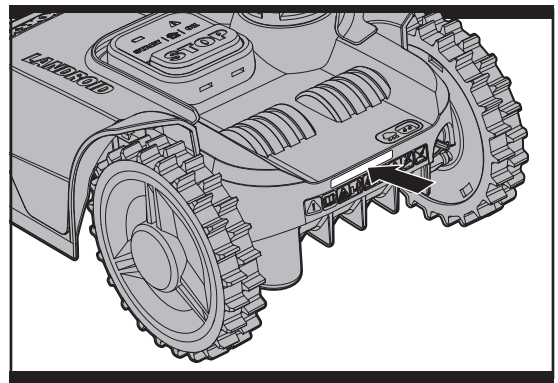
Step 2: Enter the Landroid® APP, and then follow the instructions to connect Wi-Fi.

*The Serial No. can be found at the rear of Landroid® as shown in Fig. H.

NOTE: 1. If your Wi-Fi information has been changed, Landroid® needs to be re-set according to Step 1 to 2.

2. When Landroid® is located at low or no Wi-Fi signal area, the instant instruction sending from mobile APP may not be executed immediately. However, the instruction will be executed after the Landroid® returns back to good signal area.

3. For stable signal connection, it is recommended to install Wi-Fi extender at the weak or no Wi-Fi signal areas.



H

7. Boundary Wire Basics

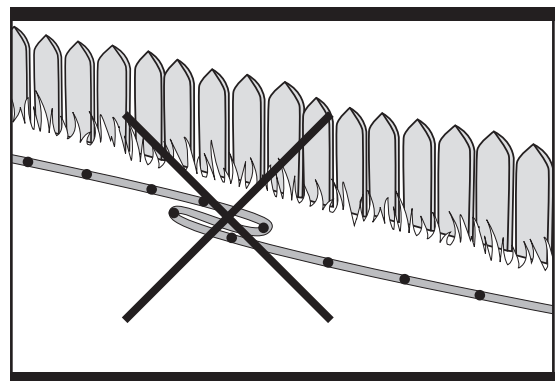
7.1 Pegging the Boundary Wire

Use the Boundary Wire Distance Gauge (20) to set the correct distance from the border of your lawn (more than 26 cm*).

* This is the recommended distance. Use the provided distance gauge to ensure proper installation.

If your neighbor also uses a Landroid®, then you must keep a spacing of at least 0.5 metres between your Boundary Wire and your neighbors.

The Boundary Wire must outline the intended mowing area exactly. Your Landroid® will become confused by extra bends or coils of Boundary Wire that are not part of its mowing area (See Fig. I). If there is excess Boundary Wire after the mowing area has been outlined, then cut it off and store this additional wire in a separate location. However, it is important to leave the necessary length where it connects to the Charging Base so it can be connected and still remain buried.



I

7.2 Burying the Boundary Wire

If you are planning to bury the Boundary Wire then it should be noted that when entering its Charging Base for the first time, your Landroid® may find problems with the way you have laid the wire. It is recommended to first peg down the Boundary Wire to the lawn so it is easy to make adjustments if necessary. This will allow the Landroid® to become adjusted to its new environment and ensures it will successfully work with the Charging Base before the Boundary Wire is buried.

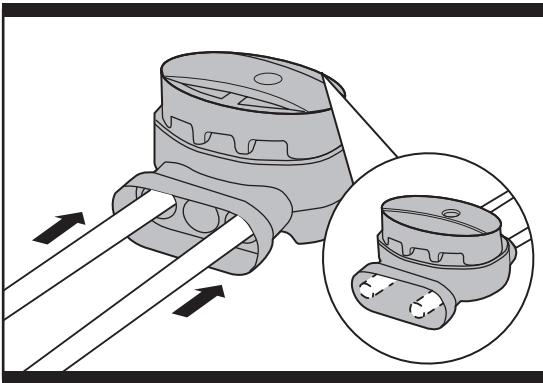
When you have completed installing the boundary wire, it is recommended that you ask Landroid® to follow the boundary wire by pressing **⏪** and **OK**.

Whilst observing Landroid® locating the charging station you can then make alterations to the boundary wire route to ensure trouble free tracking of the boundary wire by Landroid® when locating the charging station.

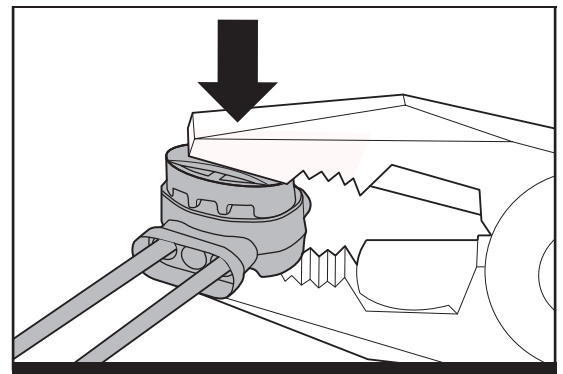
7.3 Joining the boundary wire

If you want to extend and splice the boundary wire, use a connector. The connector is waterproof and provides optimal connection.

Insert both wire ends in any two of the three holes of the connector. Insert the wires fully until both wire ends are visible on the other side of the connector. (See Fig. J1) Press the connector together by using a gripper. (See Fig. J2, J3)

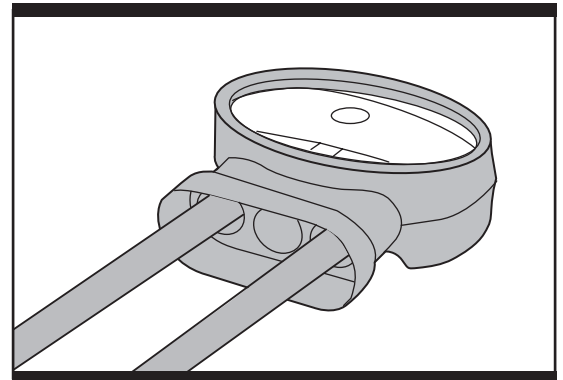


J1



J2

⚠ WARNING! It is not recommended to simply splice the boundary wire with insulating tape or use a screw terminal block for connection. A broken circuit may occur after a period of time as soil moisture can oxidize the wire.



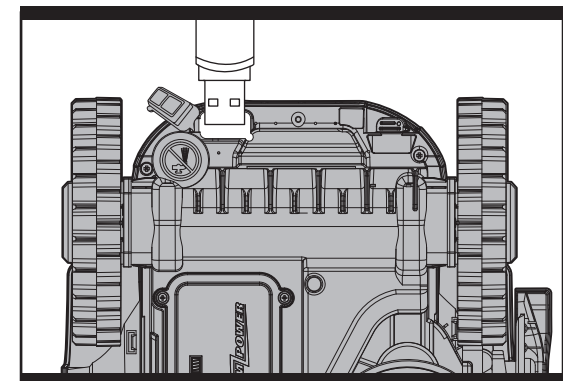
J3

8. Software update

The software can be updated when new versions become available. The latest software can be downloaded from our website www.worxlandroid.com. There are two methods to update software.

Method 1: Update via USB. See below for download and installation instructions:

- (1) Locate the latest software version at: www.worxlandroid.com. Save the file to an empty FAT32 formatted USB (flash drive). Delete any other files on the drive and check the format. If the drive is not formatted in FAT32, please reformat the drive.
NOTE: the software update is downloaded as a zipped file. You will need to unzip or extract it before proceeding.
- (2) Place Landroid® on a secure and level surface. Turn the Main Switch to the "O" position to turn off your Landroid®.
- (3) Lift the rear of the Landroid® to access the underside.
- (4) Open the protective rubber cover under the Landroid® to access the USB port.
- (5) Insert the USB drive (flash drive) in the port. (See Fig. K)
- (6) Place the Landroid® on the ground again.



K

- (7) Turn the Main Switch to the "I" position to turn on the Landroid®.
- (8) The battery indication light will start to pulse. When the error indication light flashes blue, the file has been copied. It may take up to five minutes to complete.
- (9) Without lifting the Landroid®, remove the USB drive (flash drive).
- (10) The update will begin automatically and may take several minutes. The final alert sequence will include a beep, and both the battery indication light and error indication light will flash. When the error indication light turns off and only the green battery indication light remains lit, the update is complete.
NOTE: If the Landroid® is not inside the boundary wire, the error indication light will flash RED after the update. Please refer to the manual for more information.
- (11) Be sure to tightly and completely close the rubber protective USB port cover.

Method 2: Update via your smartphone. (Only for specific model, please check Technical Data & Declaration of Conformity)

If your Landroid® is connected to your smartphone, you can check the software version on your smartphone. Also, it will notify you when new software version is available.

The manual in box is based on the default software in the mass production. Some new features/functions in the new version may not exist in the manual. If you found some settings not in the manual, please visit www.worxlandroid.com to download the latest manual.

9. Maintenance

Switch off the machine before carrying out any servicing or maintenance. Your Landroid® needs to be checked from time to time. The Landroid® works hard and after time needs a good cleaning as well as having some parts replaced, as they can become worn. Never use your Landroid® with defective main switch.

In the following we want to let you know how to take care of your Landroid®.

9.1 Keep it sharp

WARNING: Before cleaning, adjusting, or replacing the Blades, turn your Landroid® OFF and put on protective gloves.

WARNING: When fitting new blades, make sure you replace ALL the blades. Always use new screws when fitting blades. This is important to ensure blade retention. Failure to use new screws could cause serious injury.

The Landroid® does not cut grass like other mowers. Its Cutting Blades (12) are razor sharp on 2 edges and rotate in both directions for maximum cutting capacity (See Fig. L). Each blade of your Landroid® has 2 cutting edges. The Blade Turning Disc will make forward and reverse rotation at random to use both cutting edges.

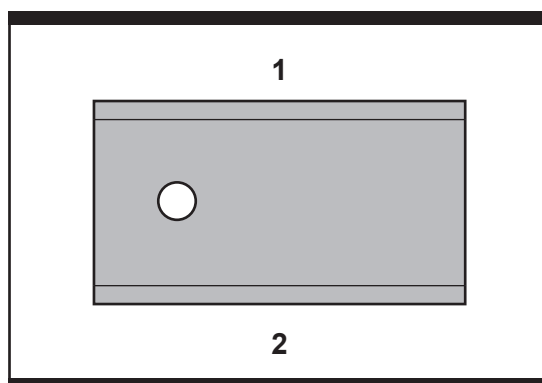
Thus helps to minimize the frequency of replacing the cutting blade. Each cutting blade will last up to 2 months when it is programmed to mow everyday. Always check to see if the Blades are chipped or damaged and replace them if they are. When the cutting blades are dull and worn out, they should be replaced with the spare blades provided with your Landroid®. Spare blades are also available at your nearest WORX retailer.

A. Replace the Blades

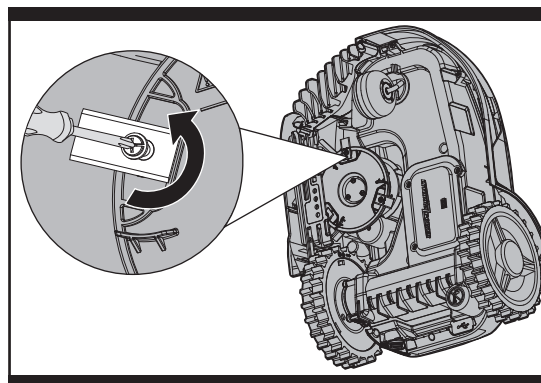
After some time, usually every season, your Landroid®'s Blades will need to be replaced. Your Landroid® does not like mowing while using Blades of different age and quality. So when replacing the Blades, make sure to replace all of them at the same time. You can replace them with one of the spare Blade kits and extra Blade screws supplied with your Landroid®.

Before attempting to replace your Landroid's Blades, turn the power off and put on protective gloves. Then follow these steps:

1. Gently flip the Landroid® over.



L



M

2. Remove the battery cover and remove the battery.
3. Take the screws off the Blades with a screwdriver (See Fig. M)
4. Firmly screw on the new Blades.
5. Refit the battery and the battery cover.

IMPORTANT: After screwing the Blade to the Blade Disc, make sure the Blade is able to spin freely.

9.2 Keep it clean

! WARNING: Before cleaning turn your Landroid® OFF. Put on protective gloves before cleaning the Blade Turning Disc (13) and do not use running water.

A. Cleaning the body

Your Landroid® will live a much happier and longer life if it is cleaned regularly. Although, as your Landroid® is an electric machine, you will need to take care when cleaning, so **DO NOT use a hose, high pressure washers or otherwise pour running water on your Landroid®**, it is best to use a spray bottle filled with water. When cleaning the machine body use a soft brush or clean cloth and avoid using solvents or polishes (See Fig. N). Lastly, make sure that you remove all build up of grass clippings and debris.

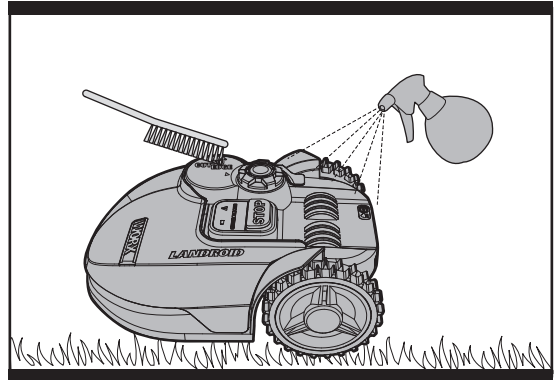
B. Cleaning the Underside

Again, it is important that you power the Landroid® OFF and wear protective gloves before touching the Blade Turning Disc (13).

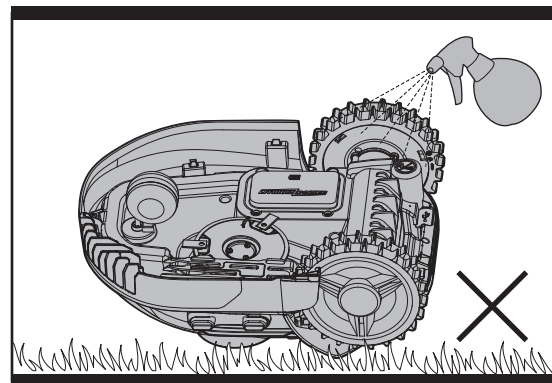
First, flip your Landroid® upside down to expose its underside. Here you will see the Blade Disc, the chassis, and the Front Wheel (11) and Driving Wheel (10). Clean everything thoroughly with a soft brush or moist rag.

! WARNING: NEVER clean the underside of Landroid® with water flushing. Component damage can occur. (See Fig. O1, O2)

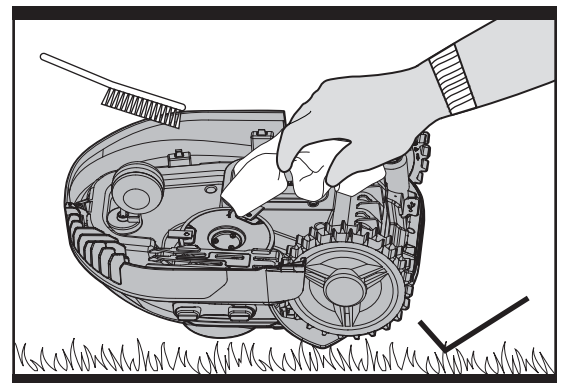
Rotate the Blade Disc to ensure it rotates freely. Check the blades spin freely around the fixing screws. Remove any obstructions.



N



O1



O2

IMPORTANT: Remove any lodged debris so that it does not cause a crack in the Blade Disc. Even the tiniest crack can decrease your Landroid®'s mowing output.

C. Clean the contact pins and the charging strips

Clean the Contact Pins (2) located on the Charging Base (3) and the Charging Strips (4) located on the Landroid® using a cloth. Remove any build up of grass clippings and debris around the Contact Pins and charge strips periodically to ensure the Landroid® successfully charges each time.

9.3 Battery life

The heart of the Landroid® is its 20-volt lithium-ion battery. No maintenance is required. For proper storage of the battery, make sure it is fully charged in kept in a cool dry place between (20°C - 60°C).

The life-span of the Landroid®'s battery depends on various factors, such as:

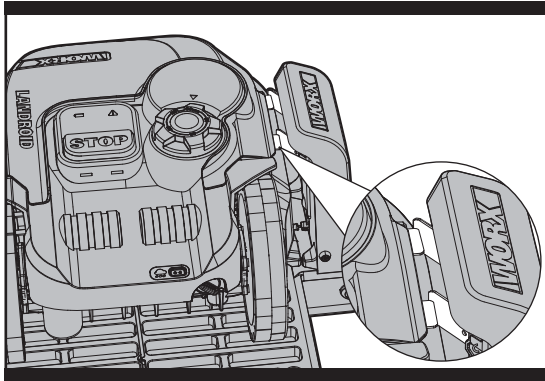
- The time span of the mowing season in your region
- Amount of hours the Landroid® mows per day

- Battery maintenance during storage

Landroid® can be charged manually without the boundary wire.

To manually charge the battery without connecting the boundary wire to the Charging Base;

- 1. Connect the Charging Base to a suitable power supply. The Charging Base green light will turn on.**
- 2. Manually dock the Landroid® into the Charging Base while the Landroid® is powered off. (See Fig. P1)**
- 3. The Charging Base green light will turn to red, and the battery indication light will flash green. (See Fig. P2) Landroid® will begin to charge.**



P1



P2

9.4 Winter hibernation

Your Landroid® will live longer and healthier if it is allowed to hibernate. So even though it is tough, we would recommend that you store your Landroid® in your shed or garage during the winter.

Before you prepare your Landroid® for winter hibernation, we recommend you:

- Thoroughly clean your Landroid®
- Fully charge the battery
- Turn the power off

To maximize the battery life, it is recommended to fully charge the battery before storage during winter.

! WARNING: Protect the underside of Landroid® from water. NEVER store Landroid® upside down outdoors in case of water inflowing.

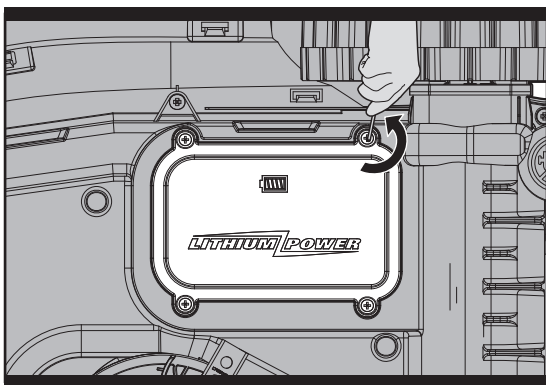
The Boundary Wire can be left in the ground although its ends should be protected, such as placed in a tin can with grease. If the Charging Base is left outside for winter, leave the Boundary Wire connected.

NOTE: When bringing the Landroid® back to work after winter hibernation, make sure the Charging Strips (4) and Contact Pins (2) are clean, it is recommended to use a fine grade emery cloth to clean. Then make sure the date and time are correct and send the Landroid® back to what it loves doing: mowing.

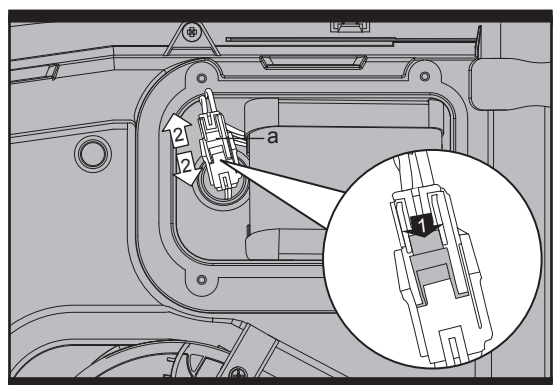
9.5 Replacing the battery

! WARNING: Turn power off before attempting any adjustment, replacement or repair.

If you need to replace the Battery, follow these steps:

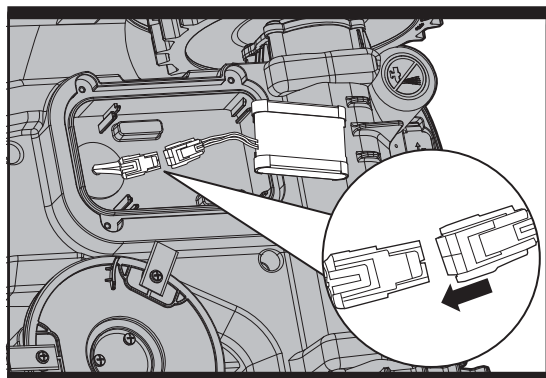


Q1

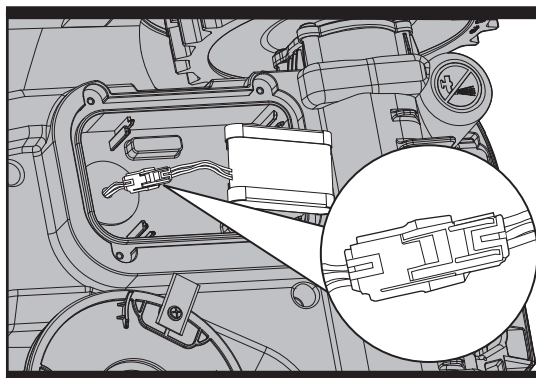


Q2

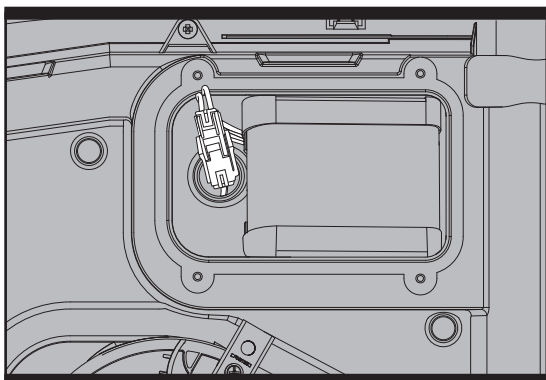
1. Gently turn your Landroid® upside down.
2. Remove the screws on the battery cover. Remove the battery cover. (See Fig. Q1)
3. Lift out the old battery carefully. Press the latch (a) and release the connectors. (See Fig. Q2)
NOTE: Do not pull by the cables. Hold the connectors and release the latch (a).
4. Connect a new original battery by attaching the connectors together until it clicks into position. (See Fig. Q3, Q4)
5. Fit the battery as shown. (See Fig. Q5) Place the cover back in its position and firmly fit the screws.



Q3








Q4



Q5

10. Function Messages





The battery indication light on the interface of Landroid® indicates the following status:

Battery indication light	Status
 Green light on	Sufficient power for mowing
 Red light on	Low power, need to recharge
 Green light flashing	Charging
 Green light breathing flashing	Standby, waiting for next working schedule.
 Red light flashing	Battery too hot. Wait until the battery cools down.


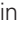
11. Security

If Landroid® is connected to your smartphone (Only for specific model, please check Technical Data & Declaration of Conformity), you can lock it on your smartphone. This prevents unauthorised people from being able to use it.

12. Error Messages

Symptom	Cause	Action
 Red light on	Landroid® is trapped.	<ol style="list-style-type: none"> 1. Turn power off by turning the main switch (8) to "O" (off); 2. Take Landroid® to a lawn area free from obstacles; 3. Turn power on by turning the main switch (8) to "I" (on). 4. If the error message is still displayed; turn power off; turn Landroid® upside-down. Check if there's any debris causing a blockage in the top cover or check if there is anything preventing the wheels from rotating. 5. Remove any possible obstruction, turn the Landroid® upright, turn power on.
 Red light flashing	Landroid® is outside working area.	<ol style="list-style-type: none"> 1. If Landroid® is actually outside its territory: turn power off by turning the main switch (8) to "O" (off), take Landroid® inside its territory. Turn power on by turning the main switch (8) to "I" (on). 2. If the Landroid® is inside its territory, check the LED on the Charging Base is green. If not, check the Charging Base is connected properly to the charger and the charger is connected to a suitable power supply. If so, it means that the boundary wire ends are clamped incorrectly, and you need to reverse them. 3. If the LED light flashes green, check the boundary wire is well connected to the clamps to the Charging Base. If the problem persists, check that the boundary wire hasn't been cut.
 Blue light on	Wheel motor blocked	<ol style="list-style-type: none"> 1. Turn power off by turning the main switch (8) to "O" (off); take Landroid® in an area free from obstacles; 2. Turn power on by turning the main switch (8) to "I" (on). 3. If the error message is still displayed; turn power off; turn Landroid® upside-down and check if there's anything preventing the wheels from rotating. 4. Remove any possible obstruction, turn Landroid® upright, turn power on.
	Blade disc blocked	<ol style="list-style-type: none"> 1. Turn power off by turning the main switch (8) to "O" (off); 2. Turn Landroid® upside down and check if there's anything preventing the blade disc to rotate. 3. Remove any possible obstruction. 4. Turn Landroid® upright and take it to an area with short grass or adjust the cutting height; 5. Turn power on by turning the main switch (8) to "I" (on).
 Blue light flashing	Landroid® is lifted up.	<ol style="list-style-type: none"> 1. Turn power off by turning the main switch (8) to "O" (off). 2. Take Landroid® to a lawn area clear of obstacles, turn power on by turning the main switch (8) to "I" (on). 3. If the error message is still displayed: turn power off, turn Landroid® upside-down and check there's nothing lifted up. 4. Remove any possible object, turn Landroid® upright, turn power on.
	Landroid® is upside down.	Turn Landroid® upright.

NOTES

- Before turning power on, always check Landroid® is inside its territory. If not, the error indication light will flash red. This message is displayed also when Landroid® is sitting over the boundary wire when turned on.
- If for any reason—i.e. a party, children playing...—you want to park your Landroid® in the Charging Base: press  and **OK**. Landroid® will go to its charging base and stay there. Please note Landroid® will now wait until the next scheduled mowing session. If you want to re-start it, press STOP Button (9), then press **START** and **OK** to start mowing.
- If an error repeatedly occurs in the same area of your lawn, you might have a problem with the boundary wire so please refer to the previous installation instructions and check your set up with its help.
- If your lawn is divided in two separated areas, connected by a corridor less than 1m, one of which is not provided with the Charging Base: when Landroid® runs out of charge, take it manually to the Charging Base, turn power on by turning the main switch (8) to "I" (on), press  and **OK**, the charge process will start.
- If Landroid® runs abnormally once in a while, please try to restart it. If the problem cannot be solved, please contact WORX Service Agent for help.
- Do not wash the machine with a high pressure washer. This could cause damage to the battery or the machine.



13. Fault symptoms

If your Landroid® does not work correctly, follow the trouble shooting guide below. If the fault persists, contact your Dealer.

Symptom	Cause	Action
Landroid® turns on, but the Blade Disc does not move.	Landroid® is searching for the Charging Base (except that you press the HOME button to make it go to the charging base, or the "Enable boundary cut" function is operating).	This is normal, Landroid® needs to recharge, the Blade Disc does not rotate while it is searching for the Charging Base automatically.
Landroid® vibrates.	Blades may be damaged. Check condition of the Blade Disc.	Check the Blades, and replace them if damaged. Remove debris and foreign objects from the blades and blade disc.
Grass is being cut unevenly.	Landroid® does not work enough hours per day.	Add more hours to the mowing time.
	Mowing area is too big.	Try decreasing the size of the mowing area or adding more hours to the mowing time.
	Blades are dull.	Change all the Blades and screws in order to balance the Blade Disc.
	The cutting height is set too low for the length of the grass.	Raise the cutting height and then gradually lower.
	Grass or other object has wrapped around the blade disc.	Check the Blade Disc and remove the grass or other object.
The LED light on the Charging Station does not turn on.	There is no power.	Check the power cord is connected properly to the charger and the charger is connected to a suitable power supply.
	The Boundary Wire isn't connected.	Check that the Boundary Wire has been connected correctly to the charging base. Check there are no breaks in the boundary wire.
Your Landroid® is inside its territory and the boundary wire is connected. The error indication light flashes red.	The boundary wire ends are clamped incorrectly.	Reverse the boundary wire ends.
The charging time is far more than 2h.	Poor connection caused by debris on the Charging Strip.	Clean the Contact Pins located on the Charging Base and the Charging Strip on Landroid® using a cloth.
	The charging protection program has activated due to high temperature.	Place the charging base in a shady area or wait until the temperature has cooled down.
The mower does not charge.	There is no power.	Check the power cord is connected properly to the charger and the charger is connected to a suitable power supply.
	Does not operate correctly while manually charging.	Refer to manual charging.
Landroid® is starting to have shorter run-times between charges.	Something is clogged in the Blade Disc.	Take off the Blade Disc and clean it. The grass is too high and too thick.
	Landroid® is shaking heavily.	Check the blade disc and blades, remove debris and foreign objects from the blades and blade disc.
	The battery may be exhausted or old.	Replace battery.

Landroid® is not operating at the correct time.	The clock is not set to the correct time.	Set the clock to the correct time.
	Programmed cutting times for Landroid® are not correct.	Change the time settings for the mower to start and stop.
Landroid® cannot correctly dock with the Charging Base	Environmental influences	Restart Landroid®.
	Poor connection caused by debris on the Charging Strip.	Clean the Contact Pins located on the Charging Base and the Charging Strip on Landroid® using a cloth.
The Green light on the Charging Base turns ON before charging is complete.	The charging base is overheating, the battery indication light flashes red.	Place the charging base in a shady area or wait until the temperature has cooled down.
Landroid® runs outside the boundary wire. Landroid® does not mow an area within a boundary wire zone. Landroid® reverses or rotates erratically near the boundary wire.	The boundary wire of another Landroid® or another branded robotic mower is positioned too closely.	Ensure your Landroid® Boundary Wire has at least 0.5m of spacing between the neighboring boundary wire.
	The boundary wire has been installed with tight corners.	Check the boundary wire to ensure the corners are smooth.
	In wet conditions, the boundary wire electric signal may leak were wire has been joined or repaired.	Check boundary wire joints. Insulate to provide a fully waterproof connection.
	There is boundary wire electric signal leakage due to broken insulation.	Repair damaged boundary wire insulation with connectors.
	The cutting area is larger than the allowable cutting area for Landroid®.	Contact service agent.
Landroid® wheels skid or damage lawn.	Foreign obstacles, such as twigs and branches may be lodged under Landroid®.	Remove foreign objects from underside of Landroid®.
	The lawn is too wet.	Wait until lawn has dried.
Landroid® exits the boundary wire due to high speed when going down a hill.	The Boundary Wire is placed on a slope steeper than 17% (10°).	Reposition the Boundary Wire away from slopes that are steeper than 17% (10°). Please refer installation manual for details.

Environmental Protection

-  Waste electrical products should not be disposed of with household waste. Please recycle where facilities exist.
-  Check with your Local Authority or retailer for recycling advice.