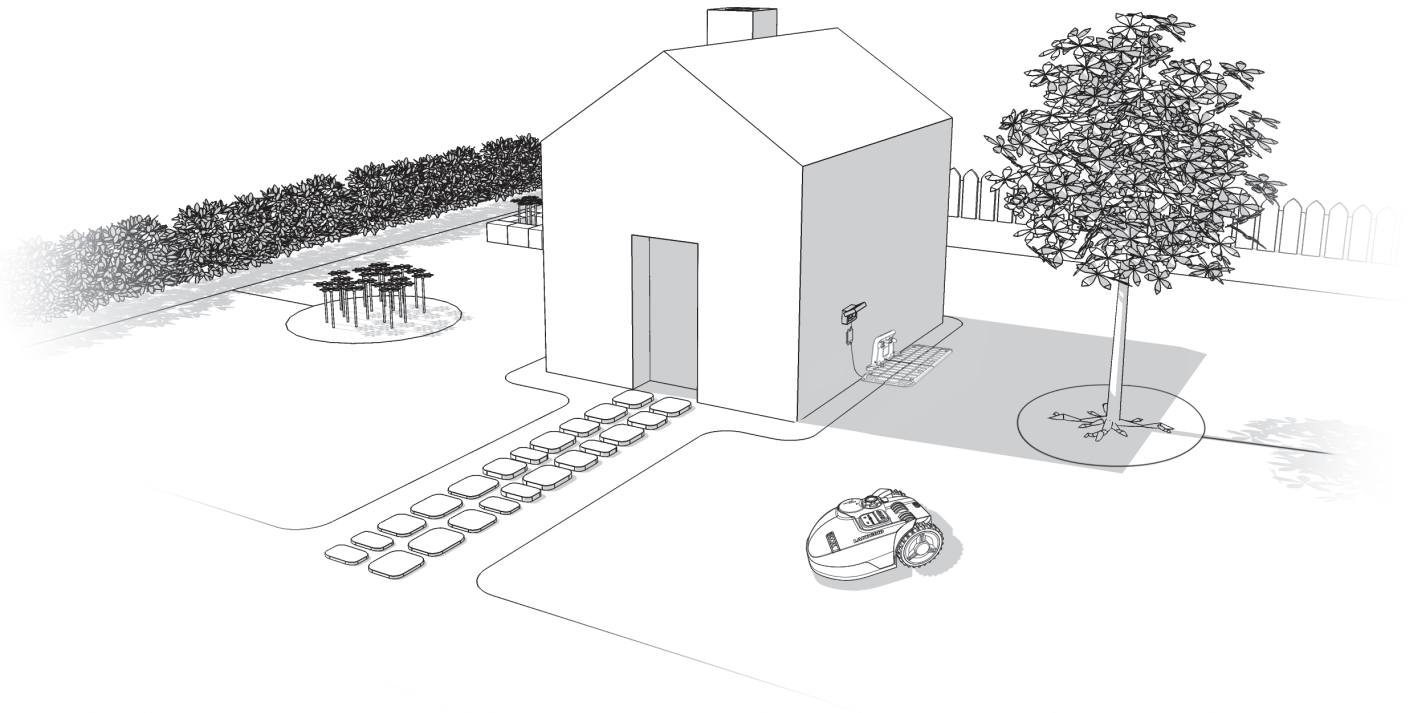




LANDROID[®]
UNMANNED
MOWING
VEHICLE

**INSTALLATION OF
LAWN MOWING ROBOT →**



How to install your Landroid®

4

The installation of the Landroid® is easy. The entire process only takes a little time, depending on the size of your garden. If you are like us, you hate wasting time to mow your lawn. The Landroid® will prove to be a great investment, providing you with years of lawn care.

You can watch the installation demo video at www.worxlandroid.com.

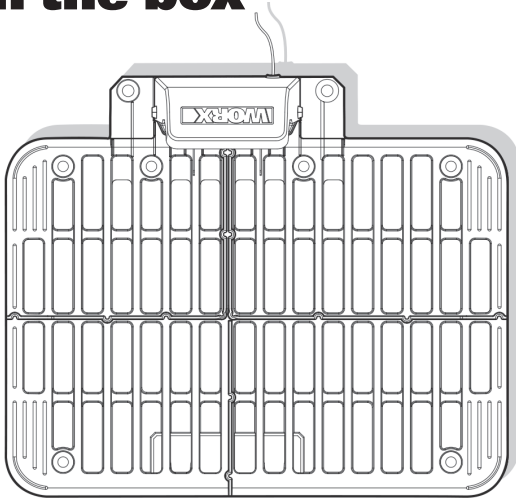
The Landroid® loves to mow

Landroid® is designed to mow often, maintaining a healthier and better looking lawn than ever before. Depending on the size of your lawn, Landroid® may be programmed to operate at any time or frequency with no restrictions. It is here to work for you.

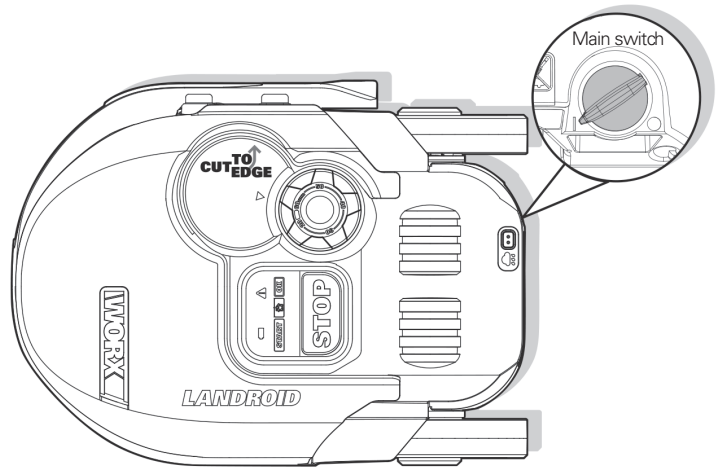
Preparation

Before starting the installation, read through this entire Installation Guide carefully. Sketch the working area, including all obstacles, to make it easier to see the ideal positions for the charging base and where the boundary wires should be routed.

In the box



Charging base



Landroid®



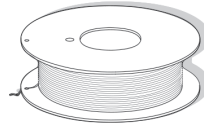
Base fixing nails



Hex key



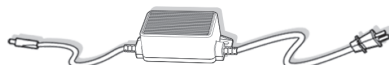
Spare blades



Boundary wire reel



Wire pegs



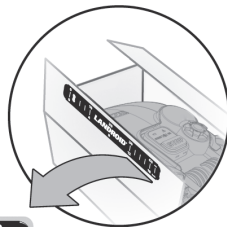
Power Adaptor



Connector



Installation of Lawn Mowing Robot



Distance gauge



Owner's Manual of Lawn Mowing Robot



Warranty statement

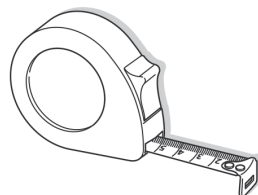
From your shed



Scissors



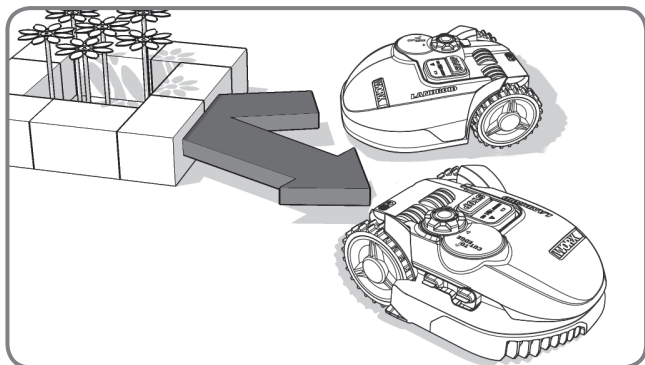
Hammer



Tape

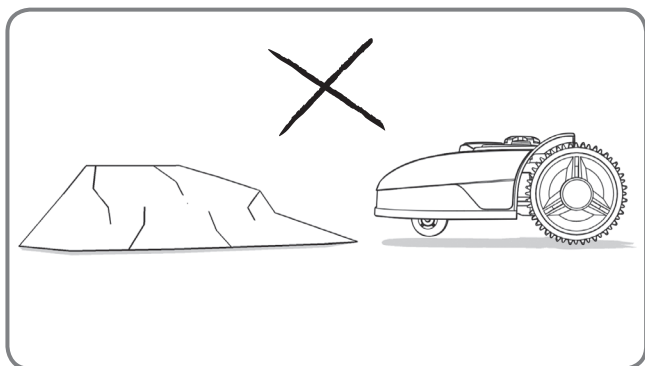
Landroid®'s new home—your garden

Let's start by having a closer look at Landroid®'s new home — your lawn — highlighting the areas where it can safely go and areas Landroid® should avoid.



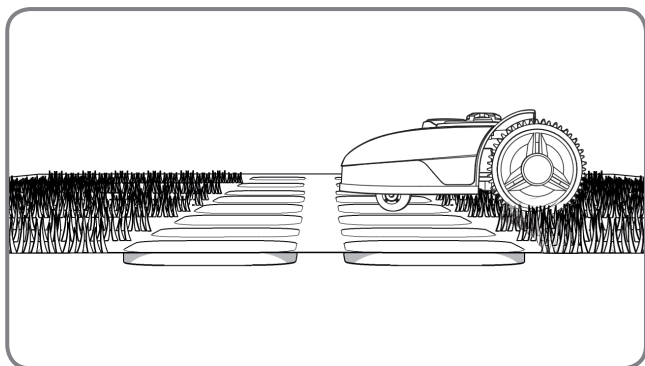
Obstacles that can be hit

When hitting any obstacle that's rigid, stable and taller than 10cm—such as a wall or a fence Landroid® will simply stop and re-direct away from the obstacle.



Stones

Stones too heavy to be moved by your Landroid® can be safely hit. However, if any stone has an inclined surface that your Landroid® can climb, it should be removed or excluded from the working area.

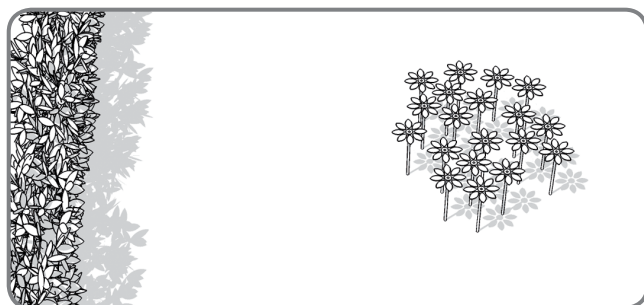
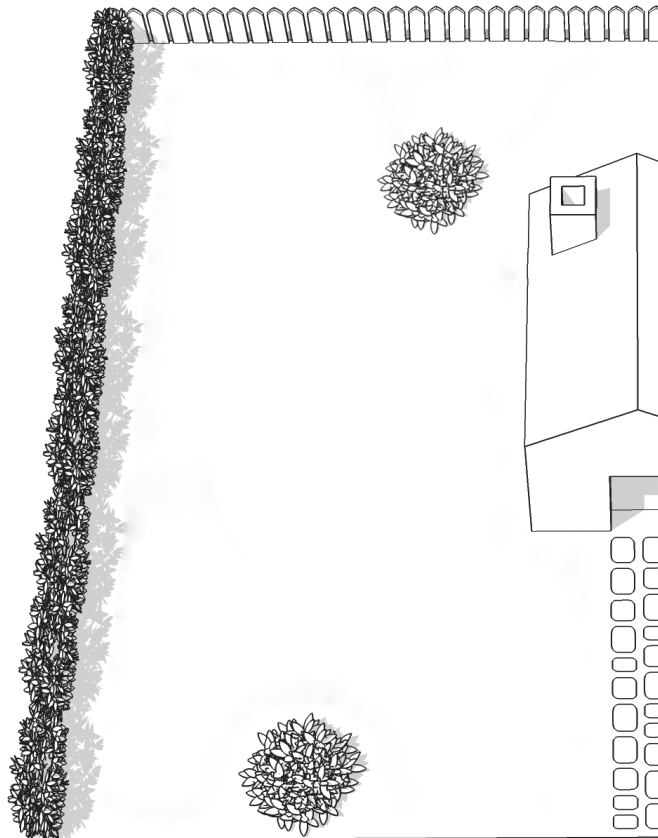


Driveways

If your driveway is level with your lawn, without any protruding surface, Landroid® can freely run over it. If you'd like Landroid® to avoid it, place the boundary wire 10cm* away from it.

If it's covered with gravel, you should not allow Landroid® to travel over it. Using the distance gauge for spacing, keep a 26cm* space between the boundary wire and the driveway.

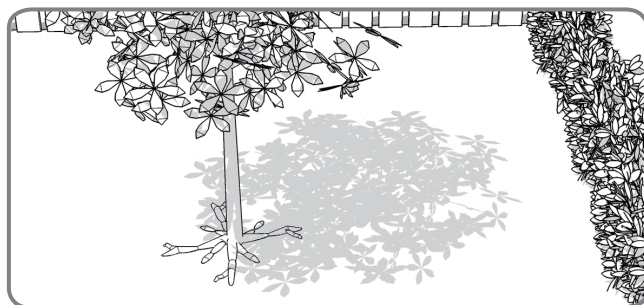
*This is the recommended distance. The provided distance gauge ensures proper installation.



Flowerbeds, ponds, pools...

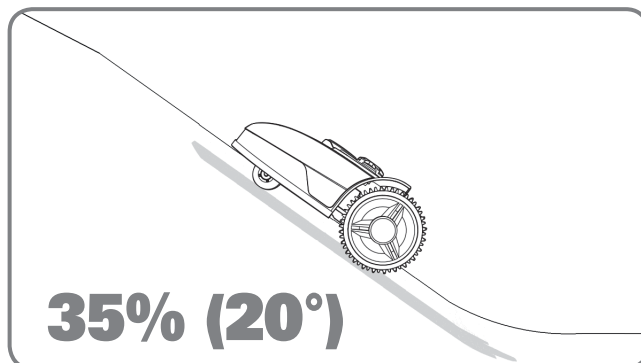
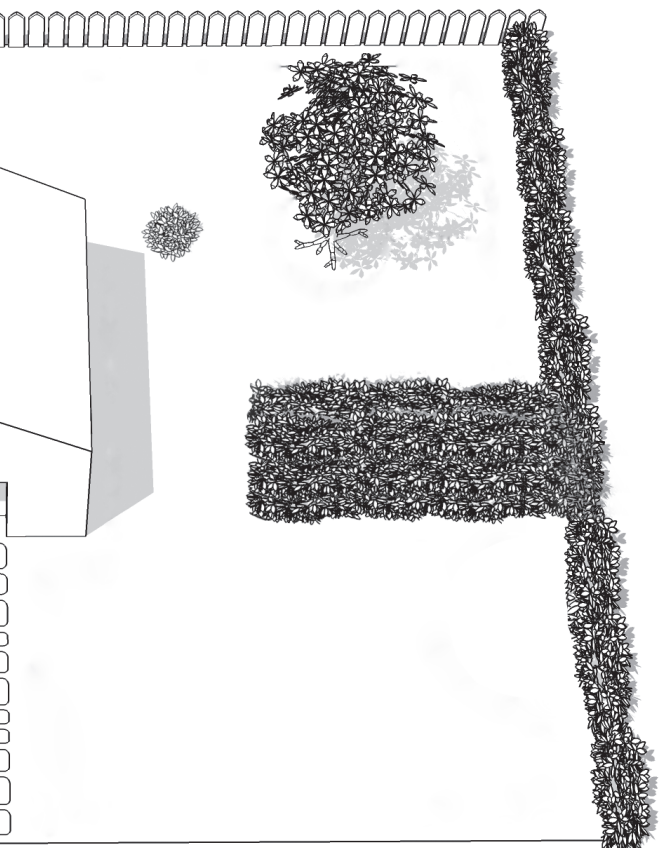
You certainly don't want Landroid® to mow your flowers, or fall into the water. These areas should be avoided.

Additionally, obstacles between 2cm-10cm high should also be excluded from Landroid®'s operation area.



Trees

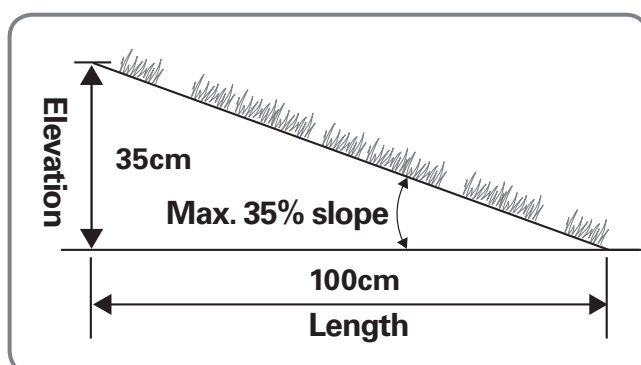
Roots emerging from the ground should be avoided to prevent damage.



Slopes

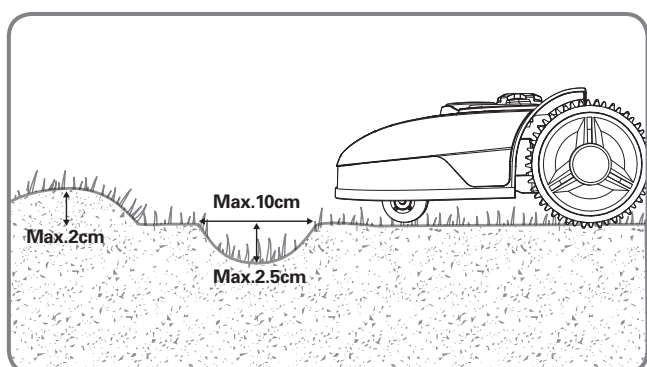
Your Landroid® has the ability to safely climb slopes up to 35% (20°), so just avoid areas steeper than this.

****How to calculate the slope of your lawn:**



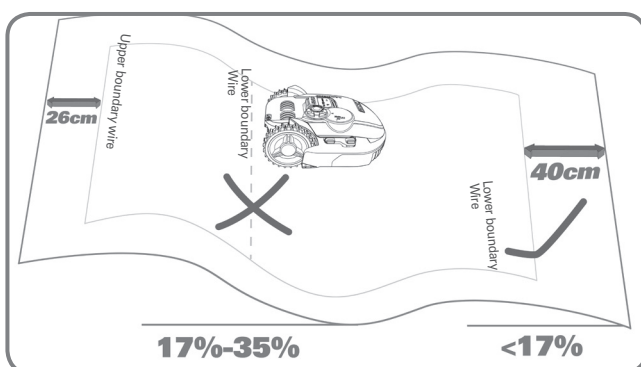
The slope would be:

$$\frac{35\text{cm (Elevation)}}{100\text{cm (Length)}} = 35\% \text{ (slope)}$$



Depressions and bumps

In the case of large bumps (higher than 2cm) or dips (wider than 10cm and deeper than 2.5cm), please determine if the blades would touch the ground or if Landroid® would get stuck. If this is the case, either make the inclines smoother or exclude these areas from Landroid®'s operation.

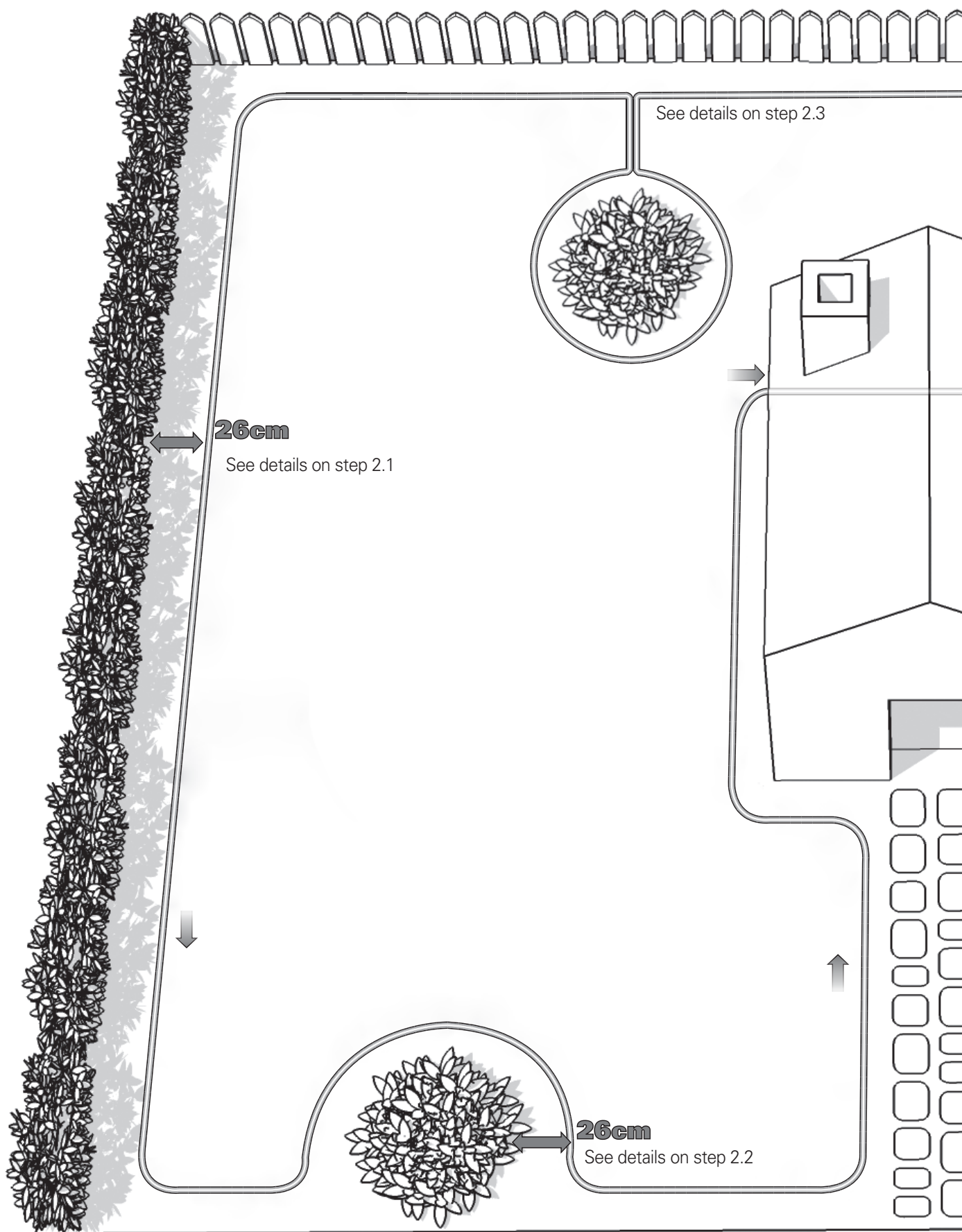


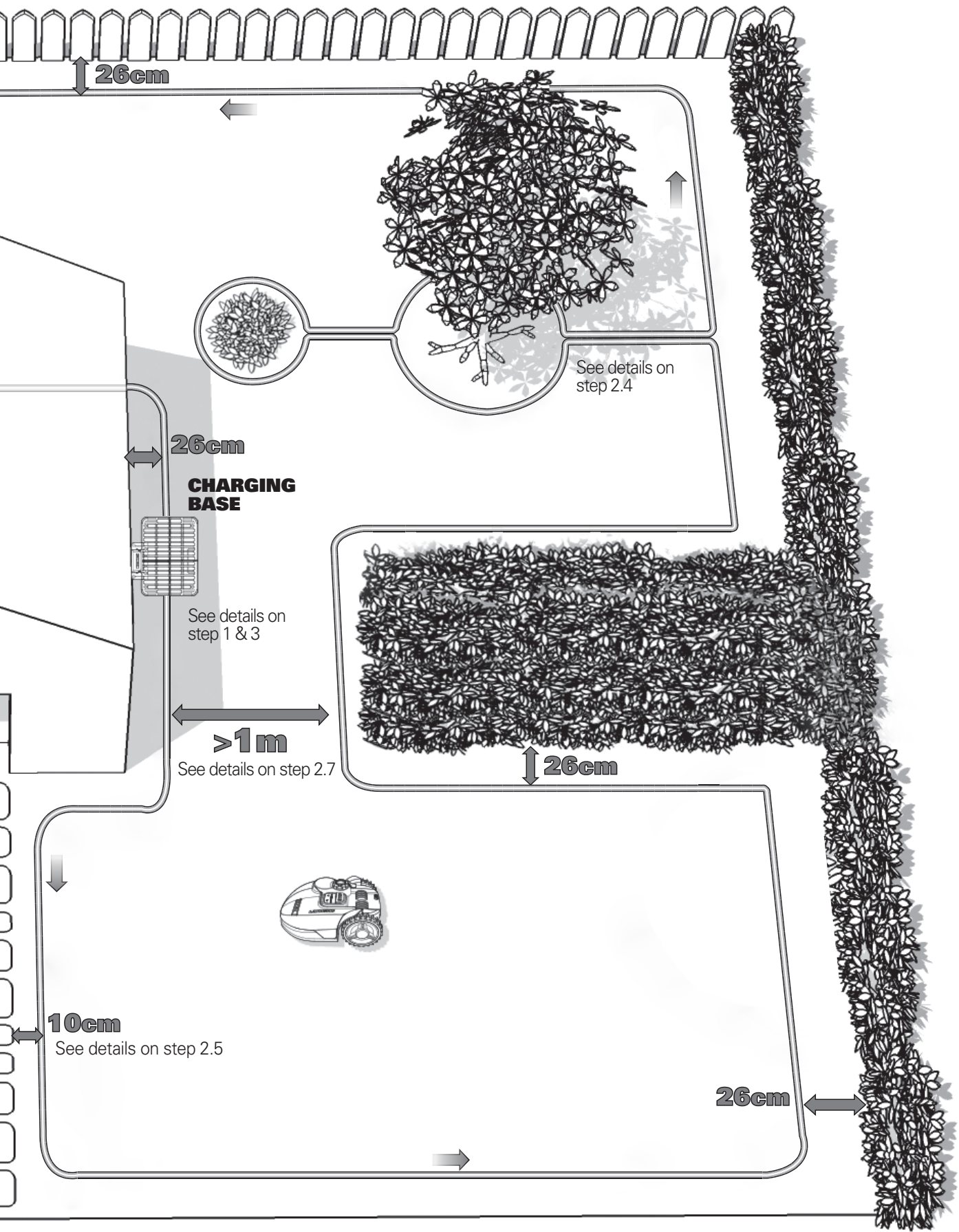
Placement of Boundary Wire on slopes

The Upper Boundary Wire should NOT be placed on slopes steeper than 35% (20°). The Upper Boundary Wire should be placed at a distance of 26cm from any obstacle. The Lower Boundary Wire should NOT be placed on slopes steeper than 17% (10°). The Lower Boundary Wire should be placed at least 40cm away from any obstacle when positioned on a slope that is 17%.

NOTE: The lower boundary wire cannot be laid across a slope steeper than 17% as Landroid® will slip and cross outside the wire, especially when the grass is wet.

Installation





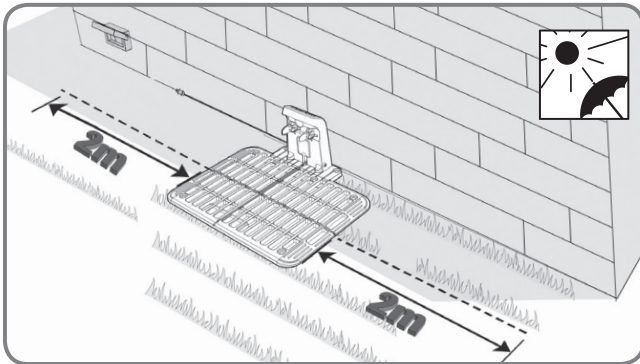
Your Landroid® needs to know where to mow. Using the boundary wire, you'll define Landroid's working area and form an invisible fence. This wire will also guide Landroid® to its charging base.

If your neighbor also uses a Landroid®, you must keep a space of at least 1 metres between your Boundary Wire and your neighbor's.

1. Placing the Charging Base

First, find a spot for the charging base. Take into account the position of your outdoor electrical outlet and the charging base's 10m power cord.

NOTE: Make sure the adaptor and electrical outlet are always kept in a dry place.

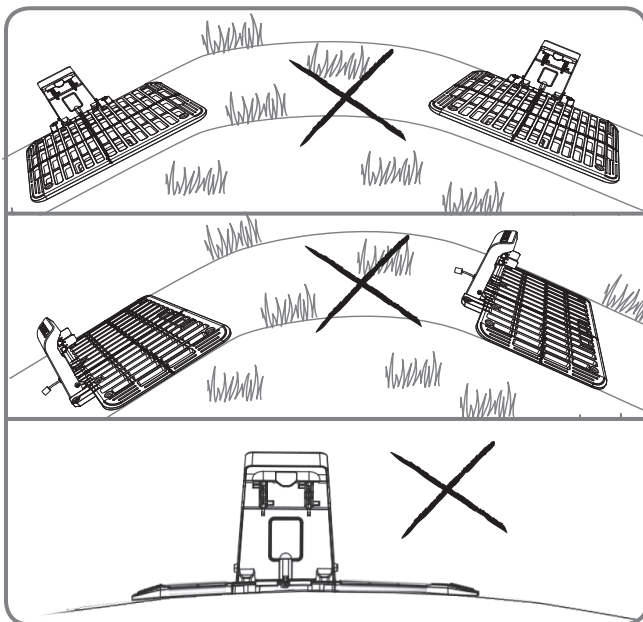


1.1

Landroid®'s charging base can be placed against the wall or fence, with the charging components facing your lawn. If possible, place the charging base in the shade, and batteries are better recharged in a cool place. When laying the boundary wire, leave at least 2m of straight wire with no obstacles on each side of the charging base.

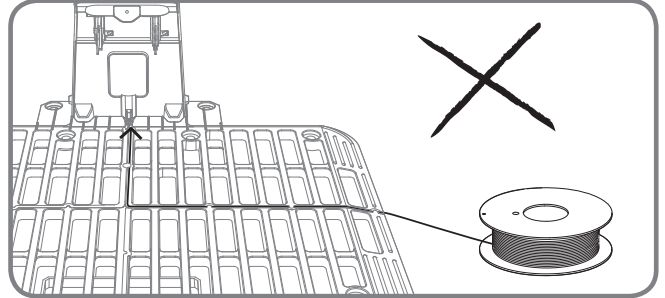
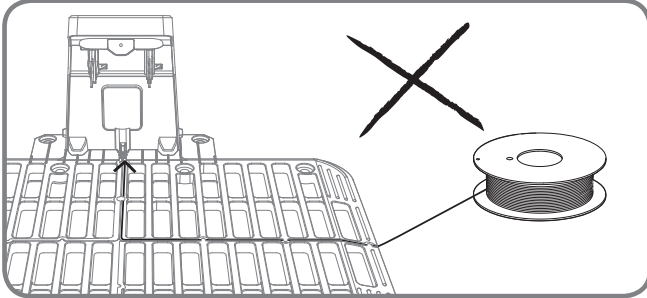
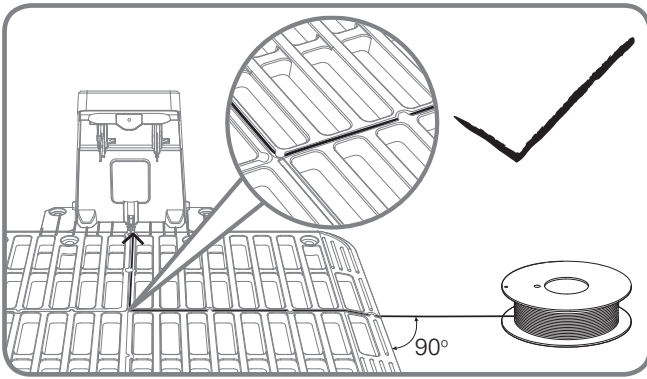
NOTE: Boundary wire on each side of the charging base should be straight for 2m without corners or obstacles to ensure proper docking.

The charging station must be positioned on relatively level ground. It must not be positioned on an inclined surface or anywhere that makes its plate bend.

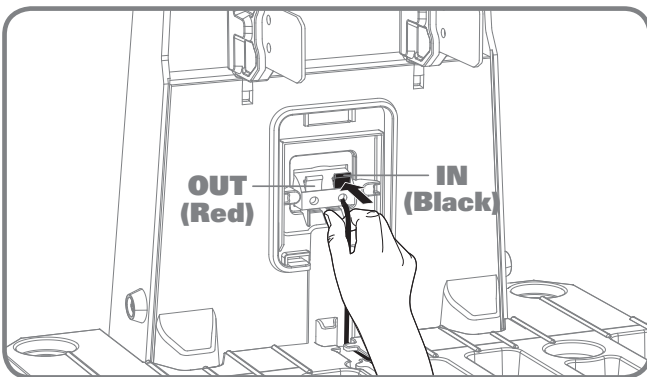
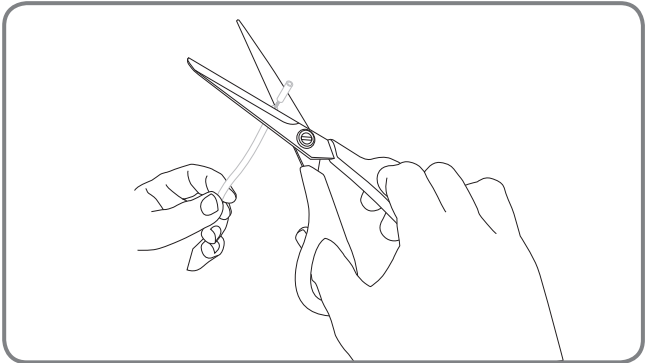
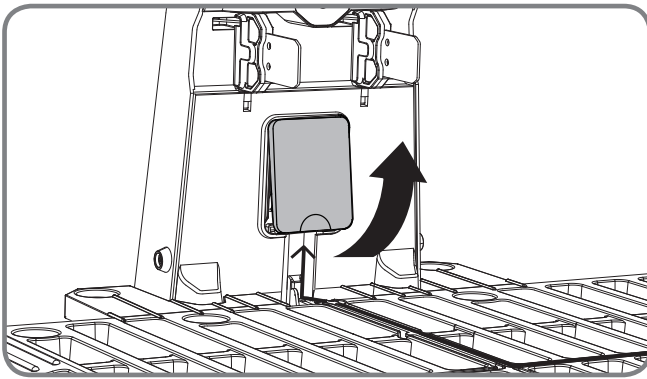


1.2

The charging base has special grooves to secure the boundary wire and to guide it to the wire terminals. Insert the boundary wire into the grooves, snap it securely in place.



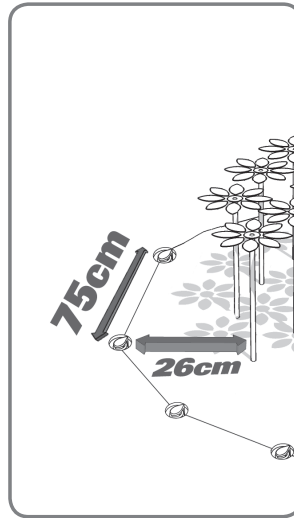
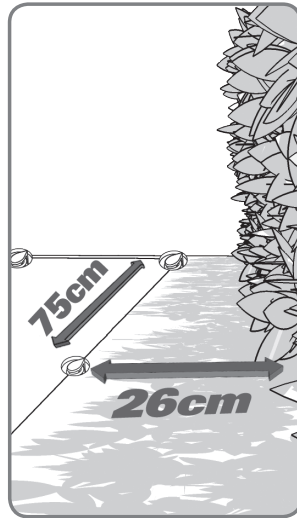
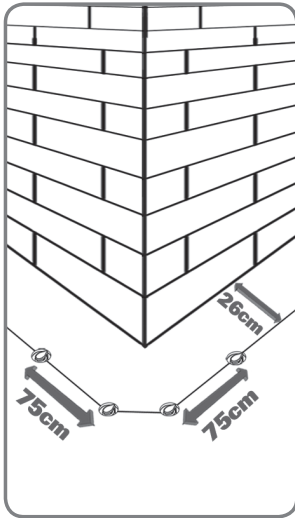
Take off the cover on the charging base, you will see an **IN**-wire terminal (Black) and an **OUT**-wire terminal (Red). Strip the plastic from the boundary wire to expose the metal, and connect the wire to the IN-wire terminal (Black) of the charging base.



NOTE: The extended boundary wire should not exceed 250m or it may cause signal problem. Make sure the wire is straight and tight all throughout.

2. Pegging Your Boundary Wire

Before pegging the boundary wire, it is recommended to use a normal lawn mower or a grass trimmer to cut the grass along the boundary. Then the wire can be laid as close as possible to the ground to prevent your Landroid® accidentally cutting the wire. The boundary wire is powered with a very low voltage totally safe to humans and pets.



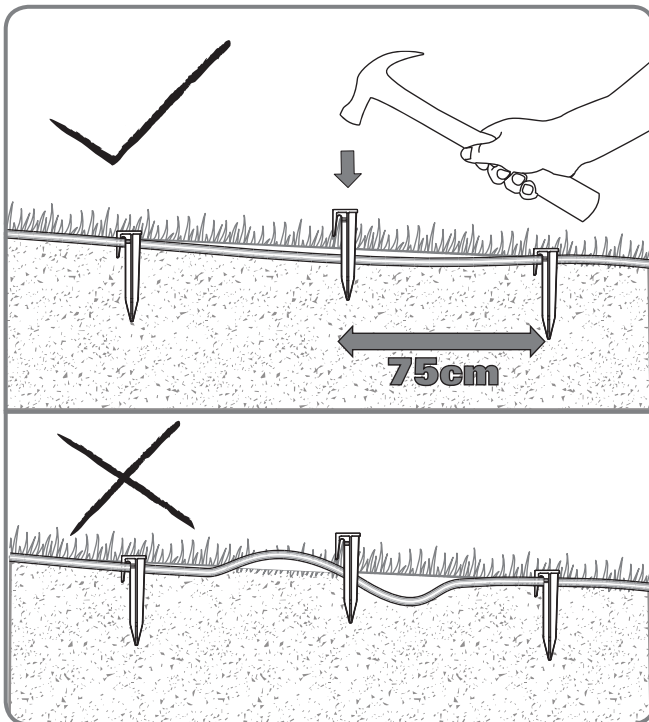
2.1

When laying the boundary wire, use the distance gauge to keep a 26cm* space between the wire and the perimeter.

Each wire peg should be placed around 75cm apart. Use the provided distance gauge to ensure proper installation.

NOTE: The maximum permitted length for the boundary wire is 250m.

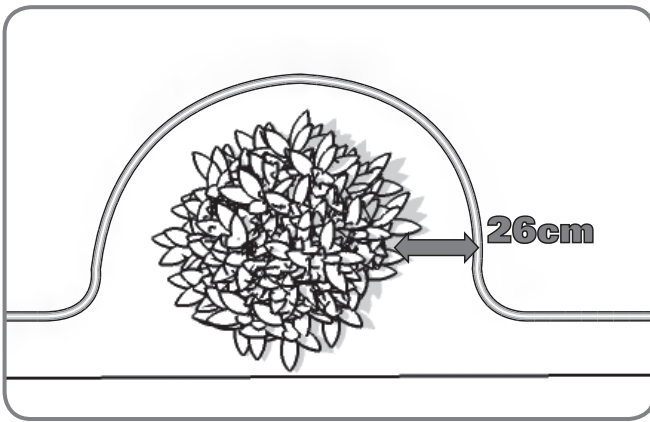
12
EN



NOTE: Keep the boundary wire straight and tight between the pegs. There should be no slack wire between the pegs.

2.2

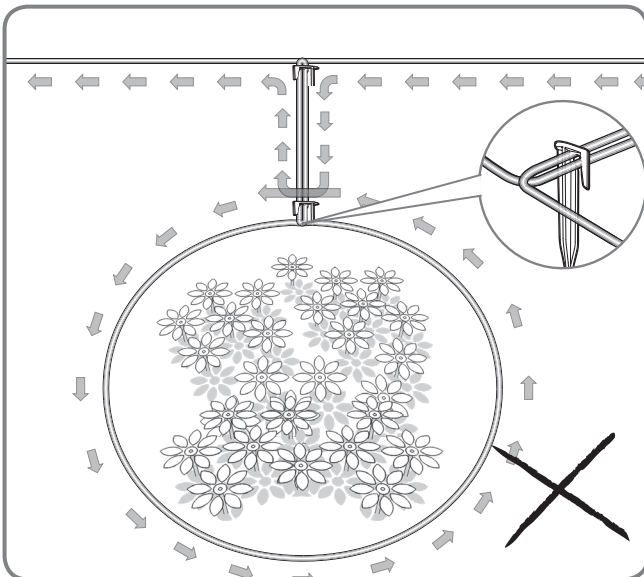
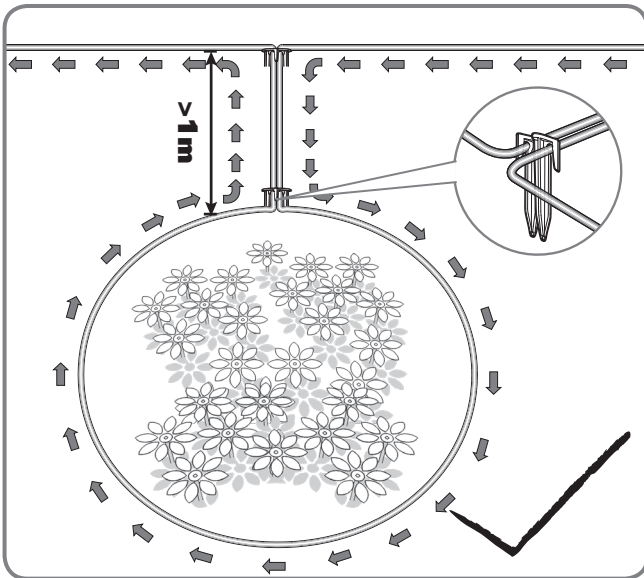
Features such as flowers or shrubs close to the mowing boundary should be excluded from the Landroid® mowing area.



2.3

If there is an area of your lawn where you don't want Landroid® to go, please follow the path as shown in the diagram as you peg the wire.

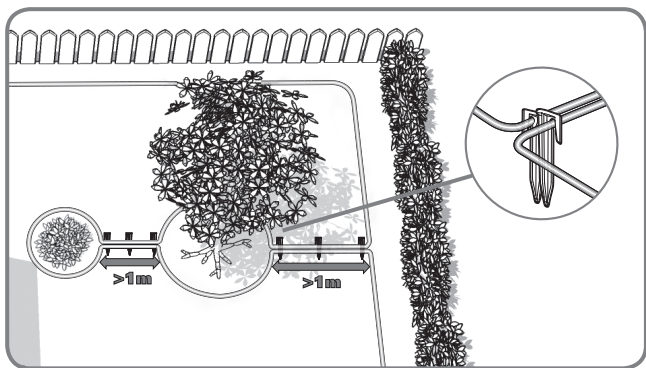
The wire should run from the perimeter of your garden to outline the area, then return back to the perimeter along the same path. The boundary wire between the area and perimeter of the garden should be closely laid together. During operation, the Landroid® will be able to freely pass over this part of the wire.



2.4

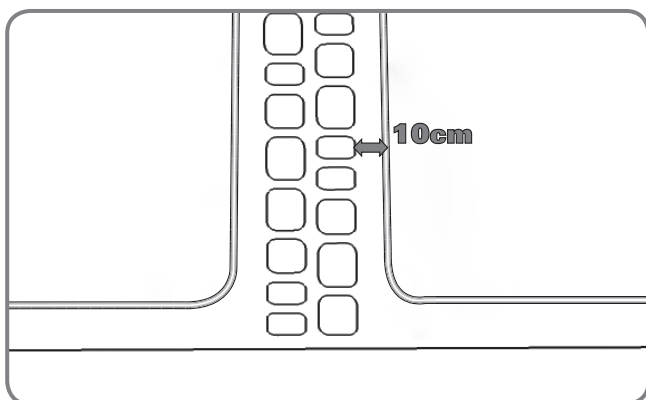
In the case of two islands that are close to each other, it would be convenient to lay out the wire as illustrated in the picture.

The Landroid® can travel freely over the boundary wire between the areas and the mowing boundary.



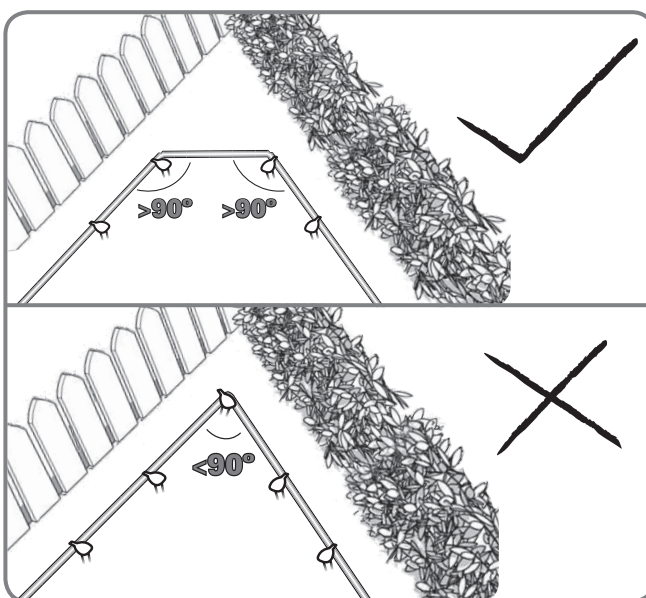
2.5

If an obstacle is level with ground and safe for Landroid® to run over, such as a driveway or sidewalk, then only 10cm of space is needed between it and the boundary wire.



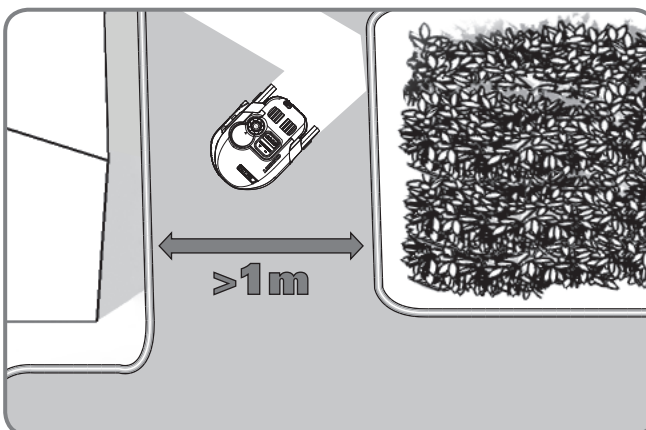
2.6

Ensure the BoundaryWire is perfectly straight in each corner, and all angles formed by the boundary wire are 90° or larger.



2.7

If your lawn has multiple areas connected to each other by a corridor, it should be at least 1 meter wide. If the corridor is too narrow for Landroid to navigate, please pick up Landroid® and bring it to the next area. Landroid® will mow without problem, but you have to bring it back to the charging base when the battery runs out.



2.8

Completing the setup of the boundary wire

After outlining your garden with the boundary wire, you are now ready to complete the boundary wire setting.

Repeat Step 1.2 to lead the boundary wire to the charging base.

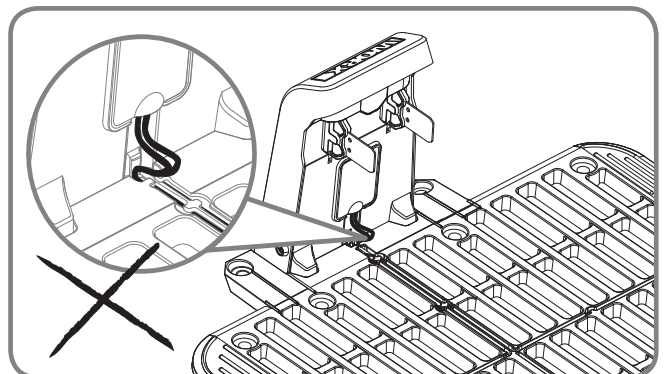
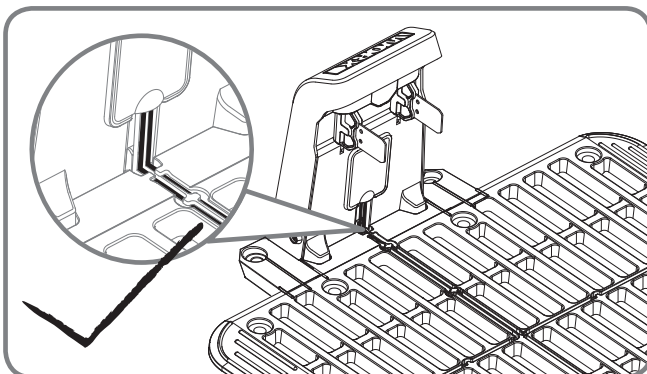
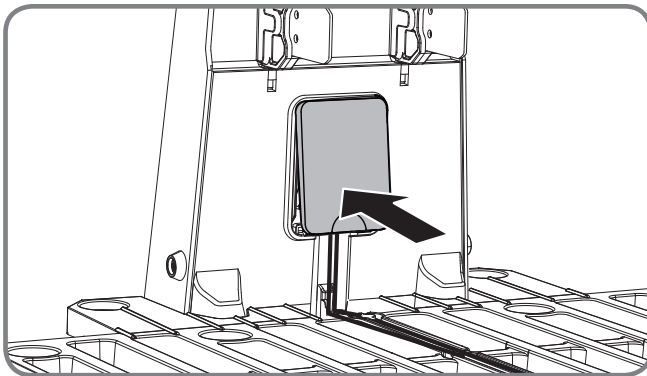
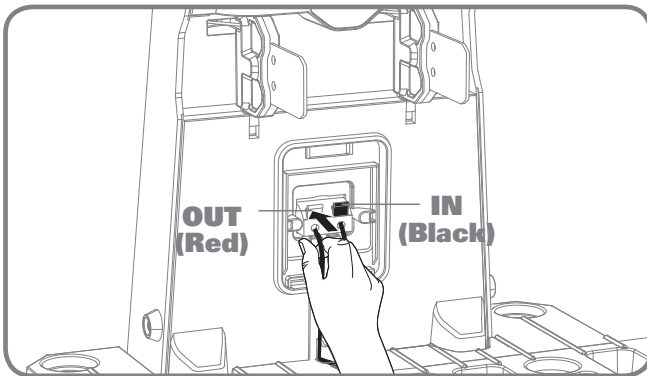
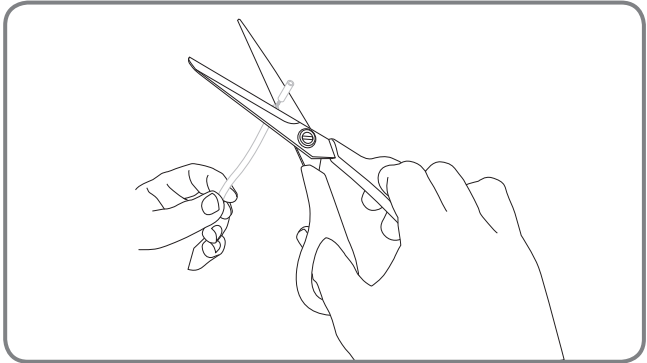
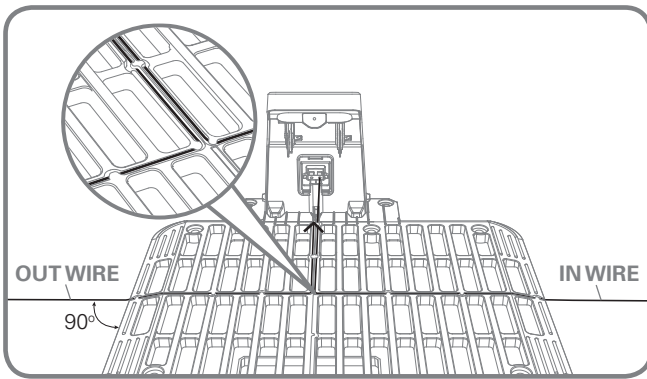
Cut the wire to a length that's appropriate to reach the wire terminal on the charging base. Strip the plastic from the end of the boundary wire.

NOTE: If you need to extend the boundary wire, please refer to "**Joining the Boundary Wire**" in Owner's Manual for instructions.

Connect the wire to the OUT-wire terminal (Red), and replace the terminal cover.

NOTE: The boundary wire must not be crossed when connecting to the charging base. The right-hand wire end must be connected to the IN-wire terminal on the charging base and the left-hand wire end to the OUT-wire terminal.

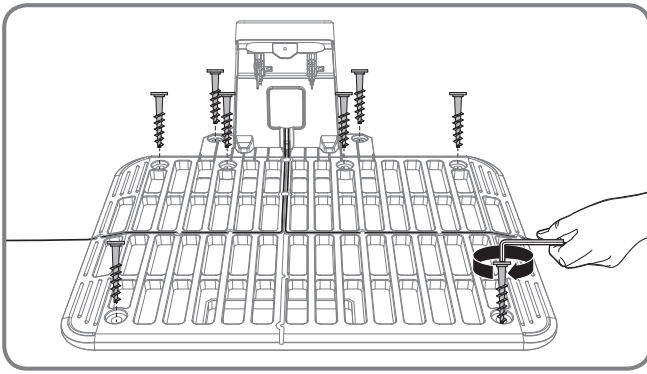
NOTE: The extended boundary wire should not exceed 250m or it may cause signal problem. Make sure the wire is straight and tight.



2.9

Securing your Charging Base

You can now permanently fix the charging base to the ground by tightening the supplied Base Fixing Nails with the supplied Hex key.

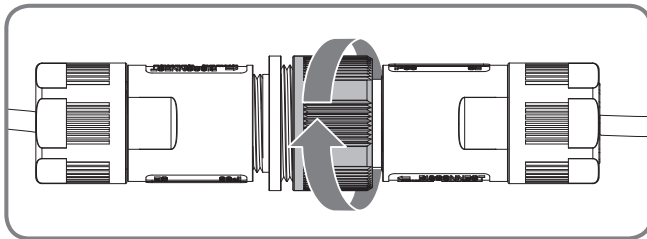
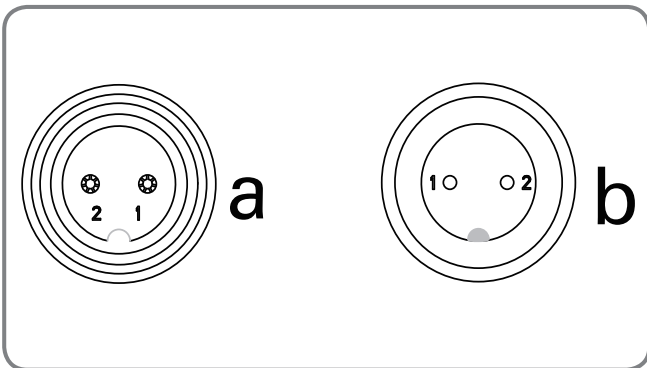


3. Connecting Your Charging Base to the Power Source

3.1

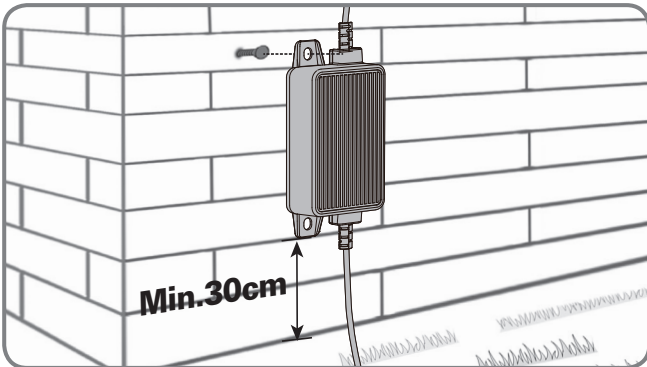
When connecting the charging base's power cord to the adapter, align the notch on the power cord (b) with the groove on the adapter (a).

If the power cord is in Landroid's working area, you may bury it if desired.



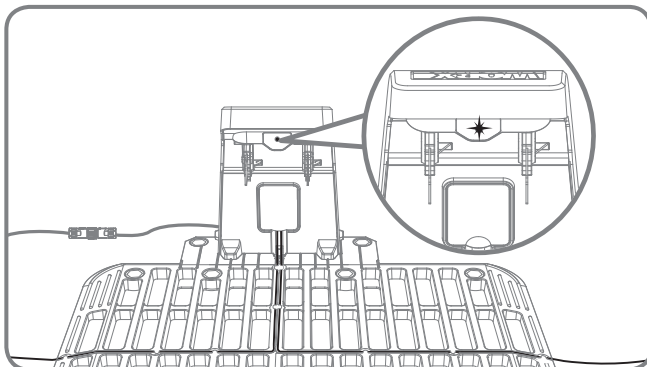
NOTE:

Select a dry, sheltered place to keep the adapter. We recommend hanging the adapter on a vertical surface, like a wall.



3.2

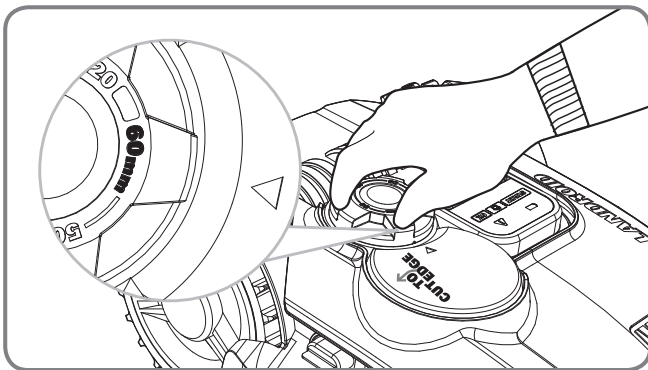
Connect the adapter to the electrical outlet. The LED on the charging base will turn on. Check the LED status in the grid on the next page to make sure the connection is OK.



LED light indicator	Status	Action
Light does not turn on	There is no power.	Confirm that the power cord is connected properly to the charger and that the charger is connected to a suitable power supply.
Green light on	Boundary wire is connected successfully; Landroid® is fully charged.	/
Green light flashing	Boundary wire is connected in wrong direction. The Boundary Wire isn't connected.	Check and reverse two ends of boundary wire. Confirm that there are no breaks in the boundary wire.
	Power supply is connected successfully, while the wire is connected unsuccessfully.	Check that the Boundary Wire has been connected correctly to the charging base. Confirm that there are no breaks in the boundary wire.
Red light on	Landroid® is auto charging.	/

4. Turn on and Test the Installation

This is the exciting part: turn on your Landroid for the first time.



4.1

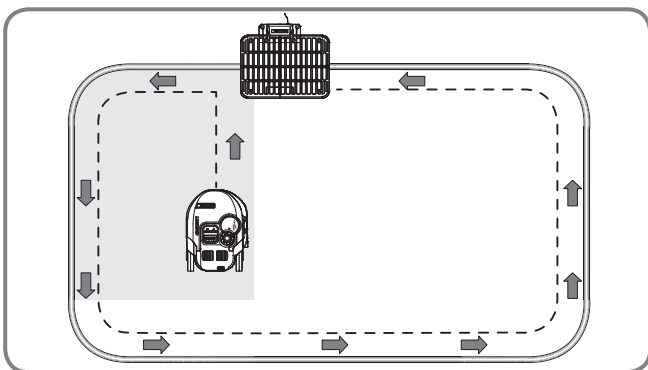
Adjust the cutting height to its maximum level (60mm) for the first mow. Adjust to your preferred grass height after the first cut.

Place your Landroid® inside the working area, a few meters away from the charging base. Turn on Landroid®. It will travel the entire boundary wire before returning to charging base. This allows you to check that the boundary wire is laid out properly.

Turn the main switch at the rear of Landroid® to Position "I". Wait until the battery indication light stays green. If Landroid® has low battery capacity, the battery indication light will stay red. Press "🏠" button and then press "OK" button.

17

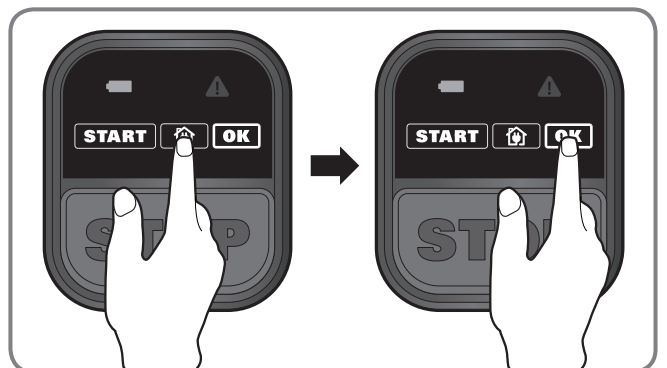
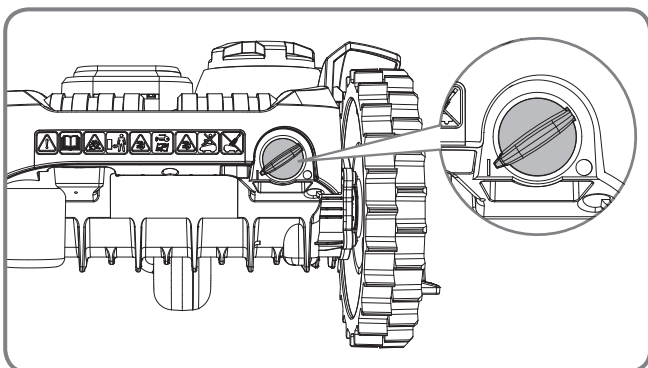
EN



4.2

Watch the Landroid® as it returns to the charging base and modify the position of the boundary wire if necessary. When Landroid® successfully returns to the charging base, the installation has been successfully completed!

NOTE: If the boundary wire is broken during the testing or you find you need to extend the boundary wire, please refer to "**Joining the Boundary Wire**" in Owner's Manual for instructions.





Warning

- If your Landroid® is outside its territory, it will not move and the error indication light flash red. Move it inside its territory and repeat step 4.
- If Landroid turns on, but the blade disc doesn't move, and the battery indication light is red, this is normal. Landroid needs to recharge. The blade disc will not rotate while automatically searching for the Charging Base.
- If your Landroid® is inside its territory but the error indication light is on and in red, please refer to "**Error Messages**" of Owner's Manual for solutions.
- Your Landroid® should always remain switched on. If you ever need to turn it off, make sure you place it within its boundary area before switching it back on again.
- Should your Landroid® stop operating, simply restart it and operate it as you normally would.

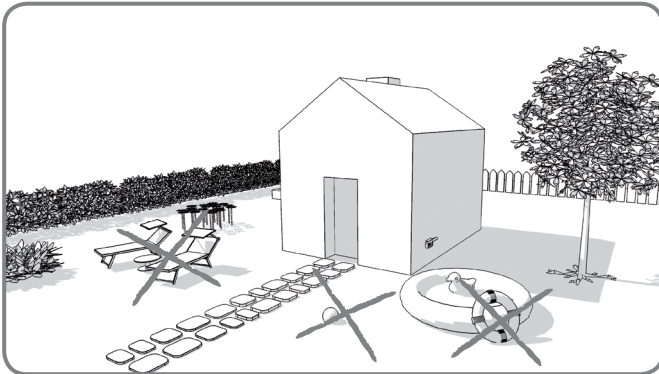
NOTE: Please refer to the Owner's Manual for more information.

Ready to go?

Landroid® is designed to maintain your grass at a perfect length during the season, but is not designed for deforesting a jungle.

Before it starts mowing for the first time,

1. Mow your lawn to the desired height.
2. Make sure Landroid's working area is clear of objects such as toys and branches...



Early next spring, let your Landroid® start mowing when the grass is still short to avoid a preliminary grass cut.

www.worxlandroid.com

WORX
it's your nature